



PCF40-XL

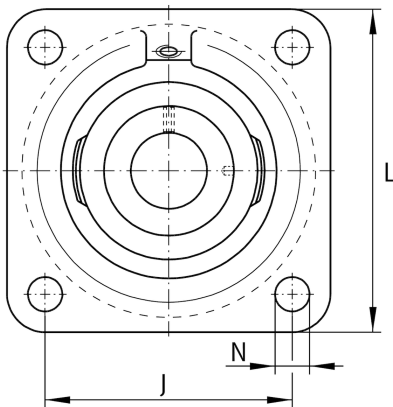
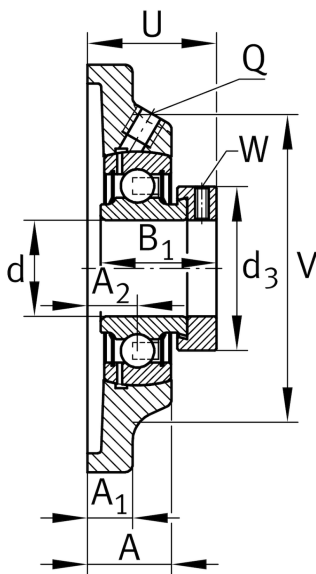
Flanged housing unit

Schaeffler ID:
0008319210000

Housing units PCF, four-bolt flanged housing units, cast iron, eccentric locking collar, P seals

X-life

Technical information



Main Dimensions & Performance Data

d	40 mm	Bore diameter
L	130 mm	Flange width
U	51 mm	Total height unit
C_r	32,500 N	Basic dynamic load rating, radial
C_{0r}	19,800 N	Basic static load rating, radial
C_{ur}	1,030 N	Fatigue load limit, radial
	1.77 kg	Weight

Mounting dimensions

J	101.5 mm	Distance fixing bore
N	14 mm	Fixing bore
n	4	Number of screwing holes

Dimensions

A_1	13 mm	Thickness of flange
A_2	18.3 mm	Distance raceway
Q	M6	Connection thread lubrication
d_3	58 mm	Outside diameter locking device

Additional information

GRAE40-XL-NPP-B Bearing designation