



RCJTZ30-XL

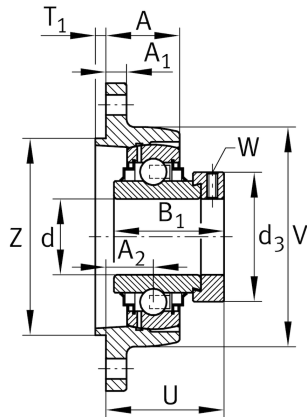
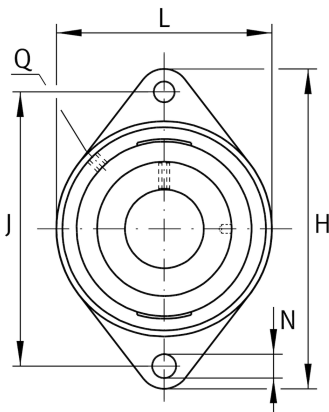
Flanged housing unit

Schaeffler ID:
0008316890000

Housing units RCJTZ, two-bolt flanged housing units, cast iron, centring spigot, eccentric locking collar, R seals

X-life

Technical information



Main Dimensions & Performance Data

| | | |
|----------|----------|-----------------------------------|
| d | 30 mm | Bore diameter |
| L | 83 mm | Flange width |
| H | 142 mm | Height flange |
| U | 47,2 mm | Total height unit |
| C_r | 19.500 N | Basic dynamic load rating, radial |
| C_{0r} | 11.300 N | Basic static load rating, radial |
| C_{ur} | 590 N | Fatigue load limit, radial |
| | 0,98 kg | Weight |

Mounting dimensions

| | | |
|-------|----------|---------------------------|
| J | 116,5 mm | Distance fixing bore |
| N | 11,5 mm | Fixing bore |
| T_1 | 3 mm | Height spigot |
| Z | 80 mm | Diameter spigot |
| | h8 | Diameter spigot clearance |
| n | 2 | Number of screwing holes |

Dimensions

| | | |
|-------|-------|---|
| A_1 | 12 mm | Thickness of flange |
| A_2 | 17 mm | Distance raceway |
| Q | M6 | Connection thread lubrication |
| d_3 | 44 mm | Outside diameter eccentric locking collar |

Additional information

GE30-XL-KRR-B

Bearing designation