

JBC

www.jbctools.com

INSTRUCTION MANUAL



GALE

Guide Kits for ALE250

This manual corresponds to the following references:

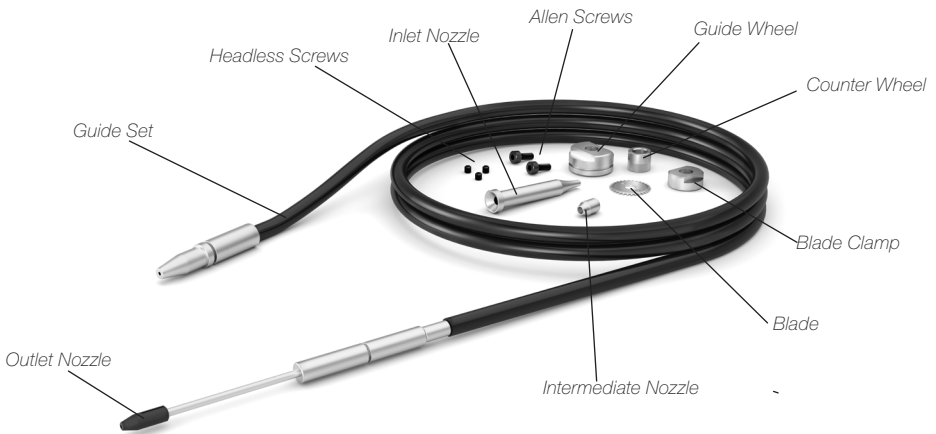
With Solder Wire Perforation:

- GALE08V-A** for wire Ø 0.8 mm / Ø 0.032 in
- GALE10V-A** for wire Ø 1.0 mm / Ø 0.040 in
- GALE12V-A** for wire Ø 1.2 mm / Ø 0.047 in
- GALE15V-A** for wire Ø 1.5 mm / Ø 0.059 in
- GALE16V-A** for wire Ø 1.6 mm / Ø 0.063 in

Without Solder Wire Perforation:

- GALE04D-A** for wire Ø 0.38 - 0.4 mm / Ø 0.015 - 0.016 in
- GALE05D-A** for wire Ø 0.46 - 0.56 mm / Ø 0.018 - 0.022 in
- GALE06D-A** for wire Ø 0.60 - 0.64 mm / Ø 0.023 - 0.025 in
- GALE07D-A** for wire Ø 0.70 - 0.78 mm / Ø 0.028 - 0.031 in
- GALE08D-A** for wire Ø 0.80 - 0.82 mm / Ø 0.032 - 0.033 in
- GALE10D-A** for wire Ø 0.90 - 1.10 mm / Ø 0.036 - 0.044 in
- GALE12D-A** for wire Ø 1.14 - 1.27 mm / Ø 0.045 - 0.051 in
- GALE15D-A** for wire Ø 1.50 - 1.57 mm / Ø 0.060 - 0.063 in
- GALE16D-A** for wire Ø 1.60 - 1.63 mm / Ø 0.063 - 0.065 in
- GALE18D-A** for wire Ø 1.8 mm / Ø 0.073 in

GALE Guide Kits for ALE250 with Solder Wire Perforation



Packing List

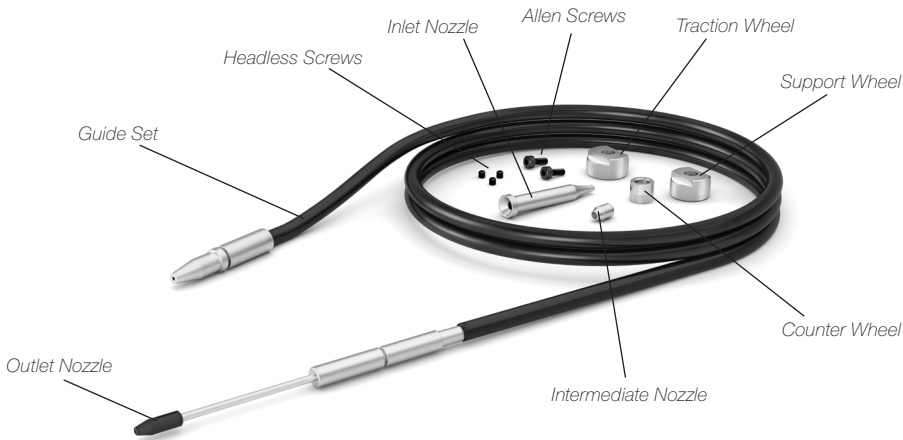
The following items are included:

Guide Set*	1 unit	Allen Screws*	2 units
Inlet Nozzle*	1 unit	Headless Screws*	3 units
Guide Wheel*	1 unit		
Counter Wheel*	1 unit		
Blade Clamp*	1 unit		
Blade*	1 unit		
Intermediate Nozzle*	1 unit		
Outlet Nozzle*	1 unit	Manual	1 unit



*see reference table on page 4

Ref. 0028365

GALE Guide Kits for ALE250 without Solder Wire Perforation**Packing List**

The following items are included:

Guide Set*	1 unit
Inlet Nozzle*	1 unit
Traction Wheel*	1 unit
Support Wheel*	1 unit
Counter Wheel*	1 unit
Intermediate Nozzle*	1 unit
Outlet Nozzle*	1 unit

Allen Screws	2 units
Headless screws	3 units



Manual	1 unit
---------------------	--------

Ref. 0028365

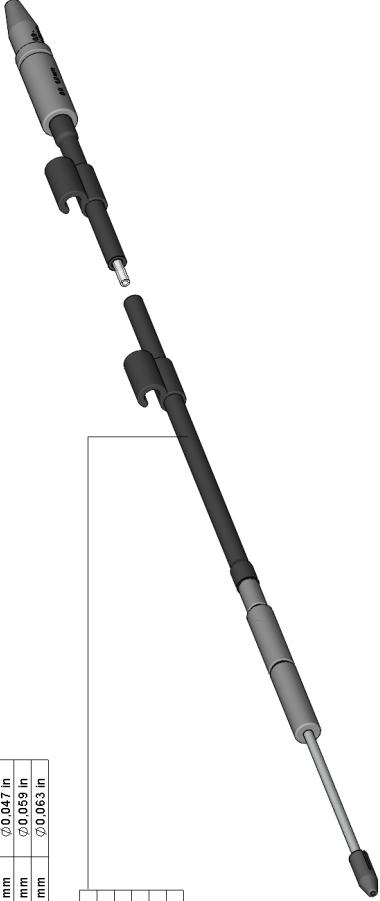
*see reference table on page 5

GALE Guide Kits for ALE250 with Solder Wire Perforation

GALEXXV-A WITH SOLDER WIRE PERFORATION

Wire diameter	
XX	Diameter of use
08	∅0.8 mm ∅0.032 in
10	∅1.0 mm ∅0.040 in
12	∅1.2 mm ∅0.047 in
15	∅1.5 mm ∅0.059 in
16	∅1.6 mm ∅0.063 in

Guide tube
GALE08V-A 0028358
GALE10V-A 0028359
GALE12V-A 0028360
GALE15V-A 0028361
GALE16V-A 0028363



SPARE PARTS

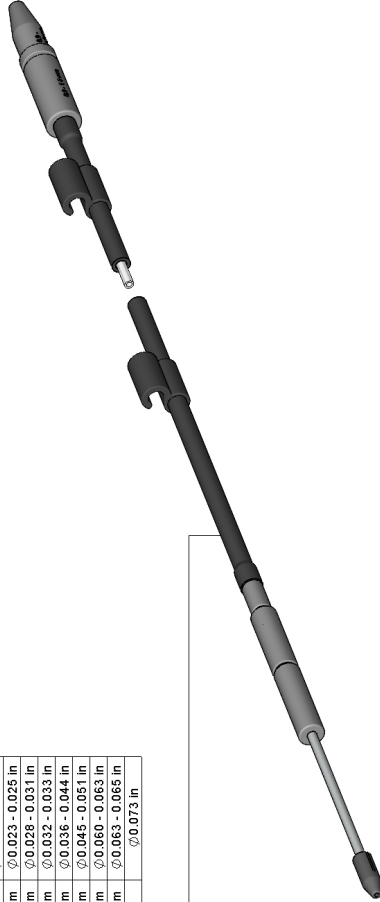
Wire	Outlet nozzle	Nozzle	Guide wheel	Blade	Blade clamp	Inlet nozzle	Intern. nozzle	Counter wheel	Screws	Threaded stud
GALE08V-A	0025270		0021696				0024955			
GALE10V-A	0021560		0021699				0024956			
GALE12V-A	0025272		0023738				0024957			
GALE15V-A	0025274		0019696				0024958			
GALE16V-A	0025276		0025922				0024959			
		0021158		0018638	0018632	0024955	0019170	0026693 (Supplied with SF)	0026695 (X2)	0026696 (X3)

GALE Guide Kits for ALE250 without Solder Wire Perforation

GALEXD-A WITHOUT SOLDER WIRE PERFORATION

XX	Wire diameter
	Range of use
04	∅0.38 - 0.40 mm ∅0.015 - 0.016 in
05	∅0.46 - 0.56 mm ∅0.018 - 0.022 in
06	∅0.60 - 0.64 mm ∅0.023 - 0.025 in
07	∅0.70 - 0.78 mm ∅0.028 - 0.031 in
08	∅0.80 - 0.82 mm ∅0.032 - 0.033 in
10	∅0.90 - 1.10 mm ∅0.036 - 0.044 in
12	∅1.14 - 1.27 mm ∅0.045 - 0.051 in
15	∅1.50 - 1.57 mm ∅0.060 - 0.063 in
16	∅1.60 - 1.63 mm ∅0.063 - 0.065 in
18	∅1.80 mm ∅0.073 in

Guide tube	
GALE04D-A	0028358
GALE05D-A	
GALE06D-A	
GALE07D-A	0028359
GALE08D-A	
GALE10D-A	0028360
GALE12D-A	0028361
GALE15D-A	0028362
GALE16D-A	
GALE18D-A	0028363



SPARE PARTS

	Wire ∅	Outlet nozzle	Nozzle	Traction wheel	Support wheel	Inlet nozzle	Interm. nozzle	Counter/wheel	Screws	Threaded stud
GALE04D-A										
GALE05D-A		0025268		0020345	0019520	0019520	0024954	0026693		
GALE06D-A		0022994		0019519			0025291	0026693 (Supplied with SF)	0026695 (X2)	0026696 (X3)
GALE07D-A		0025289		0019480		0018632	0024955			
GALE08D-A		0025270		0019479		0019170	0024956			
GALE10D-A	0021560					0019171	0024957			
GALE12D-A	0025272			0019481		0024233	0024958			
GALE15D-A	0025274			0028367		0024234	0024959	0026694		
GALE16D-A	0025276									
GALE18D-A	0021659									

Changing Guide Kits

Changing Wheels and Blade

For this operation, disconnect the device from the mains. Disconnect the tool from the control unit and open its cover.

First disassemble the guide tube (6), the nozzles (2)+(3), then the wheels, blade and clamp (4)+(5). Disassemble the counter wheel (1). Use the allen key and the spanner, provided with the station.

Assembly with Solder Wire Perforation:

Assemble the counter wheel (1).

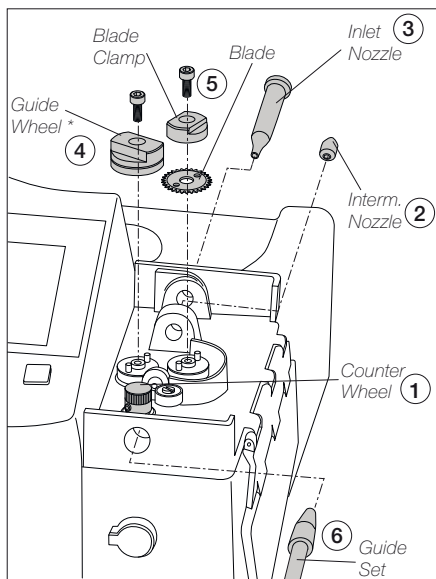
Insert the intermediate nozzle (2) until its collar rests against the housing and tighten the screw.

Assemble the inlet nozzle (3).

Assemble the guide wheel* (4) and tighten the screw.

Assemble the blade first, then mount the blade clamp (5) onto the same axis and tighten the screw. **Caution:** handle the blade carefully to avoid injury.

Insert the guide set (6).



Assembly without Solder Wire Perforation:

Assemble the counter wheel (1).

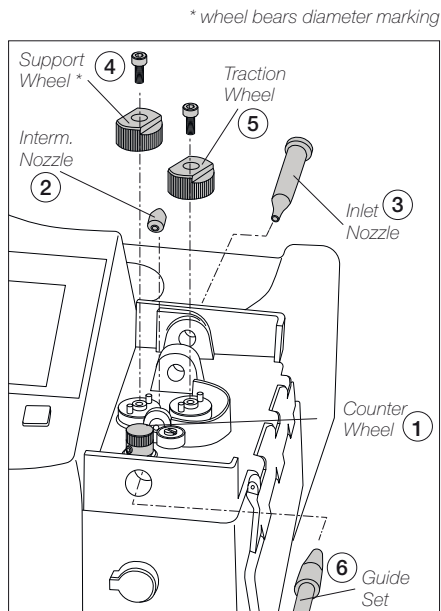
Insert the intermediate nozzle (2) until its collar rests against the housing and tighten the screw.

Assemble the inlet nozzle (3).

Assemble the support wheel* (4) onto the axis and tighten the screw.

Assemble the traction wheel (5) and tighten the screw.

Insert the guide set (6).



Replacing Guide Sets

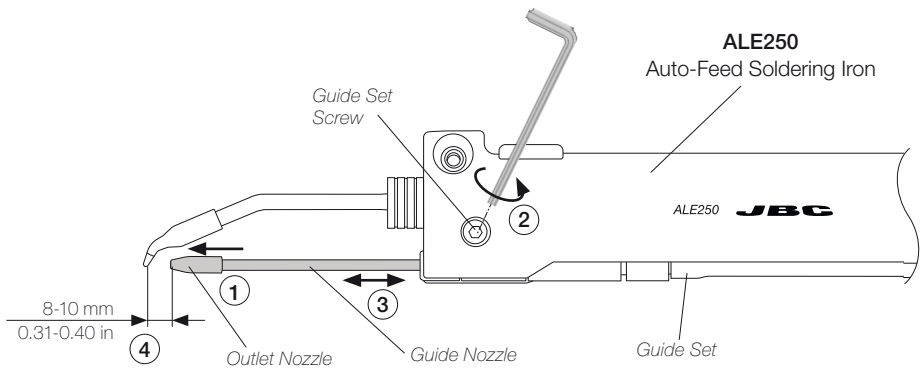
Once the tool is disconnected from the control unit and has cooled down, follow these instructions:

Disassemble the outlet nozzle (1) from the guide set.

Loosen the guide set screw (2), take out the guide set (3) and insert the desired one.

Put the outlet nozzle (1) back on again. Leave a gap of 8 to 10 mm (0.31 to 0.39 in) between the cartridge tip and the outlet nozzle (4).

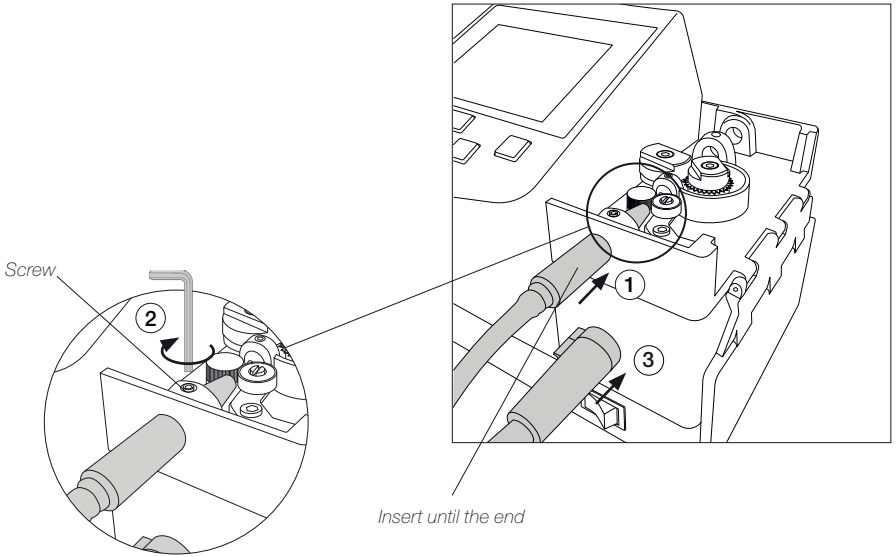
Once the guide nozzle length is adjusted tighten the guide set screw (2).



Tool Assembly

Connect the tool to the control unit following this steps:

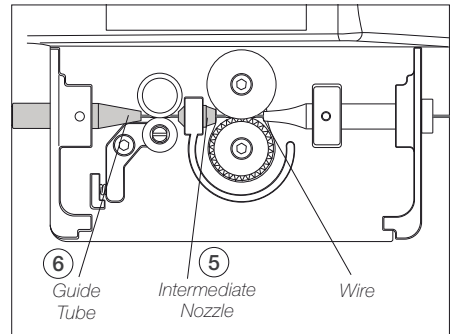
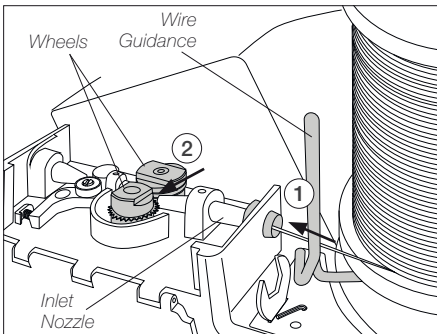
Insert and push the guide nozzle until the end (1) and tighten the screw (2). Then connect the tool connector (3).




Solder Wire Loading

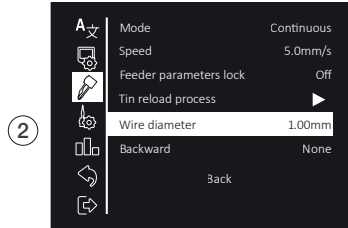
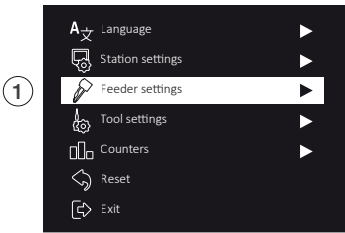
Pass the solder wire through the wire guidance and introduce the solder wire into the inlet nozzle (1) until it reaches the wheels (2).

Make sure the wire passes through the Intermediate Nozzle (5) and enters into the Guide Tube (6).





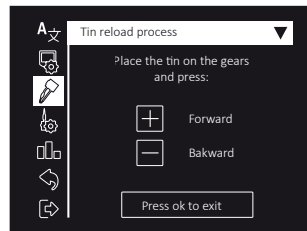
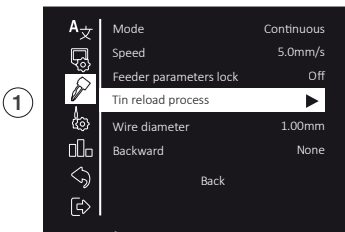
Main Menu Screen

Access to Main Menu by , select “Feeder Settings” (1) and then “Wire Diameter” (2) to adjust the value to the current solder wire diameter.



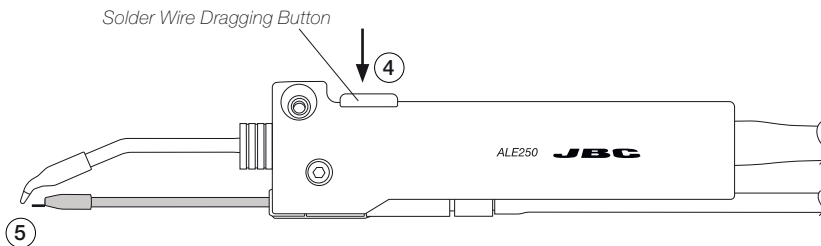
Tin Reloaded Process Screen

Select “Tin Reloaded Process” (1) and then use  to feed the solder wire and advance until it comes out through the outlet nozzle. Keep  pressed and after a while the wire will advance faster.



Solder Wire Feeding

Forward the solder wire by pushing the dragging button (4) until the wire comes out of the tip (5).



To feed the solder wire, alternatively the pedal P405 can be used. The pedal should be plugged in at the rear of the feeder control unit into the pedal connector.



Specifications

GALE

Guide Kits for ALE250

With Perforation:

Ref.: **GALE08V-A** wire \varnothing 0.8 mm / \varnothing 0.032 in
 Ref.: **GALE10V-A** wire \varnothing 1.0 mm / \varnothing 0.040 in
 Ref.: **GALE12V-A** wire \varnothing 1.2 mm / \varnothing 0.047 in
 Ref.: **GALE15V-A** wire \varnothing 1.5 mm / \varnothing 0.059 in
 Ref.: **GALE16V-A** wire \varnothing 1.6 mm / \varnothing 0.063 in

Total Net Weight:

108 g / 0.24 lb
 108 g / 0.24 lb
 94 g / 0.21 lb
 94 g / 0.21 lb
 94 g / 0.21 lb

Package Weight:

200 g / 0.44 lb
 200 g / 0.44 lb
 186 g / 0.41 lb
 186 g / 0.41 lb
 186 g / 0.41 lb

Without Perforation:

GALE04D-A for wire \varnothing 0.38 - 0.4 mm / \varnothing 0.015 - 0.016 in
GALE05D-A for wire \varnothing 0.46 - 0.56 mm / \varnothing 0.018 - 0.022 in
GALE06D-A for wire \varnothing 0.60 - 0.64 mm / \varnothing 0.023 - 0.025 in
GALE07D-A for wire \varnothing 0.70 - 0.78 mm / \varnothing 0.028 - 0.031 in
GALE08D-A for wire \varnothing 0.80 - 0.82 mm / \varnothing 0.032 - 0.033 in
GALE10D-A for wire \varnothing 0.90 - 1.10 mm / \varnothing 0.036 - 0.044 in
GALE12D-A for wire \varnothing 1.14 - 1.27 mm / \varnothing 0.045 - 0.051 in
GALE15D-A for wire \varnothing 1.50 - 1.57 mm / \varnothing 0.060 - 0.063 in
GALE16D-A for wire \varnothing 1.60 - 1.63 mm / \varnothing 0.063 - 0.065 in
GALE18D-A for wire \varnothing 1.8 mm / \varnothing 0.073 in

104 g / 0.23 lb
 104 g / 0.23 lb
 104 g / 0.23 lb
 104 g / 0.23 lb
 104 g / 0.23 lb
 90 g / 0.20 lb
 90 g / 0.20 lb
 90 g / 0.20 lb
 90 g / 0.20 lb
 90 g / 0.20 lb

196 g / 0.43 lb
 196 g / 0.43 lb
 196 g / 0.43 lb
 196 g / 0.43 lb
 196 g / 0.43 lb
 182 g / 0.40 lb
 182 g / 0.40 lb
 182 g / 0.40 lb
 182 g / 0.40 lb
 182 g / 0.40 lb

- Guide Tube Length: 126 cm / 49.6 in

- Package Dimensions: 245 x 185 x 45 mm
 (L x W x H) 9.65 x 7.28 x 1.77 in

Complies with CE standards.
 ESD safe



Warranty

JBC's 2 year warranty covers this equipment against all manufacturing defects, including the replacement of defective parts and labour.

Warranty does not cover product wear or misuse.

In order for the warranty to be valid, equipment must be returned, postage paid, to the dealer where it was purchased.

Get 1 extra year JBC warranty by registering here:

**<https://www.jbctools.com/productregistration/>
within 30 days of purchase.**



This product should not be thrown in the garbage.

In accordance with the European directive 2012/19/EU, electronic equipment at the end of its life must be collected and returned to an authorized recycling facility.

