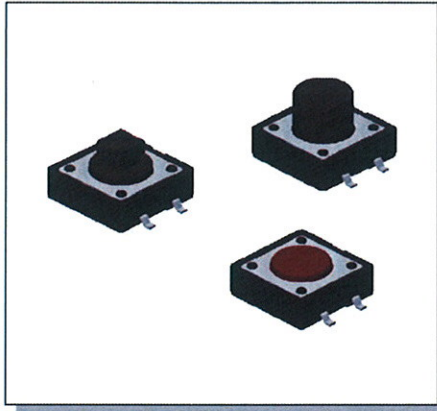
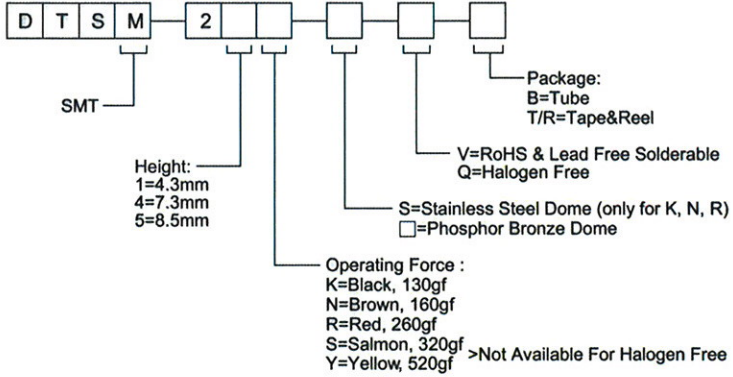


DTSM-2 SERIES

12x12 Surface Mounting Type



HOW TO ORDER



SPECIFICATION

MECHANICAL

Operation Force: 520 ± 130gf Yellow(Y)
 320 ± 80gf Salmon (S)
 260 ± 50gf Red (R)
 160 ± 50gf Brown (N)

Stroke: 0.35 ± 0.1mm

ENVIRONMENTAL

Operation Temperature: -25°C to +70°C
 Storage Temperature: -30°C to +80°C

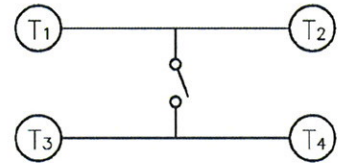
ELECTRICAL

Electrical Life:
 *Phosphor Bronze Dome
 100,000 cycles for 520gf, 320gf, 260gf
 200,000 cycles for 160gf
 *Stainless Steel Dome
 300,000 cycles for 520gf, 320gf
 500,000 cycles for 260gf
 1,000,000 cycles for 100gf, 160gf
 Rating: 50mA, 12VDC

PACKAGE

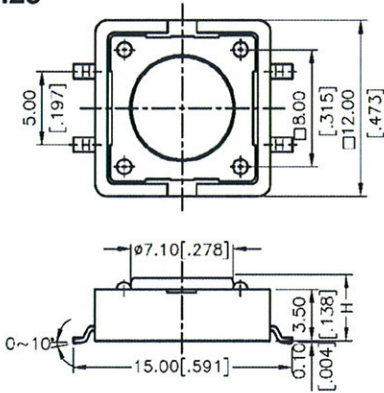
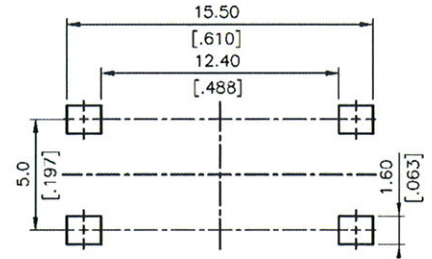
DTSM-2: 40 pcs/tube
 DTSM-21: 700 pcs/reel
 DTSM-24: 500 pcs/reel
 DTSM-25: 400 pcs/reel

CIRCUIT



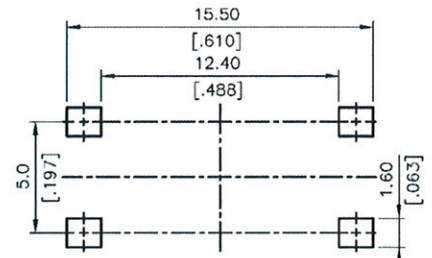
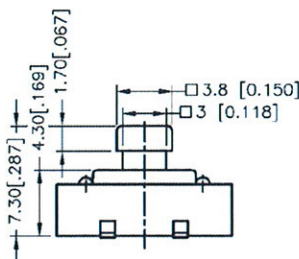
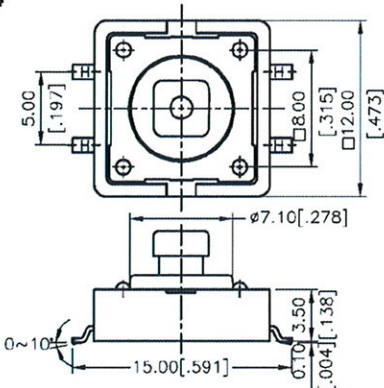
TACT SWITCH

DTSM-21.25

P.C.B. LAYOUT

DTSM-24



P.C.B. LAYOUT