



DRA1 SERIES | CMX DC OUTPUT

DIN RAIL MOUNT



Features

- 10mm Single Channel DIN Rail Mount SSR Assembly
- AC Ratings up to 380 VAC and 10 Amps
- 3-15 VDC, 15-32VDC, 18-36 VAC and 90-140 VAC Control
- Cage style screw terminals for easy connection
- Fits standard 35mm DIN rail
- Includes LED Status Indicator (DC Control Only)



PRODUCT SELECTION

Control Voltage	3A	5A	6A	10A ⁽⁵⁾	10A ⁽⁵⁾
3 - 10 VDC	DRA1-CMX200D3	DRA1-CMX60D5	DRA1-CMX100D6	DRA1-CMX60D10	DRA1-CMX100D10
20 - 28 VDC	DRA1-CMXE200D3	DRA1-CMXE60D5	DRA1-CMXE100D6	DRA1-CMXE60D10	DRA1-CMXE100D10



SPECIFICATIONS

Output ⁽¹⁾

Description	3A	5A	6A	10A ⁽⁵⁾	10A ⁽⁵⁾
Operating Voltage [VAC]	1 - 200	1 - 60	1 - 100	1 - 60	1 - 100
Maximum Off-State Leakage Current @ Rated Voltage [μ Adc]	100	100	100	100 ⁽²⁾	100
Maximum Load Current [A] ⁽³⁾	3	5	6	10	10
Minimum Load Current [A]	0	0	0	0	0
Maximum Off-State Resistance [Ohm]	0.2	0.1	0.04	0.018	0.01
Maximum Surge Current (10msec) [Apk]	30	60	100	100	100
Maximum On-State Voltage Drop @ Rated Current [VDC]	0.6	0.5	0.24	0.18	0.1

Input ⁽¹⁾

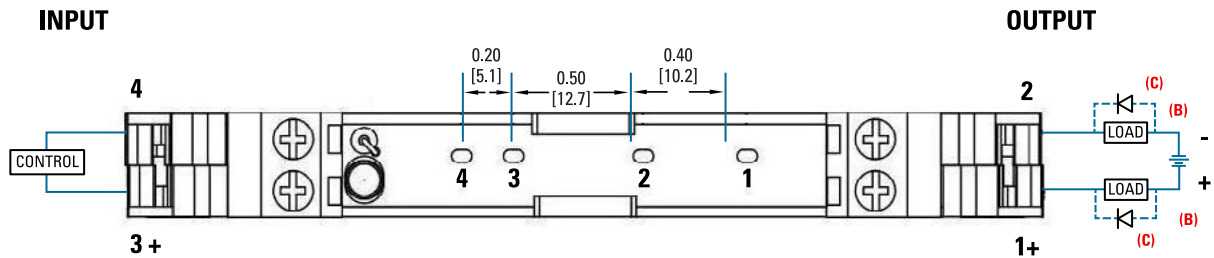
Description	DRA1-CMX	DRA1-CMXE
Control Voltage Range	3.0 - 10.0 VDC	20.0 - 28.0 VDC
Must Turn-On Voltage	3.0 VDC	3.0 VDC
Must Turn-Off Voltage	1.0 VDC	1.0 VDC
Typical Input Current	15 mAdc @ 5 Vdc	12 mAdc @ 20 Vdc
Nominal Input Impedance	300 Ohm	240 Ohm
Maximum Turn-On Time [msec] ⁽⁵⁾	1	1
Maximum Turn-Off Time [µsec]	300	300

General ⁽¹⁾

Description	Parameters
Dielectric Strength ⁽⁴⁾	2500 Vrms
Maximum Insulation Resistance (@ 500 VDC) ⁽⁴⁾	10 ⁹ Ohm
Maximum Capacitance, Input/Output	15 pF
Ambient Operating Temperature Range	-20 to 80°C
Ambient Storage Temperature Range	-20 to 125°C
Weight (Typical)	0.063 oz (28.6 g)
Encapsulation	Thermally Conductive Epoxy



WIRING DIAGRAMS ^(A)



^(A) Wiring diagram is identical for each individual section whether it is a single or four channel assembly.

^(B) Load can be placed on either side of "Power"

^(C) DC inductive loads must be diode suppressed to prevent damage to SSR.

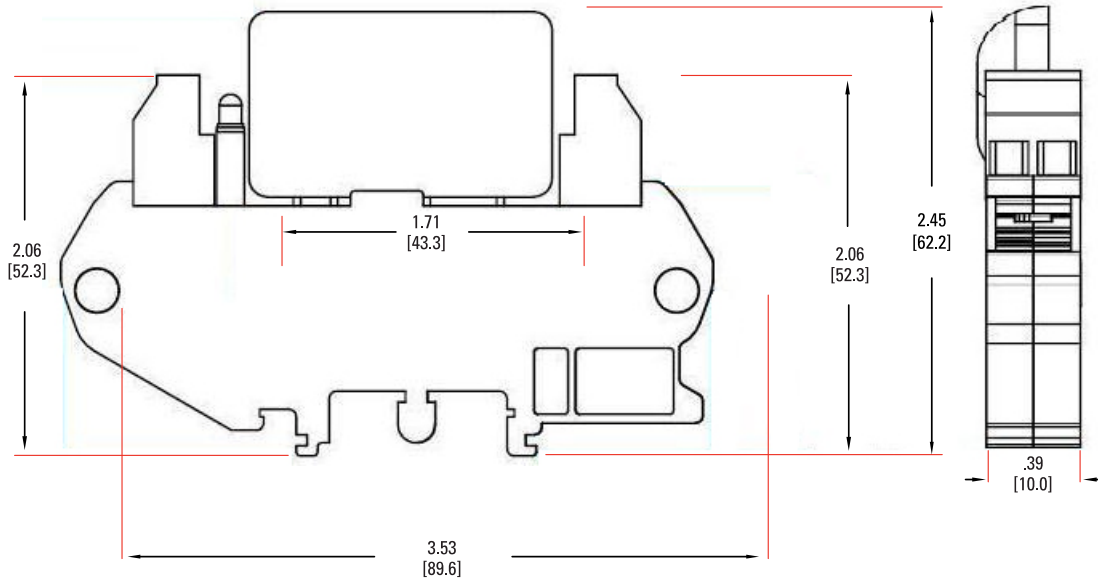
For additional information or specific questions, contact Sensata Technical Support.



MECHANICAL SPECIFICATIONS

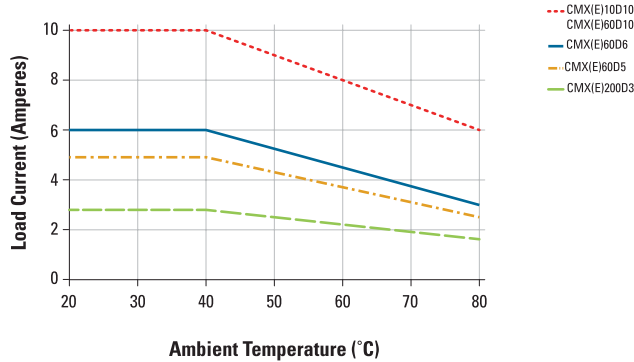
Tolerances: ± 0.02 in / 0.5 mm
All dimensions are in inches [millimeters]

CX/CMX Series SSR



THERMAL DERATE INFORMATION

DRA1-CMX Derating Curve



GENERAL NOTES

- (1) All parameters at 25 °C unless otherwise specified.
- (2) At 55 Vdc.
- (3) See Derating Chart on page 4.
- (4) Dielectric and insulation resistance is measured between input and output
- (5) Steady state load Current exceeding 10 amps will damage socket.

For additional information or specific questions, contact Sensata Technical Support.



AGENCY APPROVALS & CERTIFICATIONS



- Designed in accordance with the requirements of IEC 62314
- UL: E116950 (3, 6, and 10 CMX Relays Only)

WARNINGS



RISK OF MATERIAL DAMAGE AND HOT ENCLOSURE

- The product's side panels may be hot, allow the product to cool before touching
- Follow proper mounting instructions including torque values
- Do not allow liquids or foreign objects to enter this product

Failure to follow these instructions can result in serious injury, or equipment damage.



HAZARD OF ELECTRIC SHOCK, EXPLOSION OR ARC FLASH

- Disconnect all power before installing or working with this equipment
- Verify all connections and replace all covers before turning on power

Failure to follow these instructions will result in death or serious injury.

Sensata Technologies, Inc. ("Sensata") data sheets are solely intended to assist designers ("Buyers") who are developing systems that incorporate Sensata products (also referred to herein as "components"). Buyer understands and agrees that Buyer remains responsible for using its independent analysis, evaluation and judgment in designing Buyer's systems and products. Sensata data sheets have been created using standard laboratory conditions and engineering practices. Sensata has not conducted any testing other than that specifically described in the published documentation for a particular data sheet. Sensata may make corrections, enhancements, improvements and other changes to its data sheets or components without notice.

Buyers are authorized to use Sensata data sheets with the Sensata component(s) identified in each particular data sheet. HOWEVER, NO OTHER LICENSE, EXPRESS OR IMPLIED, BY ESTOPPEL OR OTHERWISE TO ANY OTHER SENSATA INTELLECTUAL PROPERTY RIGHT, AND NO LICENSE TO ANY THIRD PARTY TECHNOLOGY OR INTELLECTUAL PROPERTY RIGHT, IS GRANTED HEREIN. SENSATA DATA SHEETS ARE PROVIDED "AS IS". SENSATA MAKES NO WARRANTIES OR REPRESENTATIONS WITH REGARD TO THE DATA SHEETS OR USE OF THE DATA SHEETS, EXPRESS, IMPLIED OR STATUTORY, INCLUDING ACCURACY OR COMPLETENESS. SENSATA DISCLAIMS ANY WARRANTY OF TITLE AND ANY IMPLIED WARRANTIES OF MERCHANTABILITY, FITNESS FOR A PARTICULAR PURPOSE, QUIET ENJOYMENT, QUIET POSSESSION, AND NON-INFRINGEMENT OF ANY THIRD PARTY INTELLECTUAL PROPERTY RIGHTS WITH REGARD TO SENSATA DATA SHEETS OR USE THEREOF.

All products are sold subject to Sensata's terms and conditions of sale supplied at www.sensata.com SENSATA ASSUMES NO LIABILITY FOR APPLICATIONS ASSISTANCE OR THE DESIGN OF BUYERS' PRODUCTS. BUYER ACKNOWLEDGES AND AGREES THAT IT IS SOLELY RESPONSIBLE FOR COMPLIANCE WITH ALL LEGAL, REGULATORY AND SAFETY-RELATED REQUIREMENTS CONCERNING ITS PRODUCTS, AND ANY USE OF SENSATA COMPONENTS IN ITS APPLICATIONS, NOTWITHSTANDING ANY APPLICATIONS-RELATED INFORMATION OR SUPPORT THAT MAY BE PROVIDED BY SENSATA.

Mailing Address: Sensata Technologies, Inc., 529 Pleasant Street, Attleboro, MA 02703, USA.

CONTACT US

Americas

+1 (877) 502 5500 – Option 2

sales.crydom@sensata.com

Europe, Middle East & Africa

+44 (1202) 416170

ssr-info.eu@sensata.com

Asia Pacific

sales.isasia@list.sensata.com

China +86 (21) 2306 1500

Japan +81 (45) 277 7117

Korea +82 (31) 601 2004

India +91 (80) 67920890

Rest of Asia +886 (2) 27602006

ext 2808

Mouser Electronics

Authorized Distributor

Click to View Pricing, Inventory, Delivery & Lifecycle Information:

[Sensata:](#)

[DRA1-CMXE100D6](#) [DRA1-CMXE60D10](#) [DRA1-CMX100D10](#) [DRA1-CMX100D6](#) [DRA1-CMX200D3](#) [DRA1-CMX60D10](#) [DRA1-CMX60D5](#) [DRA1-CMXE100D10](#) [DRA1-CMXE200D3](#) [DRA1-CMXE60D5](#)