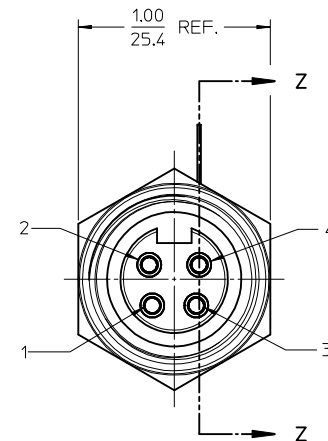
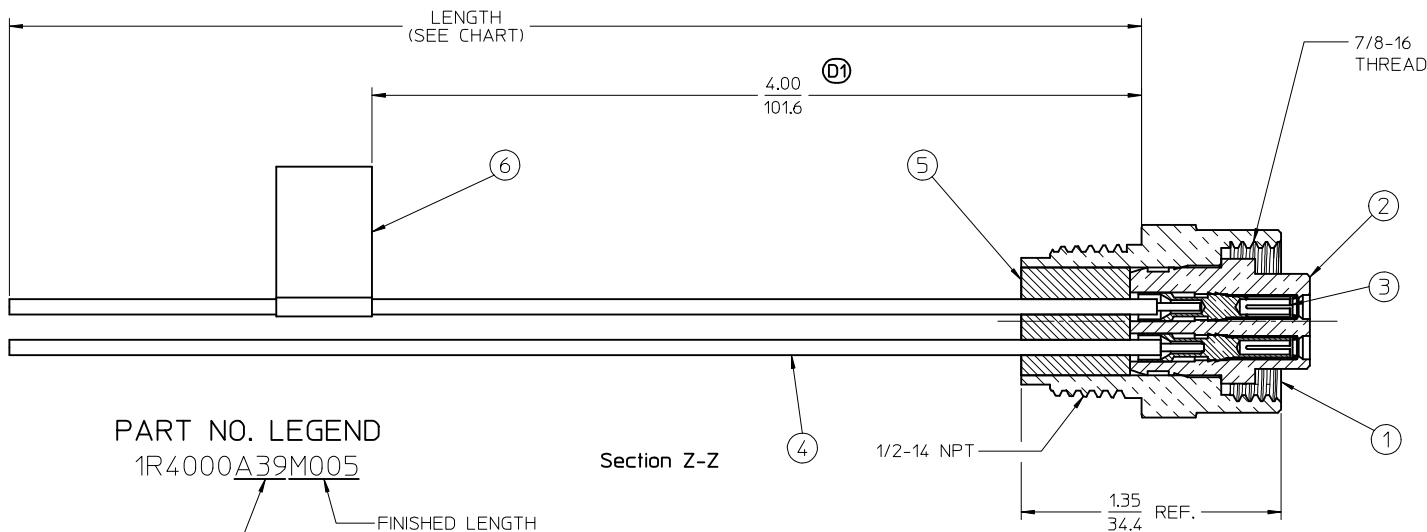
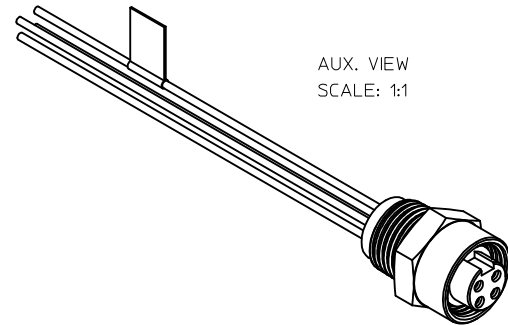


MATERIAL NO.	ENGINEERING NO.	LENGTH
1300130299	1R4000A39M005	0.5M
1300130300	1R4000A39M010	1.0M
1300130301	1R4000A39M020	2.0M

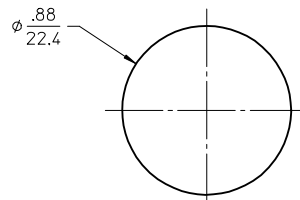
CABLE LENGTH TOLERANCES
 >.3M [1FT): +19mm-0 [+1.75in-0]
 .3 - .9M [1 - 3FT): +44.5mm-0 [+1.75in-0]
 .9 - 1.8M [3 - 6FT): +55.6mm-0 [+2.19in-0]
 1.8 - 3.7M [6 - 12FT): +88.9mm-0 [+3.50in-0]
 3.7 - 7.3M [12 - 24FT): +165.1mm-0 [+6.50in-0]
 7.3-14.6M [24 - 48FT): +317.5mm-0 [+12.50in-0]
 14.6 - 30.5M [48-100FT): +622.3mm-0 [+24.50in-0]
 OVER 30M [100FT) +2% OF FINISHED LENGTH



PART NO. LEGEND
 1R4000A39M005

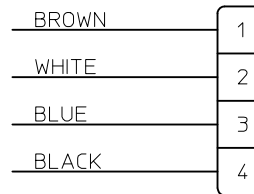
WIRE TYPE: 16 AWG PVC
 FINISHED LENGTH
 M005= 0.5 METER
 M010= 1 METER
 M100= 10 METERS

- NOTES:**
1. MATERIAL: AS NOTED
 2. FINISHES: AS NOTED
 3. ELECTRICAL SPECIFICATIONS
 VOLTAGE RATING: 483V PER IEC60664
 600V PER UL2238
 CURRENT RATING: 10 AMPS
 4. PROTECTION: IP67 (WHEN MATED)
 5. TEMP RANGE: -20°C TO +105°C
 6. AGENCY LISTING: E152210
 7. DIMS SHOWN ARE FOR REFERENCE UNLESS NOTED OTHERWISE



KNOCKOUT HOLE

WIRE DIAGRAM



PIN-OUT PER CENELEC COLOR CODE

ITEM	QTY.	DESCRIPTION	MATERIAL	FINISH
6	1	LABEL	VINYL	BLACK/YELLOW
5	1	POTTING MATERIAL	EPOXY	
4	4	WIRE, 16 AWG	PVC INSULATION	SEE WIRE DIAGRAM
3	4	CONTACT SOCKET & SLEEVE ASSY.	Cu ALLOY/ST.STEEL	GOLD PLATED
2	1	INSERT	PVC	YELLOW
1	1	RECEPTACLE SHELL	ZINC DIE-CAST	NICKEL PLATED

IEC VOLTS WAS 370 WAS 800 ADD LENGTH TOLS & CHART IEC NO: IFC2017-0940 DRAWN BY: DRWINRSTONE 2017/04/10 CHKD: CHKD: 2017/06/06 APPR: BWOODMAN 2017/06/06	QUALITY SYMBOLS ▽=0 ▽=0
---	-------------------------------

GENERAL TOLERANCES (UNLESS SPECIFIED) mm INCH 4 PLACES ± --- ± --- 3 PLACES ± --- ± --- 2 PLACES ± --- ± .01 1 PLACE ± 0.3 ± --- ANGULAR ± 1/2°	DRAFT WHERE APPLICABLE MUST REMAIN WITHIN DIMENSIONS
---	--

DIMENSION STYLE IN/MM DRAWN BY: R.STONE DATE: 2009/08/25 CHECKED BY: B.WOODMAN DATE: 2009/08/27 APPROVED BY: JFMURPHY DATE: 2009/08/26 MATERIAL NO. -	SCALE 2:1 DESIGN UNITS INCH THIRD ANGLE PROJECTION
---	--

TITLE MINI-CHANGE, RECEPTACLE 4P, FEMALE, 16 AWG	MOLEX INCORPORATED DOCUMENT NO. SD-130013-086 SHEET NO. 1 OF 1
--	--

Mouser Electronics

Authorized Distributor

Click to View Pricing, Inventory, Delivery & Lifecycle Information:

[Molex:](#)

[1300130299](#)