

**PLEASE CHECK WWW.MOLEX.COM FOR LATEST PART INFORMATION**

**Part Number:** [2008750004](#)  
**Status:** **Active**  
**Overview:** [Micro-Fit 3.0 Connector System Product Family](#)  
**Description:** [Micro-Fit TPA Plug Housing, Single Row, 4 Circuits, UL 94V-0, Low-Halogen, Black](#)

**Documents:**

[Drawing \(PDF\)](#) [RoHS Certificate of Compliance \(PDF\)](#)  
[Product Specification PS-43650 \(PDF\)](#) [Product Literature \(PDF\)](#)  
[Packaging Specification 2008750000-PK-000 \(PDF\)](#)

**Agency Certification**

CSA LR19980  
 UL E29179

**General**

Product Family Crimp Housings  
 Series [200875](#)  
 Application Power, Wire-to-Wire  
 Comments See Product Specification for maximum current rating by circuit size and wire AWG  
 Overview [Micro-Fit 3.0 Connector System Product Family](#)  
 Product Literature Order No 987650-5984  
 Product Name Micro-Fit TPA  
 UPC 191128228848

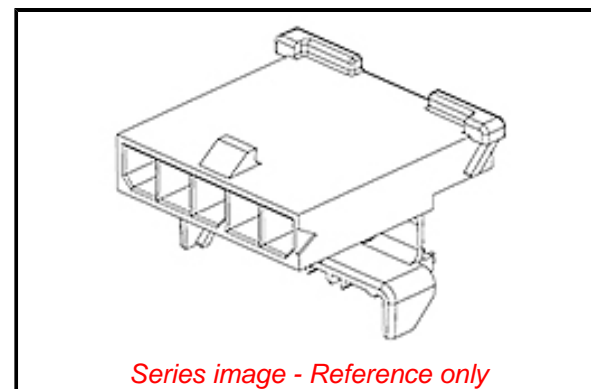
**Physical**

Circuits (maximum) 4  
 Color - Resin Black  
 Flammability 94V-0  
 Gender Plug  
 Glow-Wire Compliant No  
 Keying to Mating Part None  
 Lock to Mating Part Yes  
 Material - Resin Nylon  
 Net Weight 0.540g  
 Number of Rows 1  
 Packaging Type Bag  
 Panel Mount No  
 Pitch - Mating Interface 3.00mm  
 Polarized to Mating Part Yes  
 Stackable No  
 Temperature Range - Operating -40°C to +105°C

**Material Info**

**Reference - Drawing Numbers**

Packaging Specification 2008750000-PK-000  
 Product Specification PS-43650  
 Sales Drawing 2008750000-SD-000



Series image - Reference only

**EU ELV**

**Compliant**

**EU RoHS**

**Compliant**

**REACH SVHC**

Not Contained Per -  
 ED/30/2017 (7 July  
 2017)

**Halogen-Free**

**Status**

**Low-Halogen**

**Need more information on product environmental compliance?**

Email [productcompliance@molex.com](mailto:productcompliance@molex.com)  
 Please visit the [Contact Us](#) section for any non-product compliance questions.

China ROHS Green Image  
 ELV Compliant  
 RoHS Phthalates Not Contained

**Search Parts in this Series**

[200875 Series](#)

**Mates With**

Micro-Fit TPA Receptacle Housing [171850](#)  
 <br>Micro-Fit 3.0 Receptacle Housing  
[43645](#)

**Use With**

Micro-Fit 3.0 Male TPA Crimp <br>Terminal  
[43031-5xxx](#)