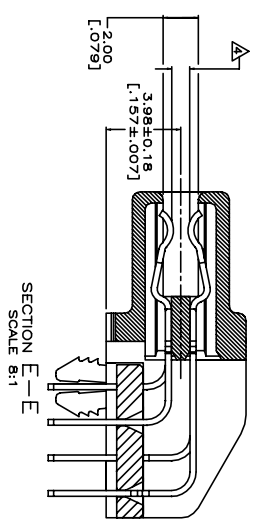
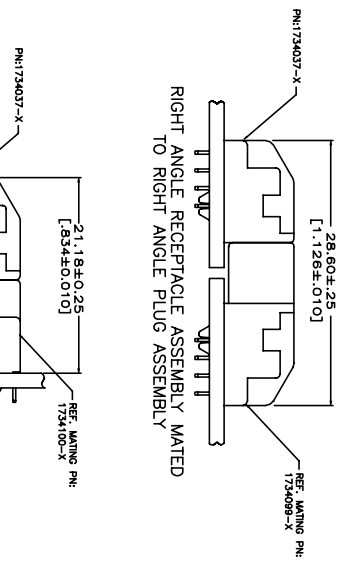
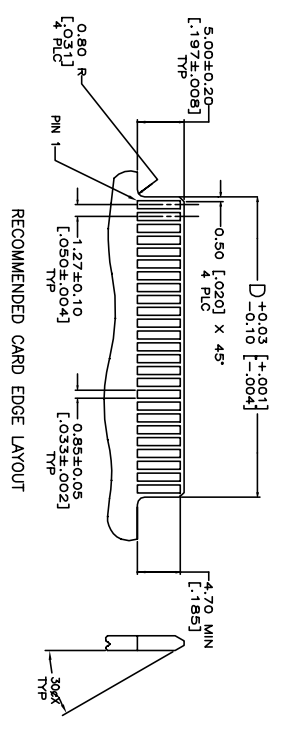
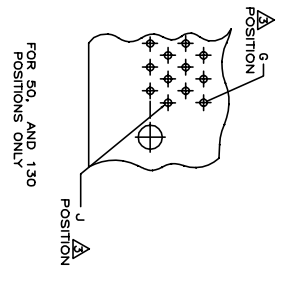
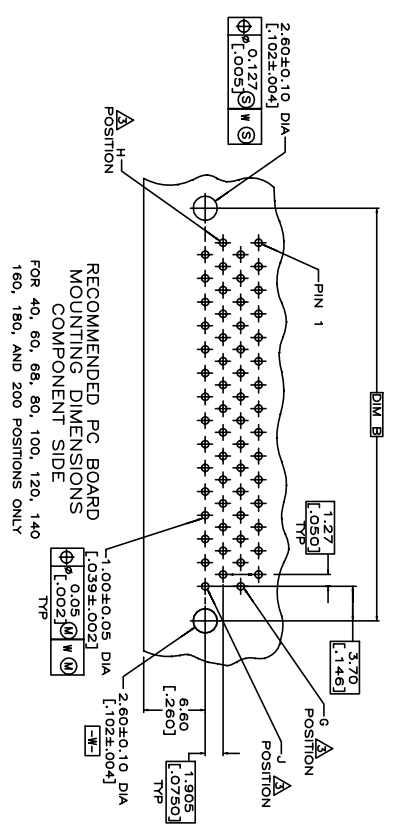


REVISIONS				
P	LTR	DESCRIPTION	DATE	APVD
-	-	SEE SHEET 1	-	-



THIS DRAWING IS A CONTROLLED DOCUMENT.

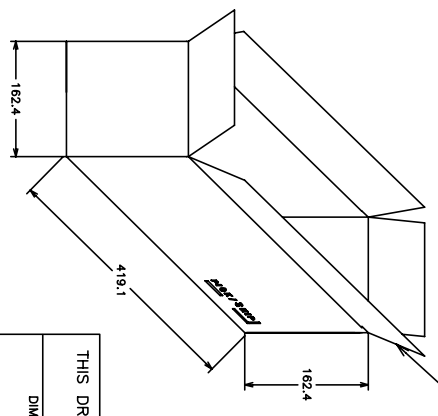
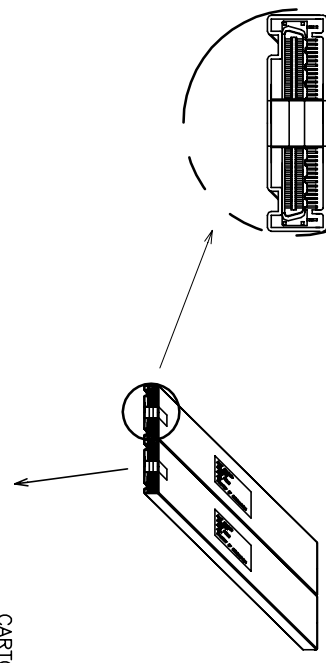
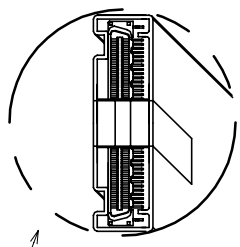
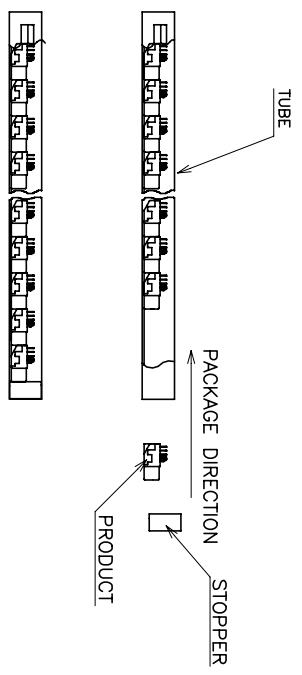
DIMENSIONS:	mm	TOLERANCES UNLESS OTHERWISE SPECIFIED:	0 PIG ±	1 PIG ±	2 PIG ±	3 PIG ±	4 PIG ±	ANGLES ±
MATERIAL		FINISH						

STE TE Connectivity Ltd.

RECEPTACLE ASSEMBLY, R/A,
BTB, CHAMP.050, SERIES I

APVD	CHK	DMN	NAME	SIZE	CAGE CODE	DRAWING NO	RESTRICTED
				A3	00779	1734037	70
PRODUCT SPEC	APPLICATION SPEC	WEIGHT	CUSTOMER DRAWING	SCALE	SHEET	2 of 4	REV
							G2

REVISIONS				
P	LTR	DESCRIPTION	DATE	APVD
-	-	SEE SHEET 1	-	-



POS.	QTY/ TUBE	TUBE/ BOX	QTY/ BOX	N/W (KG)	G/W (KG)	PART NUMBER
						6-1734037-2
						4-1734037-2
						2-1734037-2
						1734037-2
						5-1734037-0
						3-1734037-0
						1-1734037-0
						4-1734037-1
						2-1734037-1
						1734037-1

Ⓢ OBSOLETE

THIS DRAWING IS A CONTROLLED DOCUMENT.

DIMENSIONS: mm

TOLERANCES UNLESS OTHERWISE SPECIFIED:	FINISH
0 P/C	±
1 P/C	±
2 P/C	±
3 P/C	±
4 P/C	±
ANGLES	±

DWG	CHK	APVD	PRODUCT SPEC	APPLICATION SPEC	WEIGHT	CUSTOMER DRAWING
-	-	-	-	-	-	-

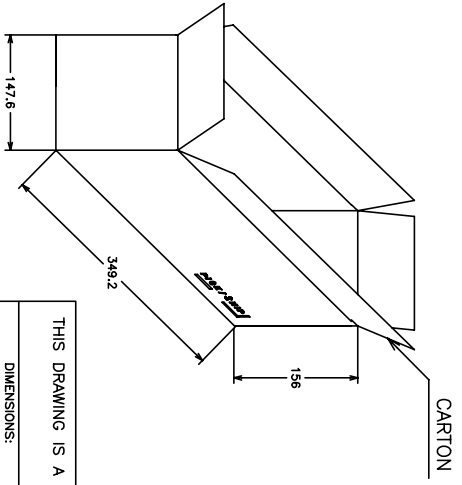
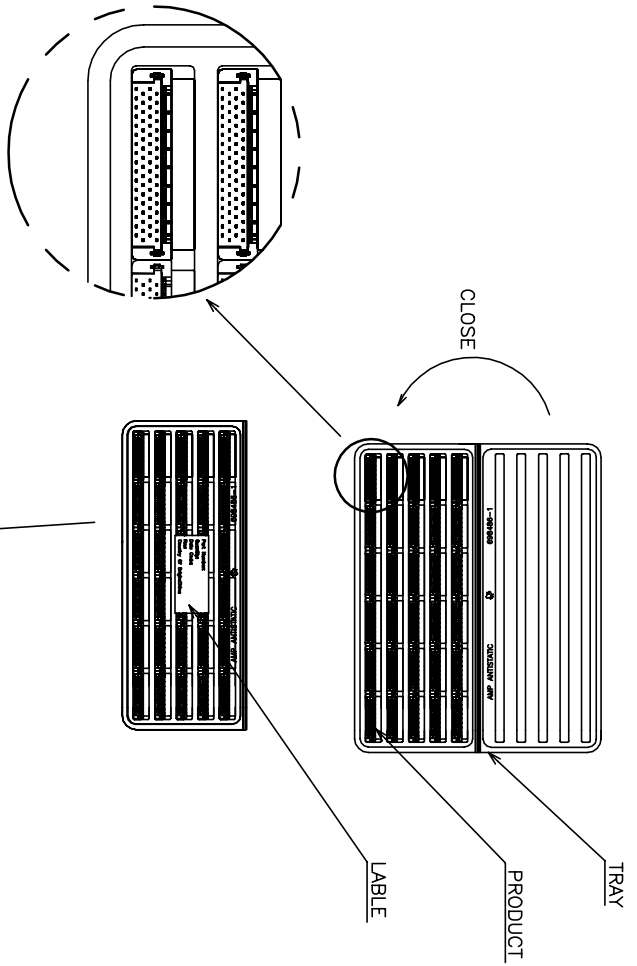
STE TE Connectivity Ltd.

RECEPTACLE ASSEMBLY, R/A,
BTB, CHAMP.050, SERIES I

NAME	SIZE	CAGE CODE	DRAWING NO	RESTRICTED TO
A3	00779	1734037		

SCALE	SHEET	OF	REV
-	3	4	G2

REVISIONS					
P	LTR	DESCRIPTION	DATE	DMN	APVD
-	-	SEE SHEET 1	-	-	-



CARTON

QTY/ TRAY	TRAY/ BOX	QTY/ BOX	N/W (KG)	G/W (KG)	PART NUMBER	
40	45	10	450	1.55	2.45	5-1734037-4
160	10	10	100	1.33	2.28	5-1734037-6
						3-1734037-6
						1-1734037-6
						5-1734037-4
						3-1734037-4
						1-1734037-4
						2-1734037-0
						1-1734037-8
						1-1734037-2
						5-1734037-1
						3-1734037-1
						1-1734037-1
						4-1734037-7
						2-1734037-7
						1734037-7
						4-1734037-6
						2-1734037-6
						1734037-6
						4-1734037-5
						2-1734037-5
						1734037-5
						4-1734037-4
						2-1734037-4
						1734037-4
						4-1734037-3
						2-1734037-3
						1734037-3
						4-1734037-2
						2-1734037-2
						1734037-2
						4-1734037-1
						2-1734037-1
						1734037-1
						4-1734037-0
						2-1734037-0
						1734037-0
						4-1734037-0
						2-1734037-0
						1734037-0

PET PACKAGE

THIS DRAWING IS A CONTROLLED DOCUMENT.

DIMENSIONS:	TOLERANCES UNLESS OTHERWISE SPECIFIED:
mm	
0 P/C	±
1 P/C	±
2 P/C	±
3 P/C	±
4 P/C	±
ANGLES	±
FINISH	±

DMN	CHK	APVD	PRODUCT SPEC	APPLICATION SPEC	WEIGHT
-	-	-	-	-	-

NAME		RECEPTACLE ASSEMBLY, R/A, BTB, CHAMP.050, SERIES I	
SIZE	QAGE CODE	DRAWING NO	RESTRICTED TO
A3	00779	1734037	-
CUSTOMER DRAWING	SCALE	SHEET	REV
-	-	4 of 4	G2

TE TE Connectivity Ltd.