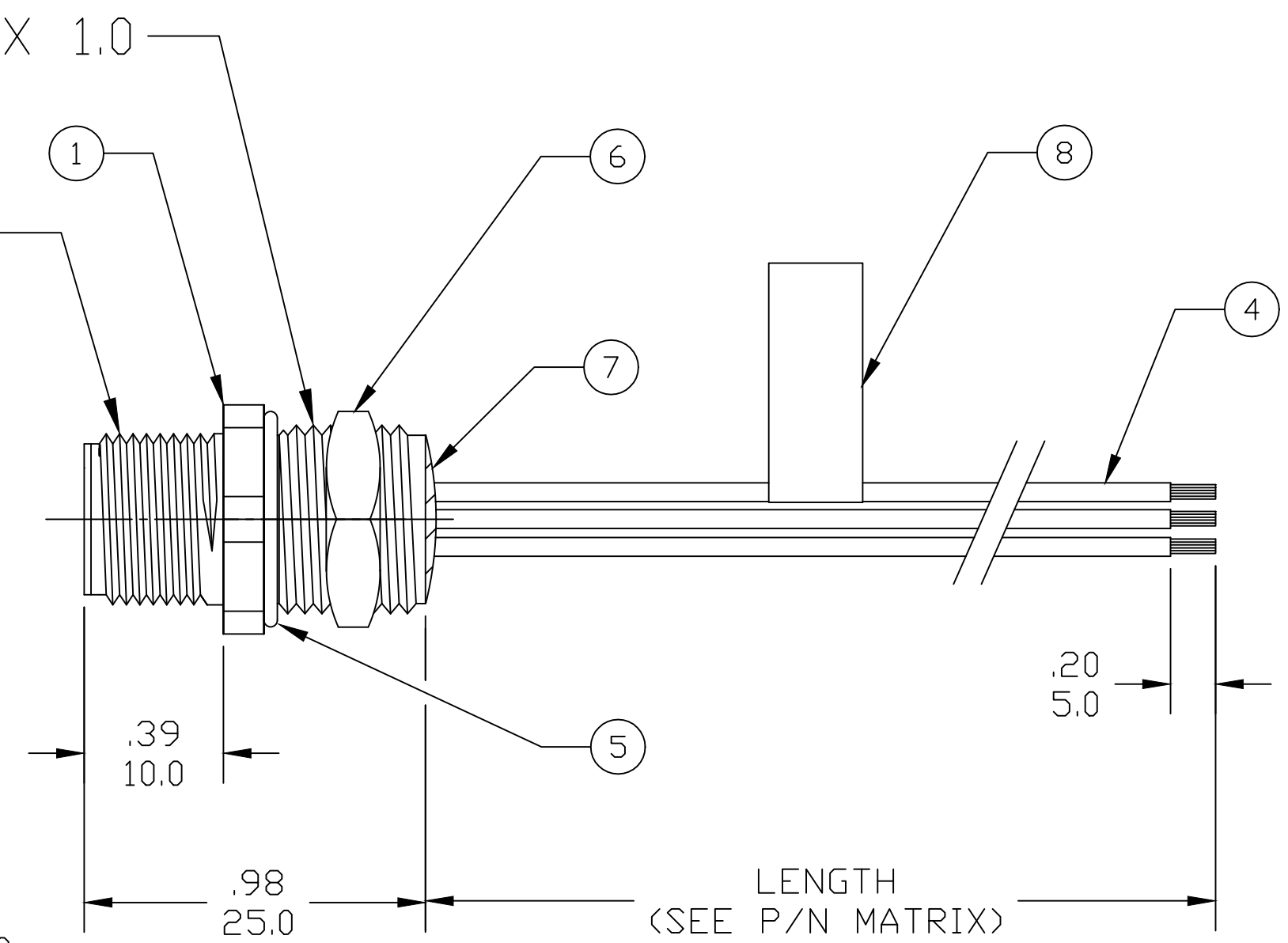
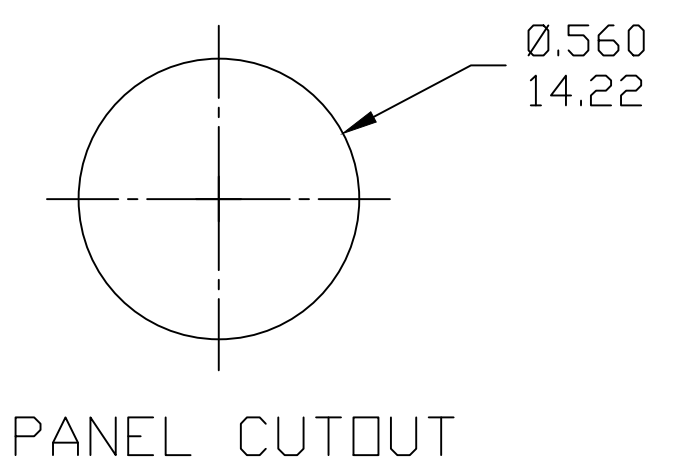
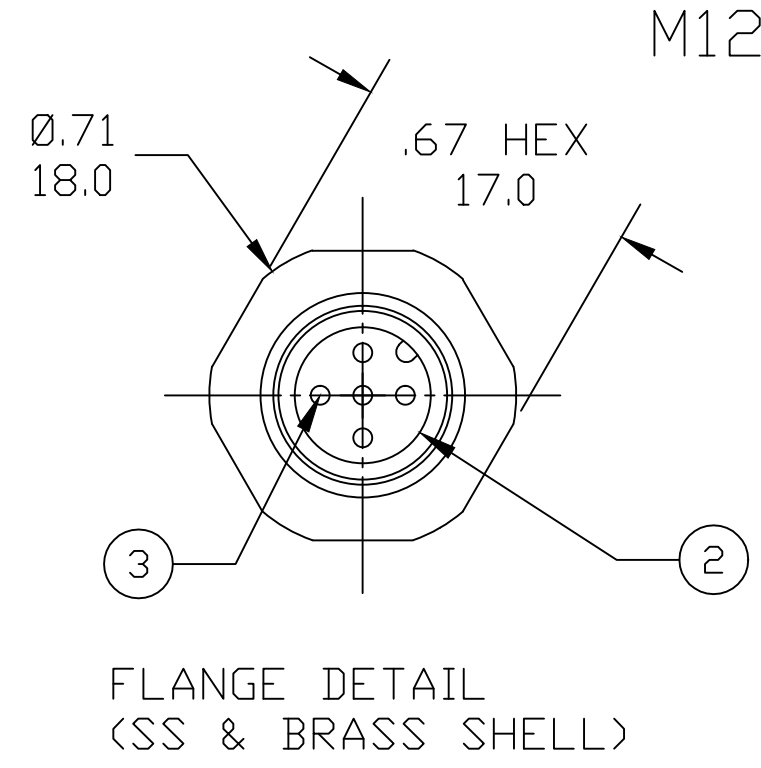
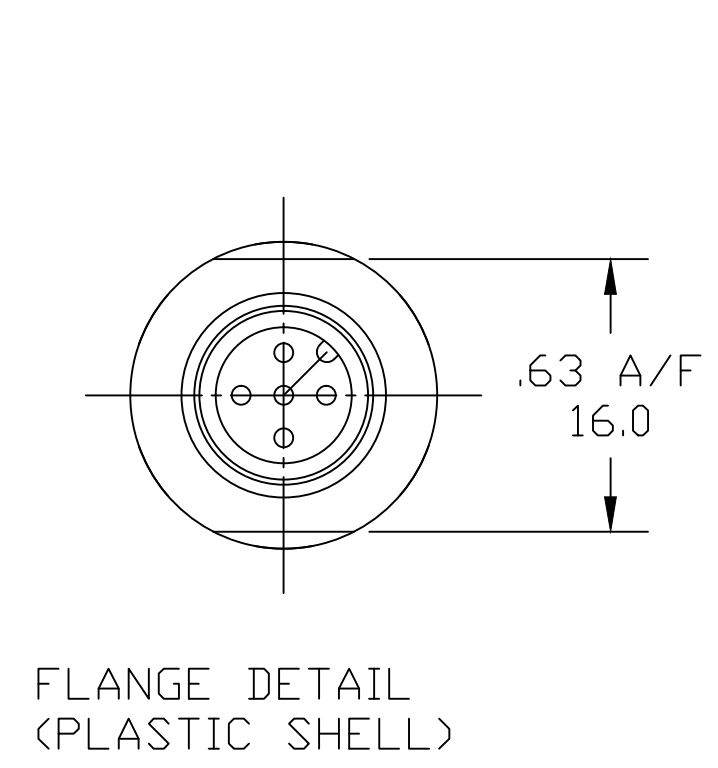


MALE FACE VIEWS			
3P	4P	5P	8P
Pin Wire color 1 BROWN 2 WHITE 3 BLUE 4 BLACK	Pin Wire color 1 BROWN 2 WHITE 3 BLUE 4 BLACK	Pin Wire color 1 BROWN 2 WHITE 3 BLUE 4 BLACK 5 GRAY	Pin Wire color 1 WHITE 2 BROWN 3 GREEN 4 YELLOW 5 GRAY 6 PINK 7 BLUE 8 RED

Part No. MATRIX

8	R	4	E	3	6	E	0	3	C	3	0	0	3
Micro Change Receptacle	Poles 3, 4, 5, & 8	Male Contact Male Thread M12 M14x1 Mounting Thread	E02=0.25mm (24 AWG) PVC E03=0.34mm (22 AWG) PVC	C=CENTIMETRES M=METERS	LENGTH C030=3cm C300=30cm M010=1 Meter M100=10 Meters	Shell Material 1=Stainless Steel 3=Brass Nickel Plated (Std) 5=Plastic (Delrin)							



- NOTES:
- MATERIAL: SEE TABLE
 - FINISH: SEE TABLE
 - ELECTRICAL:
VOLTAGE: 250V AC/DC
CURRENT: 4A
 - TEMP RATING: -20° TO +80°C
 - PROTECTION: IP67 (WHEN MATED)
 - ALL DIMS ARE FOR REFERENCE UNLESS NOTED OTHERWISE

TABLE

ITEM	DESCRIPTION	MATERIAL	FINISH
8	FLAG LABEL	VINYL	BLACK/YELLOW
7	POTTING MATERIAL	PUR	
6	LOCKNUT	STEEL	ZINC PLATED
5	O-RING	NBR	BLACK
4	WIRE, (SEE P/N MATRIX)	PVC INSULATION	SEE FACE VIEWS
3	CONTACT PIN	COPPER ALLOY	GOLD PLATED
2	MALE INSERT	NYLON	BLACK
1	RECEPTACLE SHELL	SEE PART NO MATRIX	SEE PART NO MATRIX

RELEASED	EC NO: ICG2017-0581	DRWN: RSTONE 2016/12/09	CHKD: M ZIELIN 2016/12/15	APPR: BWOODMAN2017/01/03
REV	A	DESCRIPTION	QUALITY SYMBOL	▽=0 ▽C=0

GENERAL TOLERANCES (UNLESS SPECIFIED)	
	mm INCH
4 PLACES	±--- ±---
3 PLACES	±--- ±---
2 PLACES	±--- ±---
1 PLACE	±--- ±---
ANGULAR ±---°	
DRAFT WHERE APPLICABLE MUST REMAIN WITHIN DIMENSIONS	

DIMENSION STYLE	
IN/MM	
DRAWN BY	DATE
RSTONE	2016/12/09
CHECKED BY	DATE
M ZIELIN	2016/12/15
APPROVED BY	DATE
BWOODMAN	2017/01/03
MATERIAL NO.	---

SCALE	DESIGN UNITS	THIRD ANGLE PROJECTION
---	METRIC	
TITLE		
MICRO CHANGE RECEPTACLE MALE, FRONT MOUNT M14 MOUNTING, PVC		
MOLEX INCORPORATED		
DOCUMENT NO.	SHEET NO.	
SD-120070-236	1 OF 1	
THIS DRAWING CONTAINS INFORMATION THAT IS PROPRIETARY TO MOLEX INCORPORATED AND SHOULD NOT BE USED WITHOUT WRITTEN PERMISSION		