

# 86mm Bulb type Warning Signal Light

**MENICS**  
SIGNALTECHNIK

## ASG/APG SERIES



### INSTRUCTION MANUAL

Thank you very much for selecting Menics products. Please read this manual carefully before you use this unit.

#### ◆ Feature

- Bright light by prism cut design of the lens.
- Strong flash by rotation reflector.
- Standard step color: RED , YELLOW , GREEN , BLUE

#### ◆ Ordering Information

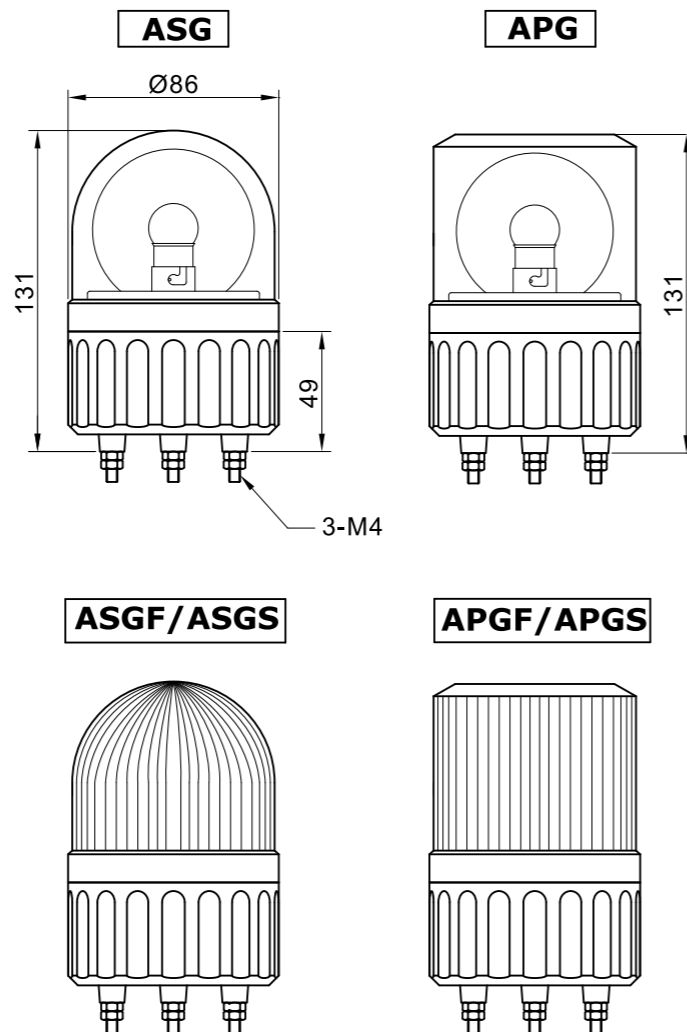
### ASGB - 10 - R

<b>Lens Color</b>	R-red, Y-yellow, G-green, B-blue
<b>Power supply</b>	01 : 12VAC/DC 02 : 24VAC/DC 10 : 110VAC 20 : 220VAC FF : 110-220VAC
<b>Option</b>	No mark: Rotating (Smooth Lens) B : Rotating+Buzzer (Smooth Lens) F : Flashing (Prism Lens) S : Xenon Strobe Lamp (Prism Lens) - 110V, 220V only available
<b>Series</b>	ASG: 86mm Bulb type Warning Signal Light (Dome lens) APG: 886mm Bulb type Warning Signal Light (Flat lens)



#### ◆ External Dimensions

(UNIT : mm)



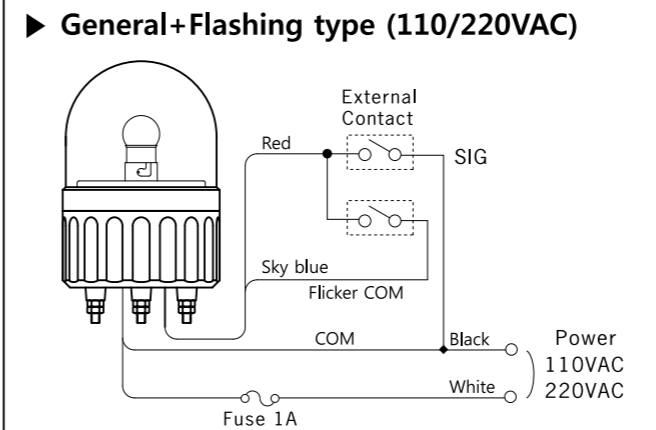
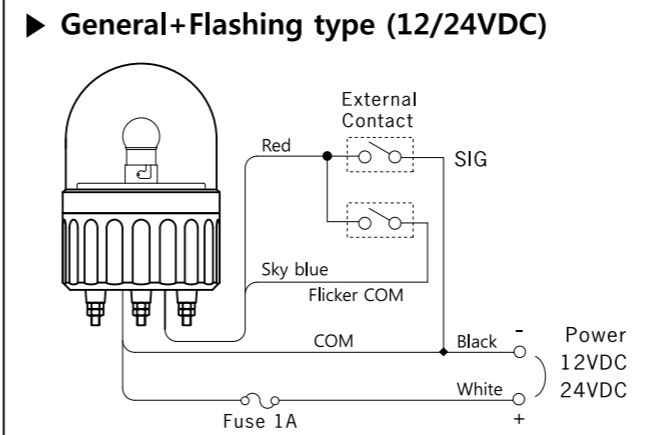
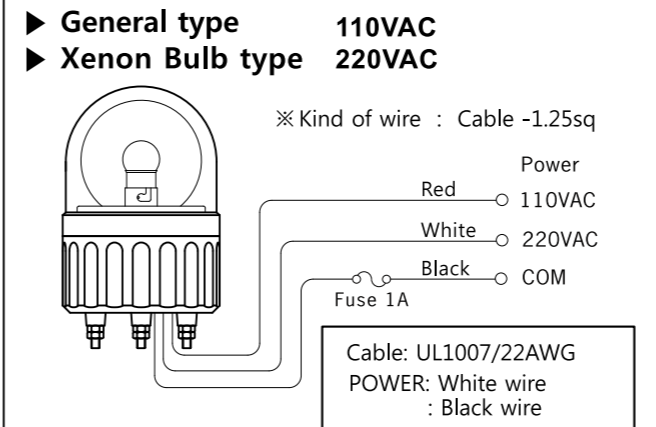
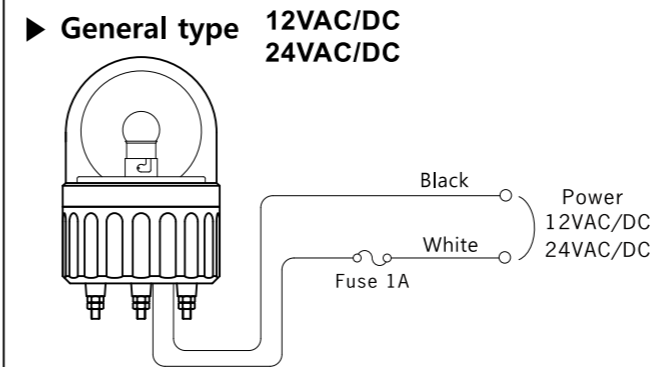
#### ◆ Specification

Model	Voltage	Current	Rotation	Bulb
ASG	12VAC/DC	0.67 A	130rpm ±10%	12V 8W
APG	24VAC/DC	0.33 A		24V 8W
ASGB	12VAC/DC	0.67 A		12V 8W
APGB	24VAC/DC	0.33 A		24V 8W
ASG	110/220V AC	0.4 A	Flashing 80/Min	12V 5W
APG	110/220V AC	0.4 A		12V 5W
ASGB-FF	110/220V AC	0.4 A	Flashing 80/Min	12V 8W
APGB-FF	110/220V AC	0.4 A		24V 8W
ASGF	AC110V	0.07 A		130V 8W
APGF	AC220V	0.03 A		240V 8W
ASGS	AC110V	0.22 A	Flashing 80/Min	
APGS	AC220V	0.11 A		

#### ◆ Bulb Replacement Parts

Only Flashing		Only Rotating	
Energy Used: 8 watts	12V type	Energy Used: 5 watts	12V type
Base Type: Single Contact (BA15S)	24V type	Base Type: Single Contact (BA15S)	24V type
Color / Finish: Clear	110V type	Color / Finish: Clear	110V type
Length: 45mm	220V type	Length: 35mm	220V type
Width: 16mm		Width: 19mm	
		<b>110/220V Free Voltage type (Rotating type)</b>	
		110/220V type	

#### ◆ Connection

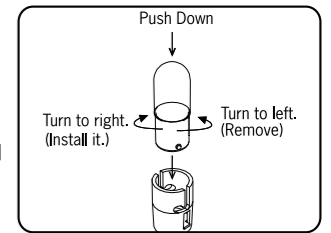


- ※ Do not connect wire between buzzer and flicker common.
- ※ Insulation needed.
- ※ Kind of wire: Signal0.25sq

#### ◆ Change Bulb

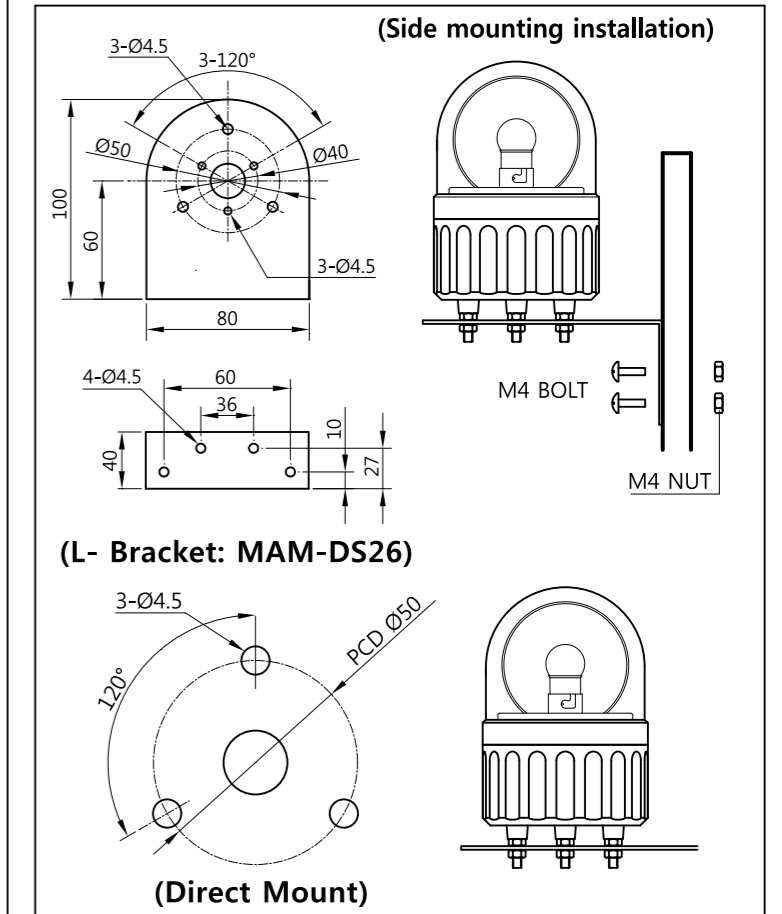
Please follow the procedure mentioned below to change the bulb.

- ① Make sure power is turned off when changing lens.
- ② Remove lens.
- ③ The bulb can be easily removed by pressing it downward to turn to left.
- ④ The new bulb can be easily installed by pressing it downward to turn to right.
- ⑤ Install lens.



#### ◆ Inatallation

(UNIT : mm)



#### ▲ Cautions

- ▶ Make sure power is turned off and the temperature of electric bulb falls down for repair to avoid electric shock and burn.
- ▶ When you repair this product as color reformation, power must be turned off to avoid electrical shock.
- ▶ Follow wiring diagrams carefully. Miswiring could damage the internal circuit, buzzer circuit or cause the unit to be inoperative.
- ▶ Check the power voltage with allowable rate.
- ▶ Do not expose the tower or any of it's component parts to thinners or other strong solvents.
- ▶ Do not modify any components or specifications from our standards.
- ▶ Never pull on the wire.
- ▶ Be sure to use crimp type terminal connectors.
- ▶ Do not impact.

**MENICS**  
SIGNALTECHNOLOGY

118-1, Ungbigongdan-gil, Yangsan-si, Gyeongsangnam-do, Korea, 50524  
TEL : 82-55-371-5200 FAX: 82-55-371-5202  
http://www.menics.co.kr E-mail: menics@chol.com