



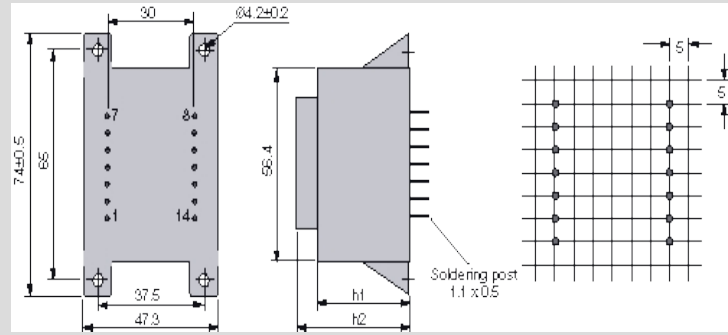
- Product summary
- Printed Circuit-Board transformers
 - Frame size BV 20
 - Frame size EI 30
 - Frame size EI 34
 - Frame size EI 38
 - Frame size EI 42
 - Frame size EI 48
 - Frame size EI 54
 - Frame size EI 60
 - Frame size EI 66
 - Frame size EI 78-EI 96
 - Frame size EI 78
 - Frame size EI 84
 - Frame size EI 96
- Flat-type transformers
- Standard converter
- Mains chokes (PFC)
- RAST 5 transformers
- SMPS transformers
- Special solutions / customized versions
- Transformer for Top-Hat-Rail Fixtures
- Non-encapsulated transformers
- Fine-wire-coils
- Electrical Power Supply Facilities
- Compact power supply units
- Energy storage choke
- Toroidal transformers
- Ignition transformers / Electric ignition devices
- Product search
- Catalog

EI 54 Printed circuit-board transformers, output capacity up to 15 VA



- Capacity up to 22.0 VA
- Non short-circuit-proof at temperature class ta 70 °C/B
- Standard type with 'KK' cast housing
- Test certifications to ENEC 10- and VDE-registrations
- Excellent temperature fluctuation resistance properties
- High electrical safety and long Service-life features
- High voltage resistance
- Self-extinguishing cast housing and sealing material
- Certified item quality tested

Primary protection by means of transformer heat coils to IEC 127 Standards or secondarily with PTC resistances



Frame size/Core height	Output ta 70°C/B	h 1 (mm)	h 2 (mm)	Weight kg	Packaging unit (pcs)
EI 540 / 14.0 mm*	12 VA	ca. 27.0*	ca. 33.7*	0.350	19
EI 541 / 18.8 mm	16 VA	32.0 +/- 0.5	38.8 +/- 0.5	0.400	14
EI 542 / 23.0 mm	20 VA	36.5 +/- 0.5	43.2 +/- 0.5	0.500	14
EI 543 / 25.5 mm	22 VA	39.5 +/- 0.5	47.4 +/- 0.5	0.550	14

* only in type "0"

Serial-Types

data sheet	article no.	power VA	primary voltage V	connecting pins prim.	secondary voltage V	current sec. mA	connecting pins sek.	
display	BV EI 540 1137	12	1x 230	1-7	1x 6	2000	9-13	1x 8.1
display	BV EI 540 1138	12	1x 230	1-7	2x 6	1000	8-9/13-14	2x 8.1
display	BV EI 540 1139	12	1x 230	1-7	1x 7.5	1600	9-13	1x 9.9
display	BV EI 540 1140	12	1x 230	1-7	2x 7.5	800	8-9/13-14	2x 9.9
display	BV EI 540 1141	12	1x 230	1-7	1x 9	1333	9-13	1x 12.2
display	BV EI 540 1142	12	1x 230	1-7	2x 9	667	8-9/13-14	2x 12.2
display	BV EI 540 1143	12	1x 230	1-7	1x 12	1000	9-13	1x 15.8
display	BV EI 540 1144	12	1x 230	1-7	2x 12	500	8-9/13-14	2x 15.8
display	BV EI 540 1145	12	1x 230	1-7	1x 15	800	9-13	1x 19.4
display	BV EI 540 1146	12	1x 230	1-7	2x 15	400	8-9/13-14	2x 19.4
display	BV EI 540 1147	12	1x 230	1-7	1x 18	667	9-13	1x 23.5
display	BV EI 540 1148	12	1x 230	1-7	2x 18	334	8-9/13-14	2x 23.5
display	BV EI 540 1149	12	1x 230	1-7	1x 24	500	9-13	1x 30.6

back to sizes

data sheet	article no.	power VA	primary voltage V	connecting pins prim.	secondary voltage V	current sec. mA	connecting pins sek.	
display	BV EI 541 1110	16	1x 230	1-7	1x 24	667	9-13	1x 29.1
display	BV EI 541 1121	16	1x 230	1-7	1x 6	2667	9-13	1x 7.9
display	BV EI 541 1122	16	1x 230	1-7	1x 7.5	2134	9-13	1x 9.7
display	BV EI 541 1123	16	1x 230	1-7	1x 9	1778	9-13	1x 11.7
display	BV EI 541 1124	16	1x 230	1-7	1x 12	1333	9-13	1x 15.2
display	BV EI 541 1125	16	1x 230	1-7	1x 15	1067	9-13	1x 19.1
display	BV EI 541 1126	16	1x 230	1-7	1x 18	889	9-13	1x 22.3
display	BV EI 541 1128	16	1x 230	1-7	2x 6	1334	8-9/13-14	2x 7.9
display	BV EI 541 1129	16	1x 230	1-7	2x 7.5	1067	8-9/13-14	2x 9.7
display	BV EI 541 1130	16	1x 230	1-7	2x 9	889	8-9/13-14	2x 11.7
display	BV EI 541 1131	16	1x 230	1-7	2x 12	667	8-9/13-14	2x 15.2
display	BV EI 541 1132	16	1x 230	1-7	2x 15	534	8-9/13-14	2x 19.1
display	BV EI 541 1150	16	1x 230	1-7	2x 18	445	8-9/13-14	2x 22.3

back to sizes

data sheet	article no.	power VA	primary voltage V	connecting pins prim.	secondary voltage V	current sec. mA	connecting pins sek.	
display	BV EI 542 1151	20	1x 230	1-7	1x 6	3334	9-13	1x 7.7
display	BV EI 542 1152	20	1x 230	1-7	2x 6	1667	8-9/13-14	2x 7.7
display	BV EI 542 1153	20	1x 230	1-7	1x 7.5	2667	9-13	1x 9.5
display	BV EI 542 1154	20	1x 230	1-7	2x 7.5	1334	8-9/13-14	2x 9.5
display	BV EI 542 1155	20	1x 230	1-7	1x 9	2223	9-13	1x 11.4
display	BV EI 542 1156	20	1x 230	1-7	2x 9	1112	8-9/13-14	2x 11.4
display	BV EI 542 1157	20	1x 230	1-7	1x 12	1667	9-13	1x 15
display	BV EI 542 1158	20	1x 230	1-7	2x 12	834	8-9/13-14	2x 15
display	BV EI 542 1159	20	1x 230	1-7	1x 15	1334	9-13	1x 18.6
display	BV EI 542 1160	20	1x 230	1-7	2x 15	667	8-9/13-14	2x 18.6
display	BV EI 542 1161	20	1x 230	1-7	1x 18	1112	9-13	1x 21.8
display	BV EI 542 1162	20	1x 230	1-7	2x 18	556	8-9/13-14	2x 21.8
display	BV EI 542 1163	20	1x 230	1-7	1x 24	834	9-13	1x 29.5

back to sizes

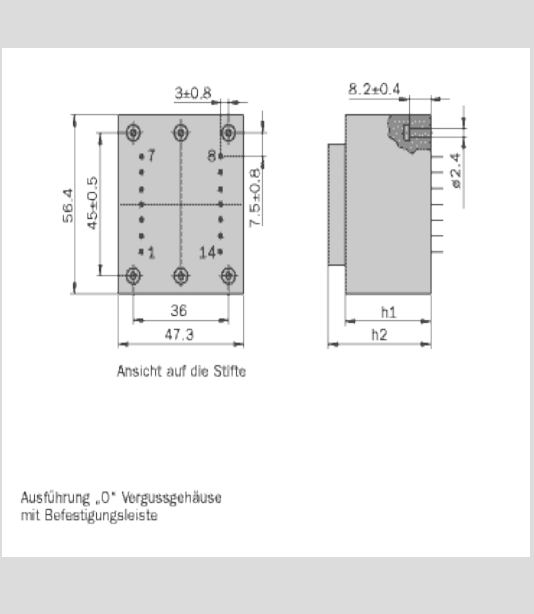
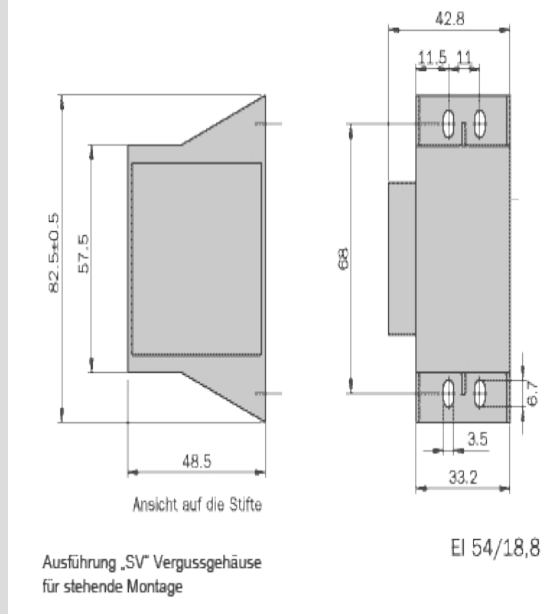
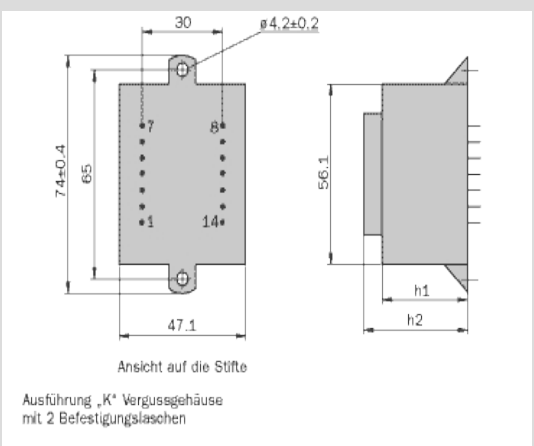
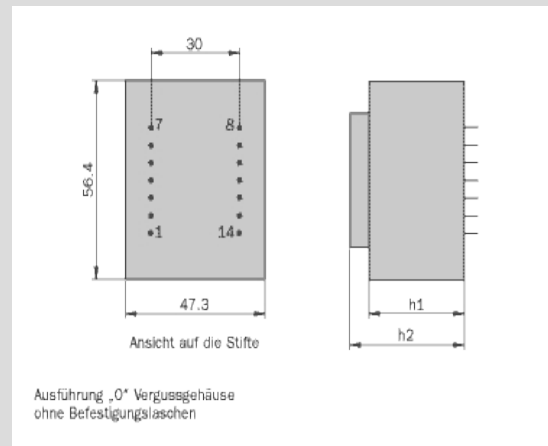
data sheet	article no.	power VA	primary voltage V	connecting pins prim.	secondary voltage V	current sec. mA	connecting pins sek.	
display	BV EI 543 1166	22	1x 230	1-7	1x 6	3667	9-13	1x 7.4
display	BV EI 543 1167	22	1x 230	1-7	2x 6	1834	8-9/13-14	2x 7.4
display	BV EI 543 1168	22	1x 230	1-7	1x 7.5	2934	9-13	1x 8.9
display	BV EI 543 1169	22	1x 230	1-7	2x 7.5	1467	8-9/13-14	2x 8.9
display	BV EI 543 1170	22	1x 230	1-7	1x 9	2445	9-13	1x 10.7
display	BV EI 543 1171	22	1x 230	1-7	2x 9	1223	8-9/13-14	2x 10.7
display	BV EI 543 1172	22	1x 230	1-7	1x 12	1834	9-13	1x 14.5
display	BV EI 543 1173	22	1x 230	1-7	2x 12	917	8-9/13-14	2x 14.5
display	BV EI 543 1174	22	1x 230	1-7	1x 15	1467	9-13	1x 17.9
display	BV EI 543 1175	22	1x 230	1-7	2x 15	734	8-9/13-14	2x 17.9
display	BV EI 543 1176	22	1x 230	1-7	1x 18	1223	9-13	1x 21
display	BV EI 543 1177	22	1x 230	1-7	2x 18	612	8-9/13-14	2x 21
display	BV EI 543 1178	22	1x 230	1-7	1x 24	917	9-13	1x 28

back to sizes

Individual EI 54 transformer version

EI 54 transformers, custom-made versions. - Dimensions without tolerances ± 0,3 mm

Parallel to the cataloged EI 54 series transformers, HAHN also produces other variants, e. g. with integrated thermo fuse or thermo switch, other housing-, fixing- and connective options as well as non-encapsulated transformers.



We also supply other dimensions and performance data. Ask us, we shall be glad to meet your special requirements!

