



Weatherproof enclosures for all corrosive environments



Used to create totally isolated assemblies

- ▶ **Robust and safe installations** thanks to class II and fiber glass reinforced polyester cabinets
- ▶ **8 sizes of cabinets and 3 sizes of enclosures** from 300 x 220 x 160 mm to 1800 x 800 x 400 mm
- ▶ **Equipment fixed directly at the back of cabinets** thanks to complete range of accessories

Marina cabinets polyester - IP 66 - IK 10



362 56



362 76



Technical characteristics (p. 289)

IP 66 according to IEC EN 60529
LCIE in process
IK 10 according to IEC EN 62262
Class II (used to create totally isolated assemblies acc. to EN 60439-1)
Fiber glass reinforced polyester
Self-extinguishing 960°C acc. to IEC EN 60695-2-11
Adapted to corrosive environment
Reversible door opening 180°, (except Cat.No 362 50)
Stainless steel hinge pins (except Cat.No 362 50)
2 double bar lock (1 for Cat.No 362 50)
Key-locking possibility with handle Cat.No 368 05 + key barrel (p. 296)
Direct fixing of equipment at bottom of cabinet (screws supplied)
Possible to fit a partial plate from 500 x 400 x 200 mm and/or rails on intermediate studs (except for Cat.No 362 50)
Optional depth adjustment from height 400 x width 300 mm with Cat.No 362 42

Pack	Cat.Nos	RAL 7035 cabinets	
		External dimensions (mm) Height x Width x Depth	Corresponding metal cabinets (mm) Height x Width x Depth
1	362 50	300 x 220 x 160	300 x 200 x 160
1	362 51	400 x 300 x 206	400 x 300 x 200
1	362 52	500 x 400 x 206	500 x 400 x 200
1	362 55	610 x 400 x 257	600 x 400 x 250
1	362 56	720 x 510 x 250	700 x 500 x 250
1	362 61	820 x 610 x 300	800 x 600 x 300
1	362 63	1020 x 810 x 300	1000 x 800 x 300
1	362 64	1220 x 810 x 300	1200 x 800 x 300

		RAL 7035 cabinets with glass door	
		Coloured toughened glass	
		External dimensions (mm) Height x Width x Depth	Window dimensions (mm) Height x Width
1	362 71	400 x 300 x 206	235 x 145
1	362 72	500 x 400 x 206	335 x 245
1	362 75	610 x 400 x 257	463 x 245
1	362 76	720 x 510 x 250	570 x 272
1	362 81	820 x 610 x 300	672 x 372
1	362 83	1020 x 810 x 300	770 x 495
1	362 84	1220 x 810 x 300	970 x 495

Marina cabinets equipment



Example of cabinets Cat.No 362 61 associated and equipped:
 - Lugs Cat.No 364 09
 - Internal door Cat.No 363 63 (p. 295)
 - Cabstop plate + kit Cat.No 364 98
 - Twin kit Cat.No 362 44
 - Depth adjustment kit Cat.No 362 42

Technical characteristics (p. 289)

Pack	Cat.Nos	Plinths RAL 7035
		Height 170 mm Front and rear trap door Possibility to overlap 2 plinths For cabinets Width x Depth (mm)
1	362 91	600 x 300
1	362 92	800 x 300

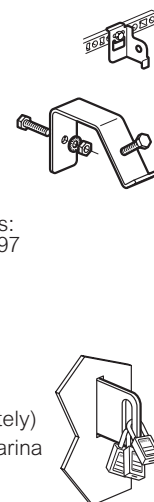
Pack	Cat.Nos	Roof RAL 7035
		For cabinets Width x Depth (mm)
1	362 93	500 x 250
1	362 94	600 x 300
1	362 95	800 x 300

Pack	Cat.Nos	Fixing accessories
		IP 66 maintained Wall mounting lugs Set of 4, supplied with screws For cabinets Height (mm) Static load max. (kg)
1	364 08	300 100
1	364 09	400 to 1200 150

Pack	Cat.Nos	Rear with threaded rod
10	362 40	M8 for cabinets height ≥ 400 mm Mounting at back of cabinets

Pack	Cat.Nos	On ground
		Stand comprised of 2 feet for fixing cabinets high up Supplied with cabinet fixing screws Conform with standard EN 50125-3 (railway applications, fixed installations) For cabinets Height (mm)
1	364 36	400-800
1	364 37	1000-1200
1	364 39	Anti-tipping cross-pieces Option of fitting castors Cat.No 329 68 (p. 892)

Pack	Cat.Nos	Accessories
1	362 42	Depth adjustment kit for cabinets depth ≥ 200 mm, for plate or uprights (p. 292, 294)
10	394 49	Set of 4 lugs, supplied with screws Set of 2 supports for 45° rail slope Supplied with 4 M6 screws, Ø6 mm, nuts and washers
1	364 98	Kit for mounting Cabstop plate on plane surface Enables mounting of 2 Cabstop plates: Cat.Nos 364 94 or 95, and 364 96 or 97 IP 55 maintained
1	362 44	Twin kit (horizontal or vertical) for cabinets ≥ 500 mm height Comprising: - 1 frame for cable crossing and weather proofing - 2 linking pieces for fixing lugs (Cat.No 364 09 to be ordered separately)
1	365 13	Padlock adaptor stainless steel for Marina cabinets height ≥ 400 mm additional to latches Takes 3 padlocks Ø6 max.



Other locking accessories (p. 296)



Stainless steel stands: please consult us

Marina enclosures

polyester - IP 66 - IK 10



Technical characteristics (p. 290)

IP 66 acc. to IEC EN 60529. IK 10 acc. to EN 622 62 (EN 50102). Class II (Used to create totally isolated assemblies acc. to EN 60439-1) Fiberglass reinforced polyester. Self-extinguishing 960°C acc. to IEC EN 60695-2-11. Adapted to corrosive environment Supplied with fixing kit for plain plates or sectionned uprights. Depth adjustment of equipment. Equipped with low cable entries plate. Reversible door with strand-holder
3 point closing with handle fitted with 1/2 locking latch 2433 A (other key code, please consult us). Stainless steel hinges and hinges axis

Pack	Cat.Nos	Enclosures RAL 7035	
		External dimensions (mm) Height x Width x Depth	Corresponding metal enclosures (mm) Height x Width x Depth
1	362 85	1460 x 800 x 463	1400 x 800 x 400
1	362 86	1660 x 800 x 463	1600 x 800 x 400
1	362 87	1860 x 800 x 463	1800 x 800 x 400

Pack	Cat.Nos	Plinths RAL 7035	
1	362 96	Height 170 mm Front and rear trap door Possibility to overlap 2 plinths For enclosure width 800 x depth 400 mm	

Pack	Cat.Nos	Roof RAL 7035	
1	362 97	For enclosure width 800 x depth 400 mm	

Equipment			
Plain plates			
Galvanized steel. Pre-marked pitch 100 mm Admissible load: 200 kg/m ²			
		For enclosures Height x Width (mm)	Net weight (kg)
1	349 59	1400 x 800	27
1	349 50	1600 x 800	30.5
1	344 18	1800 x 800	34

Lina 12.5 plates			
Galvanized steel. For mounting with sectionned uprights (except plain plate Cat.No 346 08) Admissible load: 50 kg/m ² Supplied with fixing screws			
		Plates Height x Width (mm)	Net weight (kg)
1	346 39	800 x 800	7.6
1	346 45	1000 x 800	9.6
1	346 08	1400 x 800	13.6

Lina 25 perforated plates			
Zinc steel. For mounting with sectionned uprights (except plain plate Cat.No 346 09) Admissible load: 50 kg/m ² Supplied with fixing screws			
		Plates Height x Width (mm)	Net weight (kg)
1	346 23	800 x 800	3.5
1	346 33	1000 x 800	4.6
1	346 09	1400 x 800	6.8

Pack	Cat.Nos	Internal doors RAL 7035		
		IP xxB steel. Textured polyester coated steel Double bar lock. Take key barrels and other knockouts (p. 296). Distance between enclosure door and internal door 78 mm. Right or left opening, handle included		
		For cabinets Height x Width (mm)	Dim. (mm) Height x Width	Usable dim. (mm) Height x Width
1	363 66	1400 x 800	1280 x 675	1200 x 580
1	363 67	1600 x 800	1480 x 675	1400 x 580
1	363 68	1800 x 800	1680 x 675	1600 x 580

Sectionned uprights			
For Lina 25 or rails. Set of 2 uprights zinc steel			
		For enclosures Height (mm)	Length (mm)
1	344 91	1400	1481
1	344 90	1600	1681
1	344 92	1800	1881

Lina 25 rail			
Zinc steel For enclosures width 800 mm Rail length: 690 mm			
		For enclosures Height (mm)	Length (mm)
10	344 87		
10	344 82		

Screws			
500	366 44	Rivet reinforced plastic Ø6 mm for drilling Ø6.5 mm	
100	347 45	Screw head H 4.8 x 16 mm self-drilling, self-tapping for Ø3.3 mm	
200	347 50	Screw caps for isolation of screw head Cat.No 347 45 inside the trunking	

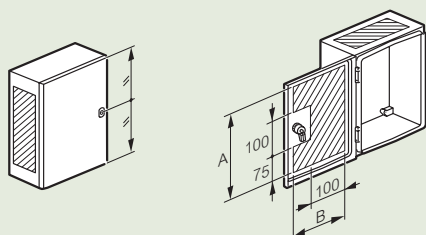
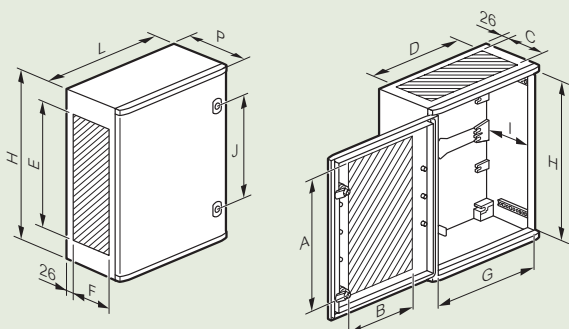
Lifting accessories			
1	362 46	Lifting brackets M14 Set of 4 brackets for max. load 500 kg/m ³ Supplied with blanking plates	
1	362 48	Assembly and lifting enclosures kit: - 2 support brackets - screws - weatherproof seal For 500 kg/m ³ lifting, order separately one set of 4 brackets Cat.No 362 46	

Metal document holder (for plans)				
RAL 7012. Fixed on door				
		For doors width (mm)	Internal dim. in mm Width (mm) Height (mm)	Depth (mm)
1	476 45	800	425 275	50

Marina cabinets

polyester - IP 66 - IK 10

■ Dimensions, weights and usable areas



Cat.Nos	Usable area (mm)									
	A ⁽¹⁾	B ⁽¹⁾	C	D	E	F	G	H	I	J
362 50	250	150	105	195	250	115	194	280	130	-
362 51/71	300	180	130	250	260	150	260	350	178	200
362 52/72	400	280	130	350	360	150	360	450	178	300
362 55/75	500	280	180	350	460	180	360	560	225	400
362 56/76	600	340	170	400	560	170	460	662	211	400
362 61/81	700	440	220	500	660	230	560	762	261	500
362 63/83	900	600	220	700	860	230	760	962	261	580
362 64/84	1100	600	220	700	1060	230	960	1162	261	700

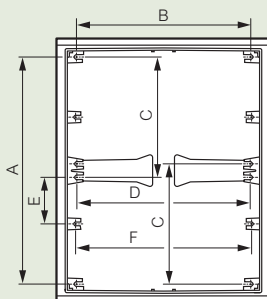
(1) Except window version

Cat.Nos	Dimensions H x W x D (mm)	Weight (kg)	Weight with window door (kg)
362 50	300 x 220 x 160	1.75	-
362 51/71	400 x 300 x 206	3.7	4
362 52/72	500 x 400 x 206	5.1	5.6
362 55/75	610 x 400 x 257	6.4	7
362 56/76	720 x 510 x 250	11.2	12.3
362 61/81	820 x 610 x 300	15.2	16.7
362 63/83	1020 x 810 x 300	21.8	23.9
362 64/84	1220 x 810 x 300	25	27.5

■ Equipment fixing

Cat.Nos	A (mm)	B (mm)	C (mm)	D (mm)	E ⁽¹⁾ (mm)	F (mm)
362 50	263	163	-	-	-	-
362 51/71	325	225	125	225	102.5	228.5
362 52/72	425	325	225	325	87.5	228.5
362 55/75	525	325	325	325	95	328.5
362 56/76	625	425	425	425	100	428.5
362 61/81	725	525	525	525	100	528.5
362 63/83	925	725	725	725	100	728.5
362 64/84	1125	725	925	725	100	728.5

(1) 2 studs on height Cat.No 362 50



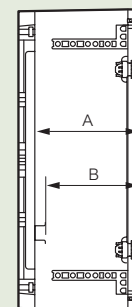
Partial plates mounting

Cabinet Cat.Nos	Plate dim. (mm)	Plate Cat.Nos		
		Plain	Lina 12.5	Lina 25
362 52/72	300 x 400	360 51	360 04	360 11
362 55/75	400 x 400	360 70	360 05	360 92
362 56/76	500 x 500	360 71	360 14	360 93
362 61/81	600 x 600	360 57	360 24	360 17
362 63/83	800 x 800	360 60	360 34	360 20
362 64/84	1000 x 800	360 61	360 21	360 42

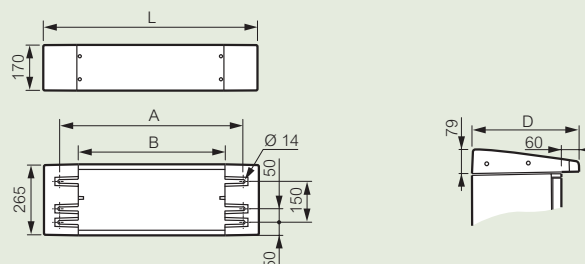


■ Adjustment of equipment (optional)

Cat.Nos	Plain plate (mm)		Chassis with rail (mm)	
	A max.	A min. (with Cat.No 362 42)	B max.	B min. (with Cat.No 362 42)
362 50	135	-	-	-
362 51/71	170	70	155	55
362 52/72	170	70	155	55
362 55/75	220	70	205	55
362 56/76	220	70	205	55
362 61/81	270	70	255	55
362 63/83	270	70	255	55
362 64/84	270	70	255	55



■ Plinths and roofs



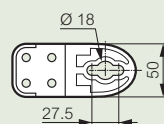
Plinths Cat.Nos	L (mm)	A (mm)	B (mm)	Weight (kg)
362 91	590	480	344	4.8
362 92	790	680	544	5.4

Roofs Cat.Nos	Width (mm)	D (mm)	Weight (kg)
362 93	510	310	1
362 94	612	360	1.3
362 95	812	360	1.7

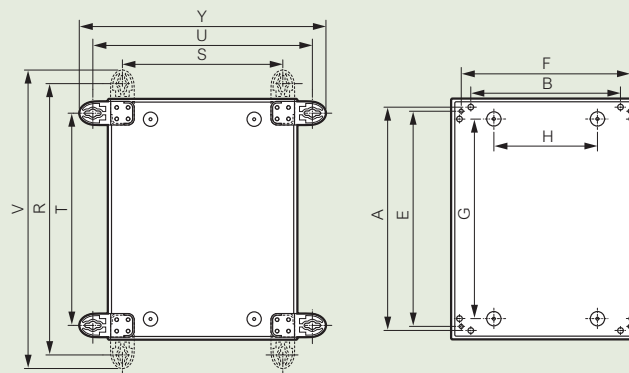
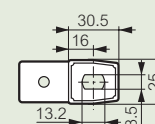
same fixing distances on ground and cabinet side

■ Fixing

Cat.No 364 09



Cat.No 364 08



Cat.Nos	On stands 364 36 (mm)		Direct fixing outside mounting plate and stand area 364 37 (mm)		Direct fixing rear of cabinet (mm)		With vertical brackets (mm)			With horizontal brackets (mm)		
	A	B	E	F	G	H	R	S	V	T	U	Y
362 50 ^(1/2)	-	-	-	-	220	150	330	190	359	270	250	279
362 51/71	364	218	358	259	325	120	470	241	525	341	370	425
362 52/72	464	318	458	359	425	220	570	341	625	441	470	525
362 55/75	574	318	558	358	525	220	680	341	735	551	470	525
362 56/76	683	427	664	468	600	200	789	441	844	641	579	634
362 61/81	781	525	764	568	700	300	887	548	942	758	677	732
362 63/83	981	725	964	768	900	500	1087	748	1142	958	877	932
362 64/84	1181	725	1164	768	1100	500	1287	748	1342	1158	877	932

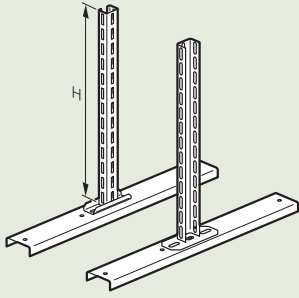
(1) With brackets Cat.No 364 08

(2) S and T dimensions: insert fixing centres

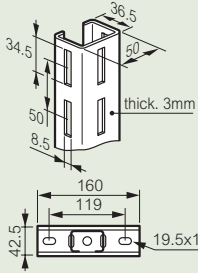
Marina cabinets

polyester - IP 66 - IK 10

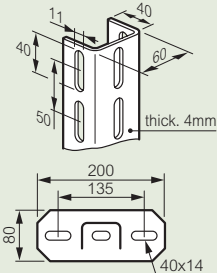
■ Stands



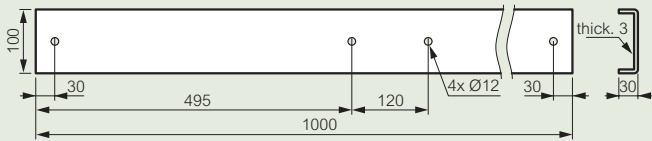
364 36 (H=1203 mm)



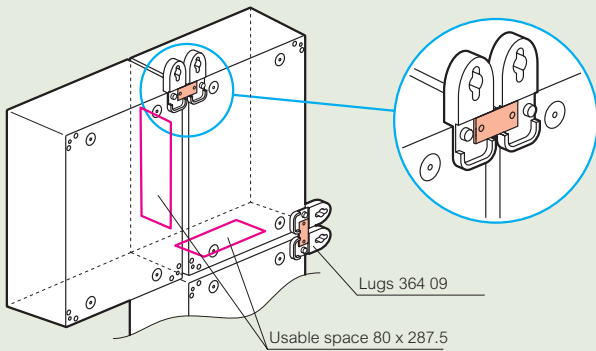
364 37 (H=1603 mm)



364 39



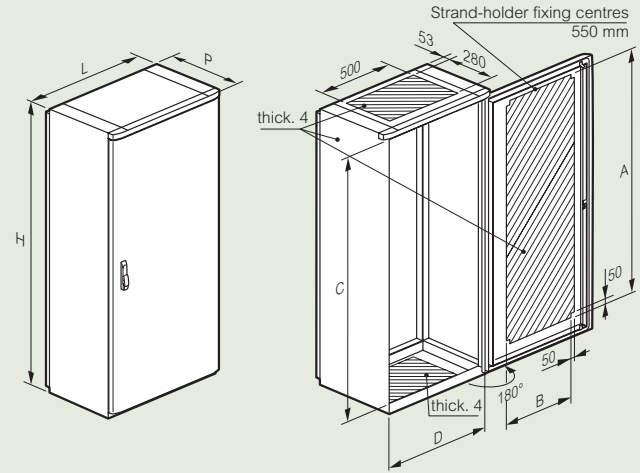
■ Coupling kit for cabinets Cat.No 362 44



Marina enclosures

polyester - IP 66 - IK 10

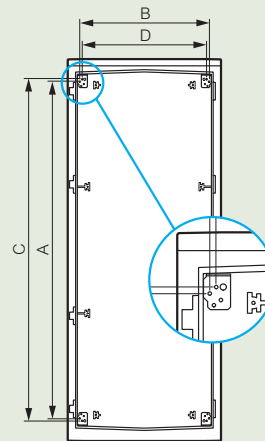
■ Dimensions weights and usable areas



Cat.Nos	Dimensions H x W x D (mm)	Weight (kg)	Usable areas (mm)			
			A	B	C	D
362 85	1460 x 800 x 463 ⁽¹⁾	49	1230	530	1300	700
362 86	1660 x 800 x 463 ⁽¹⁾	53	1430	530	1500	700
362 87	1860 x 800 x 463 ⁽¹⁾	57	1630	530	1700	700

(1) 487 with handle

■ Equipment fixing

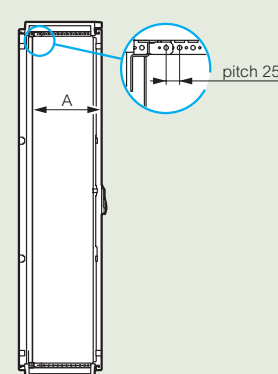


Cat.Nos	Plain plate		Sectioned uprights ⁽¹⁾	
	A	B	C	D
362 85	1225	675	1250	630
362 86	1425	675	1450	630
362 87	1625	675	1650	630

(1) for partial plates mounting

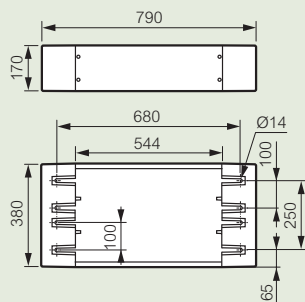
Use profiled uprights for mounting Lina 12.5 partial plates or Lina 25 perforated plates in enclosures 1600 and 1800 mm high

■ Adjustment of equipment



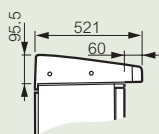
Plain plate (mm)		Partial plate (mm)		Chassis with rail (mm)	
A max	A min	A max	A min	A max	A min
379	109	357	88	351	82

■ Plinth Cat.No 362 96



Weight: 7 kg

■ Roof Cat.No 362 97

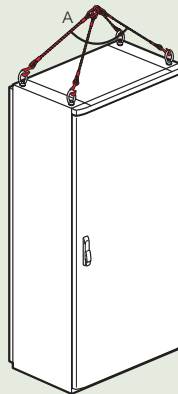


Width: 794 mm
Weight: 2.5 kg

■ Suggested lifting method

4 x 500 kg slings and 4 brackets

A } 120° → 600 kg
90° → 800 kg
60° → 1000 kg



■ Plates

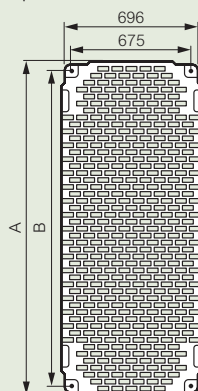
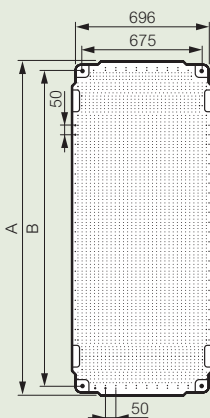
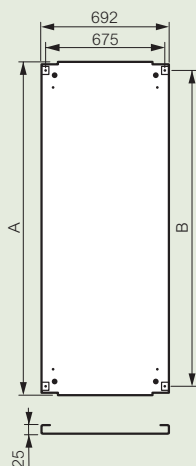
Choice of plates

Plate	Enclosures H. 1400 mm	Enclosures H. 1600 mm	Enclosures H. 1800 mm
Plain 	349 59	349 50	344 18
Lina 12.5 	346 08	2 x 346 39 + uprights 344 90	346 45 + 346 39 + uprights 344 92
Lina 25 perforated 	346 09	2 x 346 23 + uprights 344 90	346 33 + 346 23 + uprights 344 92

Plain plate

Lina 12.5 plate

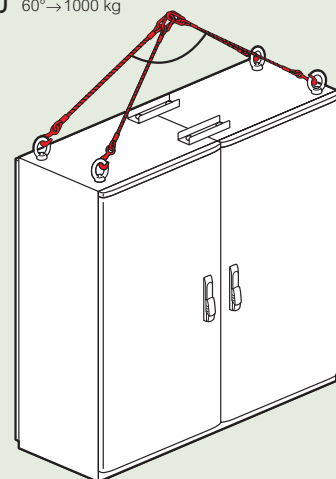
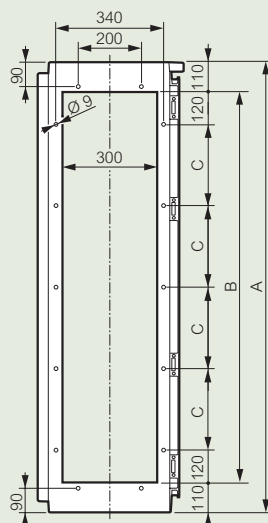
Lina 25 perforated plate



	Plain		Lina 12.5 and Lina 25 perforated	
	A	B	A	B
800	-	-	721	675
1000	-	-	921	875
1400	1292	1225	1296	1250
1600	1492	1425	-	-
1800	1692	1625	-	-

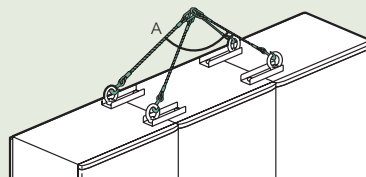
■ Assembly and lifting kit Cat.No 362 48 and lifting kit Cat.No 362 46

A } 120° → 600 kg
90° → 800 kg
60° → 1000 kg



Enclosures Cat.Nos	Enclosures dimensions (mm)	Dimensions (mm)		
		A	B	C
362 85	1400 x 800 x 400	1460	1240	250
362 86	1600 x 800 x 400	1660	1440	300
362 87	1800 x 800 x 400	1860	1640	350

A } 90° → 800 kg
60° → 900 kg

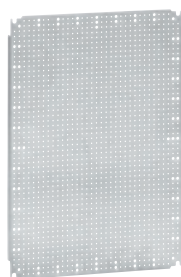


Atlantic, Atlantic stainless steel, Marina

common equipment for cabinets



360 58



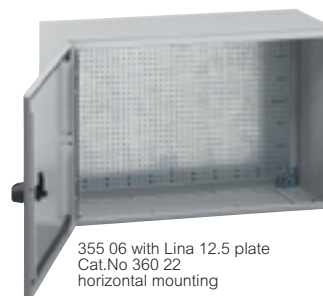
360 31



360 18



355 08 with Lina 12.5 plate
Cat.No 360 22
vertical mounting



355 06 with Lina 12.5 plate
Cat.No 360 22
horizontal mounting

Technical characteristics (p. 293)

Pack	Cat.Nos	Plain plates				
		Galvanized steel Vertical mounting for cabinets			Horizontal mounting for cabinets	
		Height (mm)	Width (mm)	Weight (kg)	Height (mm)	Width (mm)
1	360 49 ⁽¹⁾	300	220	0.9		
1	360 69	300	300	1		
1	360 52	300	400	1.3	400	300
1	360 70	400	400	1.7		
1	360 56	400	600	3.3	600	400
1	360 55	500	400	2.7		
1	360 71	500	500	3.5		
1	360 57	600	600	6.2		
1	360 59	600	800	8.4	800	600
1	360 54	600	1000	10.6	1000	600
1	360 58	700	500	6		
1	360 60	800	800	11.4		
1	360 61	800	1000	14.4	1000	800
1	360 63	1000	1000	20.5		
1	360 65	1000	1200	23	1200	1000
1	360 64	1200	800	18.5		
1	360 66	1200	1200	34.4		
1	360 67 ⁽²⁾	1400	800	26.4		
1	360 68	1400	1000	32.2		

Pack	Cat.Nos	Lina 12.5 plates				
		Galvanized steel. With drilling for fixing equipment without marking. Automatic bracket: - Ø6.5 mm for plastic rivet Cat.No 366 44 (trunking) - Ø3.3 mm for equipment with screw Cat.No 347 45			Horizontal mounting for cabinets	
		Height (mm)	Width (mm)	Weight (kg)	Height (mm)	Width (mm)
1	360 00 ⁽²⁾	300	200	0.4		
1	360 01 ⁽¹⁾	300	220	0.47		
1	360 02	300	300	0.6		
1	360 04	300	400	0.8	400	300
1	360 05	400	400	1.1		
1	360 22	400	600	2.2	600	400
1	360 09	500	400	1.5		
1	360 14	500	500	1.85		
1	360 24	600	600	3.7		
1	360 33	600	800	5.2	800	600
1	360 40	600	1000	6.8	1000	600
1	360 31	700	500	3.7		
1	360 34	800	800	7		
1	360 42	800	1000	9.2	1000	800
1	360 43	1000	1000	11.5		
1	360 47	1000	1200	13.9	1200	1000
1	360 46	1200	800	11.1		
1	360 48	1200	1200	16.7		
1	360 75 ⁽²⁾	1400	800	13		
1	360 79	1400	1000	16.2		

Pack	Cat.Nos	Lina 25 perforated plates		
		Galvanized steel Common for all types of cabinets For cabinets		
		Height x Width (mm)	Weight (kg)	
1	360 07 ⁽²⁾	300 x 200	0.4	
1	360 99 ⁽¹⁾	300 x 220	0.4	
1	360 91	300 x 300	0.5	
1	360 11	300 x 400	0.6	
1	360 12	400 x 300	0.6	
1	360 92	400 x 400	0.8	
1	360 13	400 x 600	1.1	
1	360 15	500 x 400	0.9	
1	360 93	500 x 500	1.1	
1	360 16	600 x 400	1.3	
1	360 17	600 x 600	2.1	
1	360 06	600 x 800	3.1	
1	360 08	600 x 1000	3.7	
1	360 18	700 x 500	2	
1	360 19	800 x 600	3.1	
1	360 20	800 x 800	4	
1	360 94	800 x 1000	5	
1	360 23	1000 x 600	3.7	
1	360 21	1000 x 800	4.9	
1	360 25	1000 x 1000	6.8	
1	360 10	1000 x 1200	8.5	
1	360 87	1200 x 800	7.1	
1	360 88	1200 x 1000	8.5	
1	360 89	1200 x 1200	10.1	
1	360 90 ⁽²⁾	1400 x 800	7.8	
1	360 98	1400 x 1000	10	
100	364 40	Clip-nuts for perforated plates Supplied without screw For M4 screws		
100	364 41	For M5 screws		
100	364 42	For M6 screws		

Pack	Cat.Nos	Accessories
500	366 44	Rivet reinforced plastic Ø6 mm for drilling Ø6.5 mm
100	347 45	Screw head 4.8 x 16 mm self-drilling, self-tapping for Ø3.3 mm
200	347 50	Screw cover for isolation of screw head Cat.No 347 45 inside the trunking

Other screws (p. 297)



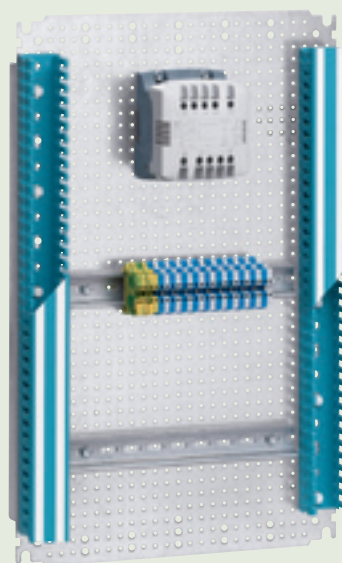
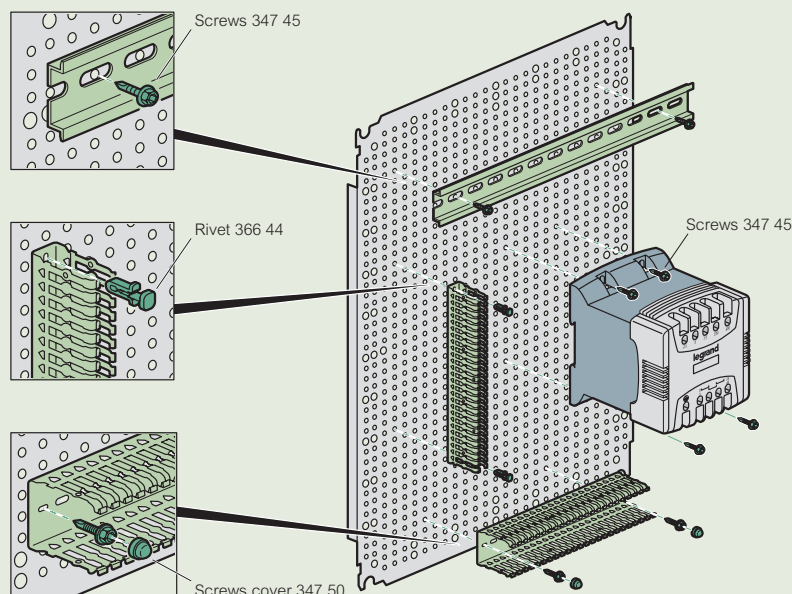
These products are part of industrial equipment > See p. 266-267

(1) For Marina cabinets
(2) For Atlantic and Atlantic inox

Atlantic, Atlantic stainless steel, Marina

common equipment for cabinets

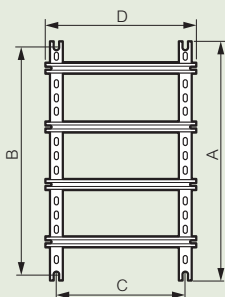
■ Mounting principle



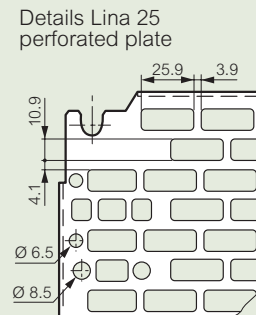
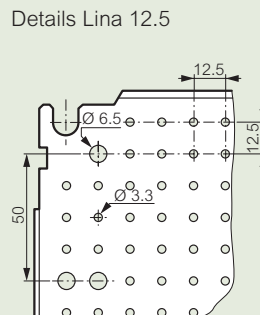
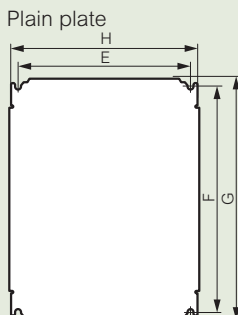
Fixing exemple on Lina 12.5 plate:
 - of a transformer with screws Cat.No 347 45
 - of a rail
 - of Lina 25 cable ducting (p. 362)

■ Dimensions

Assembled chassis with rails and Lina 25 uprights



Lina 12.5 plain plates and Lina 25 perforated plates



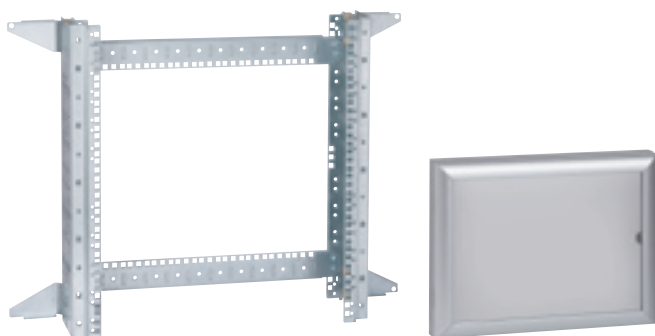
Dimensions of cabinets Height x Width (mm)	Uprights height		Rail length		Chassis fixing	
	A (mm)	D (mm)	B (mm)	C (mm)		
300 x 300	237	243	225	225		
300 x 400	237	343	225	325		
400 x 300	337	243	325	225		
400 x 400	337	343	325	325		
400 x 600	337	543	325	525		
500 x 400	437	343	425	325		
500 x 500	437	443	425	425		
600 x 400	537	343	525	325		
600 x 600	537	543	525	525		
600 x 800	537	743	525	725		
600 x 1000	537	943	525	925		
700 x 500	637	443	625	425		
800 x 600	737	543	725	525		
800 x 800	737	743	725	725		
800 x 1000	737	943	725	925		
1000 x 600	937	543	925	525		
1000 x 800	937	743	925	725		
1000 x 1000	937	943	925	925		
1000 x 1200	937	1143	925	1125		
1200 x 800	1137	743	1125	725		
1200 x 1000	1137	943	1125	925		
1200 x 1200	1137	1143	1125	1125		
1400 x 800	1337	743	1325	725		
1400 x 1000	1337	943	1325	925		

Cabinets dimensions Height x Width (mm)	Dimensions of plates Plain / Lina 12.5 / 25 plates		Usable space for equipment (dm ²)	Mounting of plates	
	G (mm)	H (mm)		F (mm)	E (mm)
300 x 200	256	156	4.2	225	125
300 x 220	275	192	5.3	263	163
300 x 300	256	256	6.2	225	225
300 x 400 ⁽¹⁾	256	356	8.2	225	325
400 x 300 ⁽¹⁾	356	256	8.2	325	225
400 x 400	356	356	11.7	325	325
400 x 600 ⁽¹⁾	356	556	18.7	325	525
500 x 400	456	356	15.2	425	325
500 x 500	456	456	19.2	425	425
600 x 400 ⁽¹⁾	556	356	18.7	525	325
600 x 600	556	556	29.7	525	525
600 x 800 ⁽¹⁾	556	756	40.7	525	725
600 x 1000 ⁽¹⁾	556	956	51.7	525	925
700 x 500	656	456	28.7	625	425
800 x 600 ⁽¹⁾	756	556	40.7	725	525
800 x 800	756	756	55.7	725	725
800 x 1000 ⁽¹⁾	756	956	71.7	725	925
1000 x 600 ⁽¹⁾	956	556	51.7	925	525
1000 x 800 ⁽¹⁾	956	756	70.7	925	725
1000 x 1000	956	956	89.7	925	925
1000 x 1200 ⁽¹⁾	956	1156	108.7	925	1125
1200 x 800	1156	756	85.7	1125	725
1200 x 1000 ⁽¹⁾	1156	956	108.7	1125	925
1200 x 1200	1156	1156	131.7	1125	1125
1400 x 800	1356	756	100.7	1325	725
1400 x 1000	1356	956	127.7	1325	925

(1) For horizontal or vertical mounting

Atlantic, Atlantic stainless steel, Marina

common equipment for cabinets



340 71 supplied not assembled

475 45



363 13



367 36



Metal Atlantic cabinet

Technical characteristics (p. 296)

Pack	Cat. Nos	Lina 25 sectioned uprights		
		Set of 2 uprights		
		For cabinets height (mm)	Length (mm)	Section
5	361 50 ⁽¹⁾	300	237	
5	361 51	400	337	
5	361 52	500	437	
5	361 53	600	537	
5	361 54	700	637	
5	361 55	800	737	
5	361 56	1000	937	
1	361 58	1200	1137	
1	361 59 ⁽¹⁾	1400	1337	
10	361 92	Upright to be cut Length 3 m - Section L		

Pack	Cat. Nos	Lina 25 rail		
		Rail		
		For fixing onto uprights with clip nut Cat.No 364 42 and screw-washer Cat.No 367 75 (p. 297)		
		For cabinets width (mm)	Crosspiece length (mm)	Section
10	367 80	300	243	
10	367 81	400	343	
10	367 82	500	443	
10	367 83	600	543	
10	367 84	800	743	
10	367 85	1000	943	
10	367 86	1200	1143	
		Rail to be cut, length 2 m		
10	374 02	Asymmetrical EN 60715		
10	374 07	Symmetrical depth 15 mm, th. 1.5		
10	374 04	Symmetrical EN 60715 depth 7.5 mm		
10	477 22	depth 7.5 mm with oblongs		
10	477 23	depth 15 mm with oblongs		

Pack	Cat. Nos	Protective conductor lug	
5	367 36	Support lug for protection copper bar	
		Wall-mounting VDI chassis for Atlantic, Atlantic stainless steel and Marina cabinets	
		For integrating 19" VDI equipment in Atlantic, Atlantic stainless steel and Marina cabinets, width 600 x 800 mm and depth 250 mm min.	
		In 400 mm wide cabinets, the chassis can to integrate VDI equipment from the mini XL self-locking with tightening indicator cabinet	
		Can be fixed directly to the wall to create a wall-mounting chassis (without cabinet)	
		Self-locking cable ties and cable ties with tightening indicator (p. 897) can be fitted	
1	340 70	6 U chassis	
1	340 71	12 U chassis	
1	340 72	16 U chassis	


Pack	Cat. Nos	Copper bars			
		Copper bars with tapped holes			
		Cross-section (mm)	Permis I (A)	Tapped holes Ø mm Pitch	Length (mm)
10	373 88	12 x 2	110	M5 18	990
10	373 89	12 x 4	160	M5 18	990

Pack	Cat. Nos	Copper bars (continued)		
100	373 65 ⁽²⁾	Connectors for bars with tapped holes 1 or 2 conductor from 1.5 to 10 mm ² (supplied with Ø5 mm screws)		
		Non perforated copper bar		
		Cross-section (mm)	Permis I (A)	Length (mm)
10	373 49	12 x 4	180	991.5
		Connectors for bar Cat.No 373 49		
100	373 60	1.5 to 4 mm ²		
10	373 61	6 to 16 mm ²		
10	373 62	10 to 35 mm ² (supplied with M6 CHC Ø5 mm)		

Pack	Cat. Nos	Door contact	
1	363 13	For example, switches off the air conditioning and the power supply to the lighting immediately an enclosure door is opened 6 A - 250 V 1 NC contact + 1 NO contact For Atlantic cabinets Supplied with fixing lug	

Pack	Cat. Nos	Hinged glass doors					
		IP 54 Anodised aluminium frame Polycarbonate window, 3 mm stick Neoprene seal 455 key lock. 120° opening Supplied complete with drilling template For devices on front panels. Protect the devices and prevent accidental operation					
		Width (mm)	Height (mm)	External dim. Width (mm)	Window Height (mm)	Window Deph (mm)	Usable Depth (mm)
1	475 45	300	400	50	230	330	42
1	475 46	400	400	50	330	330	42
1	475 47	500	500	50	430	430	42

Pack	Cat. Nos	Self adhesive document holder (for plans)				
		Open - RAL 7035				
		External dim. in mm		Internal dim. in mm		
		Width (mm)	Height (mm)	Width (mm)	Height (mm)	Depth (mm)
20	365 80	340	235	310	200	18
20	365 81	260	165	230	130	18
		Closed - RAL 9002				
1	365 82	Rigid plastic - IP 50 Internal dimensions: 324 x 120 x 18 mm				
		Transparent				
10	097 99	Flexible plastic - A4 - 320 x 220 mm				



Horizontal or vertical fixing kit on post

please consult us

(1) For Atlantic and Atlantic stainless steel cabinets
(2) Protective conductor per connector (art. 12 of French decree of 14/11/89)

Atlantic, Atlantic stainless steel, Marina

distribution equipment for cabinets



361 03 mounted in cabinet
Cat.No 354 94



363 60 mounted in Atlantic metal cabinets Cat.No 355 03 with Cat.No 363 69



Accept key barrel



363 60 mounted in Atlantic stainless steel cabinets Cat.No 352 02

Pack Cat. Nos Chassis with insulating faceplates RAL 7035

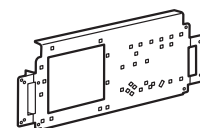
Pack	Cat. Nos	Description	Diagram
1	361 01	Symmetrical rails 15 mm depth Supplied complete with uprights and faceplates Space between door and faceplate Atlantic: Depth 200: 70 mm Atlantic stainless steel: Depth 250: 80 mm Marina: Depth 300: 90 mm Self extinguishing 750 °C acc. to IEC EN 60695-2-11 For cabinets Height x width x Depth (mm) 400 x 300 x 200 30 modules (3 rows of 10) Supplied with 1 blanking plate	
1	361 02	500 x 400 x 200 48 modules (3 rows of 16) Supplied with 1 blanking plate	
1	361 03	600 x 400 x 250 48 modules (3 rows of 16) Supplied with 1 blanking plate	
1	361 05	700 x 500 x 250 84 modules (4 rows of 21) Supplied with 1 blanking plate	
1	361 06	800 x 600 x 300 108 modules (4 rows of 27) Supplied with 2 blanking plates Can take in 1 st row a mounting plate Cat.No 360 44	
1	361 09	1 000 x 800 x 300 190 modules (5 rows of 38) Supplied with 2 blanking plates Can take in 1 st row a mounting plate Cat.No 360 45	
1	361 10	1 200 x 800 x 300 228 modules (6 rows of 38) Supplied with 2 blanking plates Can take in 1 st row a mounting plate Cat.No 360 45	

Pack Cat.Nos Blanking plate

10 361 00 38 modules, length 684 mm

1 360 44 Mounting plates

For 800 x 600 mm cabinets for DPX 125, 160 MCCBS or Vistop 160 A
1 360 45 For 1 000 x 800 mm or 1 200 x 800 mm cabinets For 1, 2 or 3 DPX 125,160, 250ER MCCBS or Vistop 160 A



Internal doors RAL 7035

For direct mouting in Atlantic stainless steel and Marina cabinets, with Cat.No 363 69 in Atlantic metal cabinets
IP XXB
Polyester fiber glass reinforced, height 4 mm
Self-extinguishing 960°C acc. to IEC EN 60695-2-11
Grid lines integrated on back
Centre marking on front
Adjustable distance between cabinet door and internal door: 42 to 50 mm for Atlantic cabinets, more than 100 mm for Marina cabinets
Right or left opening, captive hinge pins
Double bar key: 1 key for 400 to 600 mm height, 2 keys for height from 700 mm
Take key barrels and other barrels

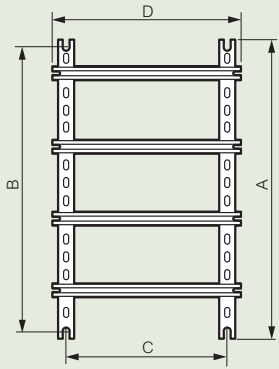
For cabinets Height x Width(mm)	Dim. (mm)		Usable dim. (mm) Height x Width
	Height	Width	
1 363 59 400 x 300	341	236	305 x 185
1 363 60 500 x 400	441	336	405 x 250
1 363 61 600 x 400	541	336	505 x 250
1 363 62 700 x 500	642	436	500 x 340
1 363 63 800 x 600	742	536	600 x 440
1 363 64 1000 x 800	942	736	800 x 640
1 363 65 1200 x 800	942	736	800 x 640

1 363 69 Accessory for mounting internal doors in Atlantic metal cabinets.

Atlantic, Atlantic stainless steel, Marina

common equipment for cabinets (continued)

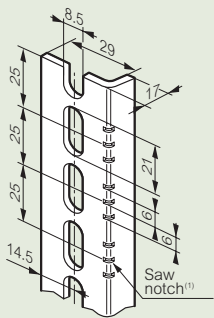
Assembled chassis with rails and Lina 25 uprights



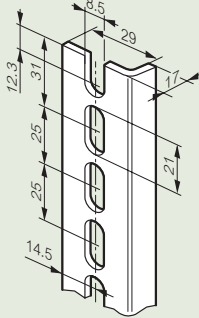
Dimensions of cabinets Height x Width (mm)	Uprights height		Rail length		Chassis fixing	
	A (mm)	D (mm)	B (mm)	C (mm)		
300 x 300	237	243	225	225		
300 x 400	237	343	225	325		
400 x 300	337	243	325	225		
400 x 400	337	343	325	325		
400 x 600	337	543	325	525		
500 x 400	437	343	425	325		
500 x 500	437	443	425	425		
600 x 400	537	343	525	325		
600 x 600	537	543	525	525		
600 x 800	537	743	525	725		
600 x 1000	537	943	525	925		
700 x 500	637	443	625	425		
800 x 600	737	543	725	525		
800 x 800	737	743	725	725		
800 x 1000	737	943	725	925		
1000 x 600	937	543	925	525		
1000 x 800	937	743	925	725		
1000 x 1000	937	943	925	925		
1000 x 1200	937	1143	925	1125		
1200 x 800	1137	743	1125	725		
1200 x 1000	1137	943	1125	925		
1200 x 1200	1137	1143	1125	1125		
1400 x 800	1337	743	1325	725		
1400 x 1000	1337	943	1325	925		

Lina 25 sectioned uprights and uprights to be cut

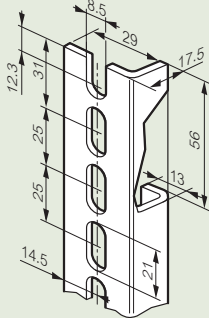
Cat.No 361 92



Cat.Nos 361 50/51/52/
53/54/55/56



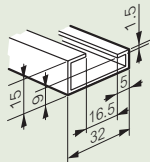
Cat.No 361 58/59



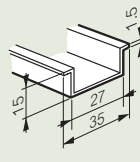
(1) Saw notch for upright length x pitch 25, the 2 others for uprights Cat.Nos 361 50/51/52/53/54/55/56

Rails

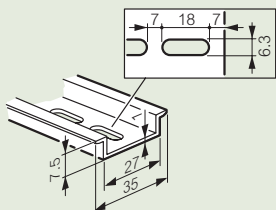
Cat.No 374 02



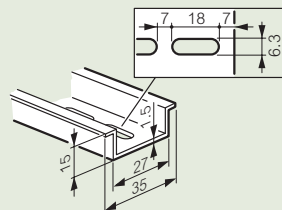
Cat.Nos 367 80/81/82/83/84/85/86
and 374 07



Cat.No 477 22



Cat.No 477 23



locking accessories

Pack Cat.Nos Lock housings for rebate locks or key barrels

10	368 04	For Atlantic, Atlantic stainless steel and Marina cabinets Lock	
10	368 05	Knob (with blanking plate)	
10	368 06	Knob fitted with key barrel 2433 A	
1	365 11	Padlocking Takes 3 safety padlocks Cat.No 227 97 (p. 154) Shackle Ø6 mm max. For fitting on Atlantic, Atlantic stainless steel and Marina knob or lock RAL 7021 painted steel	
1	365 13	Padlock adaptor stainless steel for Marina cabinets height ≥ 400 mm additional to latches Takes 3 padlocks Ø6 max.	

Locking latches

10	365 30	For Marina cabinets	
10	368 43	For Atlantic 1-door cabinet	

Metal rebate locks

10	368 17 ⁽¹⁾	Triangle male 6.5 mm	
10	368 18 ⁽¹⁾	Triangle male 8 mm	
10	368 19 ⁽¹⁾	Triangle male 11 mm (EDF)	
10	368 20 ⁽¹⁾	Double bar	

Key barrels

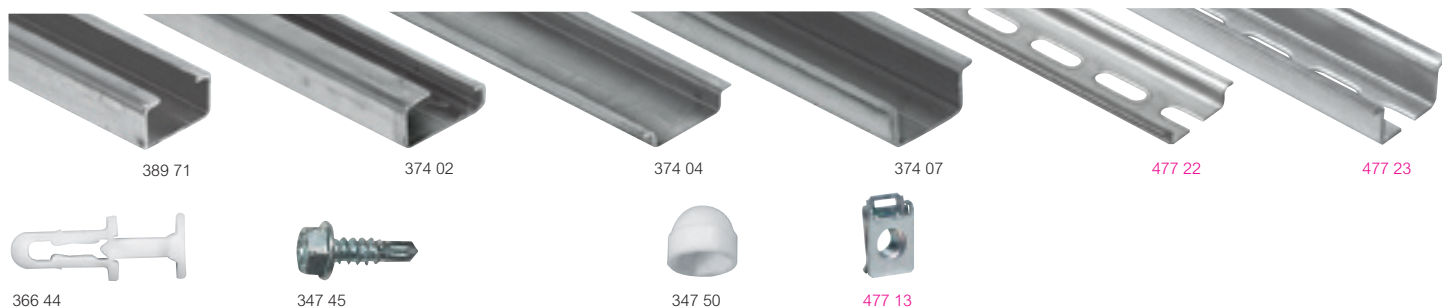
		Supplied with set of 2 keys For key No	
10	368 22 ⁽¹⁾	405	
10	368 23 ⁽¹⁾	421	
10	368 24 ⁽¹⁾	455	
10	368 25 ⁽¹⁾	1242 E	
10	368 26 ⁽¹⁾	2433 A	
10	368 27 ⁽¹⁾	3113 A	
10	365 45 ⁽¹⁾	Set of two 2433 A keys Other key code: please consult us	

Metal keys for rebate locks

10	365 39	Triangle male 6.5 mm	
10	365 40	Triangle male 8 mm	
10	365 41	Triangle male 11 mm (EDF)	
10	365 42	Double bar	
1	368 42	Multi-size key for rebate locks: square male 8 mm, square male 6 mm, Triangle male 8 mm and double bar	

(1) Except Marina enclosures: please consult us

uprights, rails and fixing accessories for cabinets and enclosures



389 71

374 02

374 04

374 07

477 22

477 23

366 44

347 45

347 50

477 13

For mounting chassis and fixing wiring accessories

Pack	Cat.Nos	Uprights to be cut
10	361 92	Lina 25 Length 3 m - Section
10	361 94	Length 2 m - Section
10	389 71	On C profile rail Section th. 1.5 mm

Pack	Cat.Nos	Rails to be cut
10	374 02	Length 2 m Zinc Asymmetrical EN 60 715
10	374 04	Symmetrical EN 60 715 depth 7.5 mm
10	374 07	Symmetrical depth 15 mm, th. 1.5 mm
10	389 71	Section th. 1.5 mm
10	477 22	depth 7.5 mm with oblongs
10	477 23	depth 15 mm with oblongs

Pack	Cat.Nos	45° mounting bracket
10	394 49	Set of 2 supports for 45° rail slope Supplied with 4 M6 screws Ø6 mm, nuts and washers

Pack	Cat.Nos	Fixing accessories
100	347 46	On plain plates CBL Z 5.5 x 16 PZ No 3 self-tapping screw
100	347 47	CBL Z 5.5 x 19 self-drilling tapping screw
500	366 44 ⁽¹⁾	On Lina 12.5 plates Rivet reinforced plastic Ø6 mm for drilling Ø6.5 mm
100	347 45	Screw head H 4.8 x 16 mm self-drilling, self-tapping for Ø3.3 mm
200	347 50	Screw caps for isolation of screw head Cat.No 347 45
100	364 40	On Lina 25 perforated plates Clip-nuts for uprights and perforated plates Lina 25 Supplied without screw
100	364 41	For M4 screws
100	364 42	For M5 screws
100	364 42	For M6 screws
50	477 12	Clip-nuts for cabinet frame and crosspieces with pins which provide earth continuity For M 6 screw
50	477 13	For M 8 screw
100	364 61	On rails EN 60 715 Fixobar for M 4 screw
100	364 62	Fixobar for M 5 screw
100	364 63	Fixobar for M 6 screw

Pack	Cat.Nos	Fixing accessories (continued)
20	364 66	Adaptor For mounting on rail equipment fitting on rail
100	364 78	On rails EN 60 715 For M 4 screw
100	364 79	For M 6 screw
10	044 16	On rails EN 60 715 Claw width 10 mm Threaded hole For M 4 screw
50	044 17	Claw width 17.5 mm Smooth hole 3.8 mm Supplied with fixing screw Ø3.5 mm Length 13 mm
100	374 39	Claw width 35 mm Holes for M 4 and M 6 screws
40	364 69	Fixomega for M 4 screw
100	364 82	On C profile rail Stirrup for M 6 screw
20	364 50	Cage nuts For mounting on square perforation 8.3 x 8.3 mm M 4
20	364 51	M 5
20	364 52	M 6
50	367 75	HF screw with contact washer M 6-10 HF screws with contact washers

(1) Can also be used on Lina 25 perforated plate