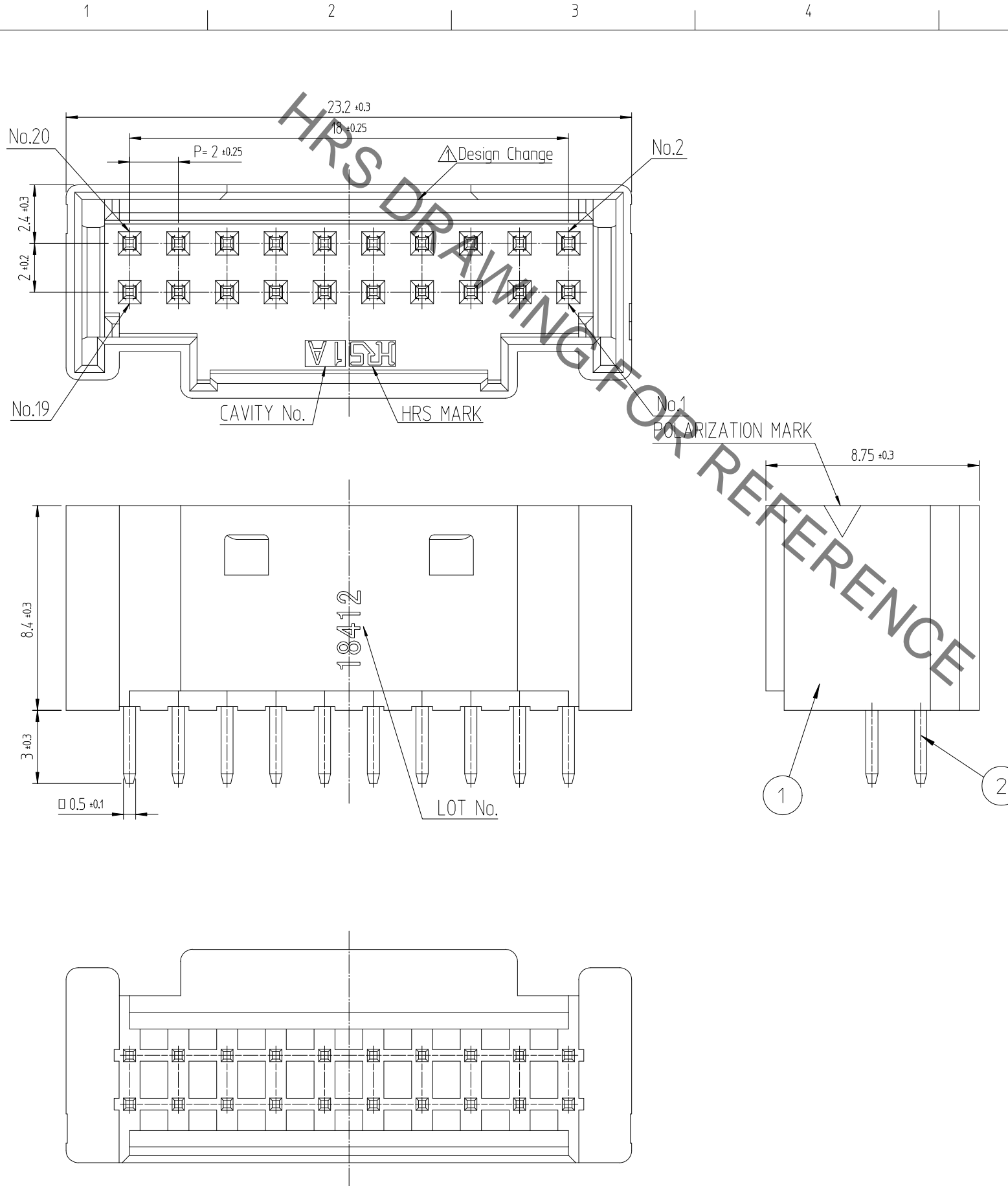
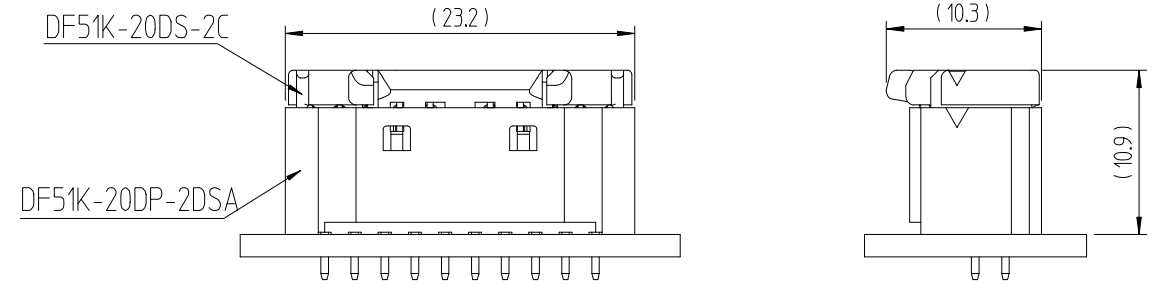
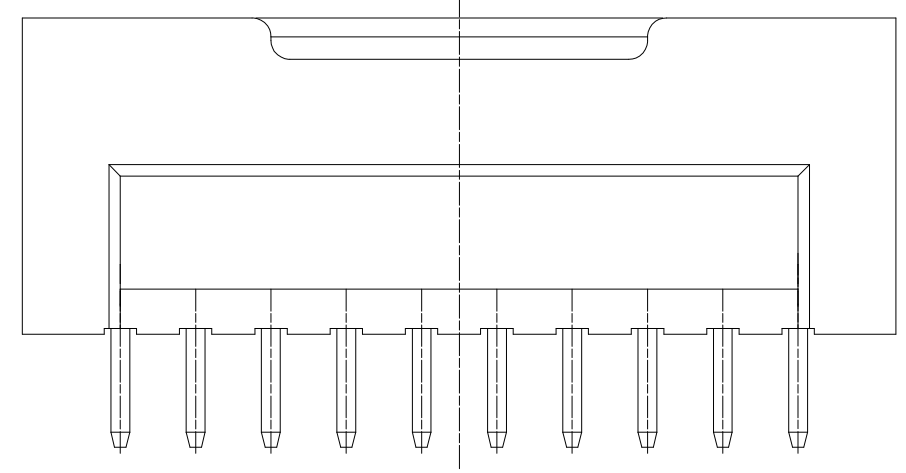
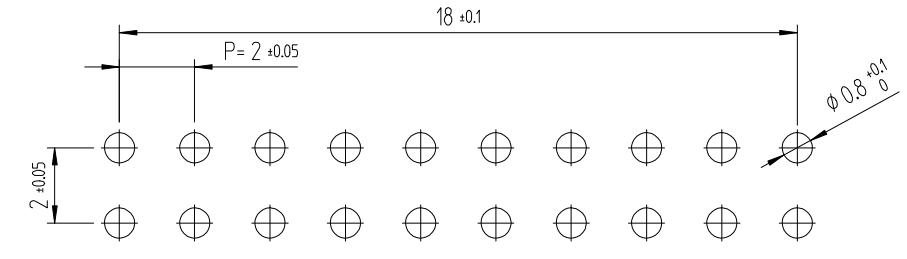


Dec.1.2019 Copyright 2019 HIROSE ELECTRIC CO., LTD. All Rights Reserved.
In case of consideration for using Automotive equipment / device which demand high reliability, kindly contact our sales window



| △數 COUNT | 訂正事項 DESCRIPTION OF REVISIONS | 擔當 B Y | 檢圖 CHKD | 年月日 DATE | △數 COUNT | 訂正事項 DESCRIPTION OF REVISIONS | 擔當 B Y | 檢圖 CHKD | 年月日 DATE |
|-------------|----------------------------------|-----------|------------|-------------|-------------|----------------------------------|-----------|------------|-------------|
| 1 | RE-6-1150 | K.I.Y | L.S.M | 18. 07. 04 | | | | | |
| | | | | | | | | | |
| | | | | | | | | | |

RECOMMENDED LAND PATTERN (FREE)
(PCB THICKNESS t=1.6mm)



NOTE 1. 1PACK CONTAINS 100PCS.
2. () DIMENSIONS ARE ONLY REFERENCE.

| 1 NO. | PBT MATERIAL | UL94V-0, BLACK FINISH,REMARKS | 2 NO. | BRASS MATERIAL | TIN PLATING 1μm MIN, OVER NICKEL 0.5μm MIN FINISH,REMARKS |
|-----------------------------|-----------------|----------------------------------|-------------------------------------|-------------------|---|
| CODE NO. (OLD) | | | DRAWN CHOI 17.12.22 J.S | | |
| | | | DESIGNED CHOI 17.12.22 J.S | | |
| | | | CHECKED LIM 17.12.22 S.M | | |
| | | | APPROVED KANG 17.12.22 T.S | | |
| | | | RELEASED | | |
| DRAWING NO. EDC3-632465 | | | PART NO. DF51K-20DP-2DSA (800) | | |
| SCALE 5:1 UNITS mm | | | CODE NO. CL 6652-0014-3 -800 | | |
| HRS HIROSE KOREA CO.,LTD. | | | 1/1 | | |