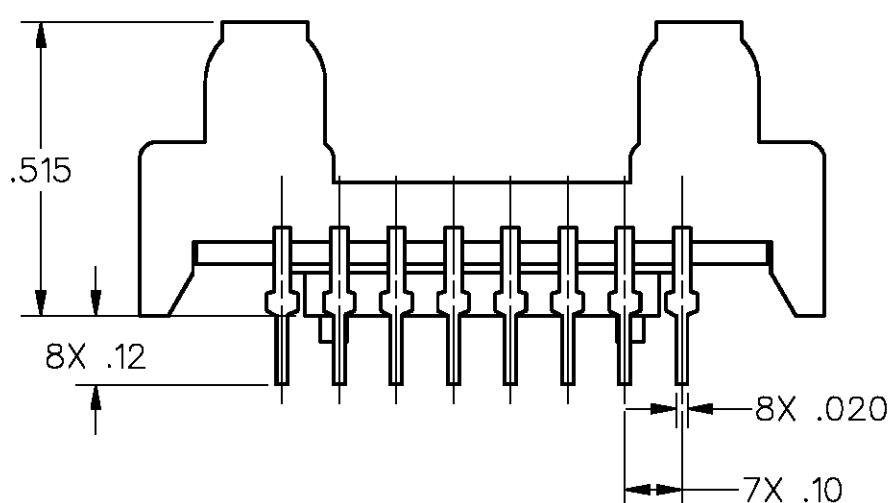
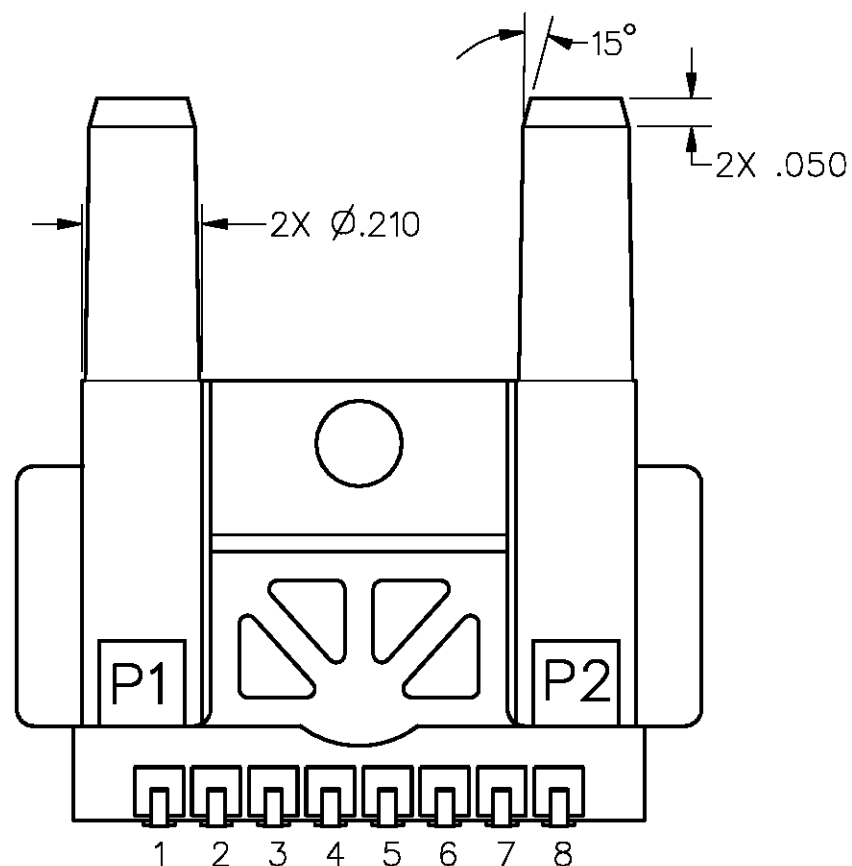


NOTES
 1 CUSTOMER SUPPLIED 24.9D MATCHED RESISTORS
 2 CUSTOMER SUPPLIED

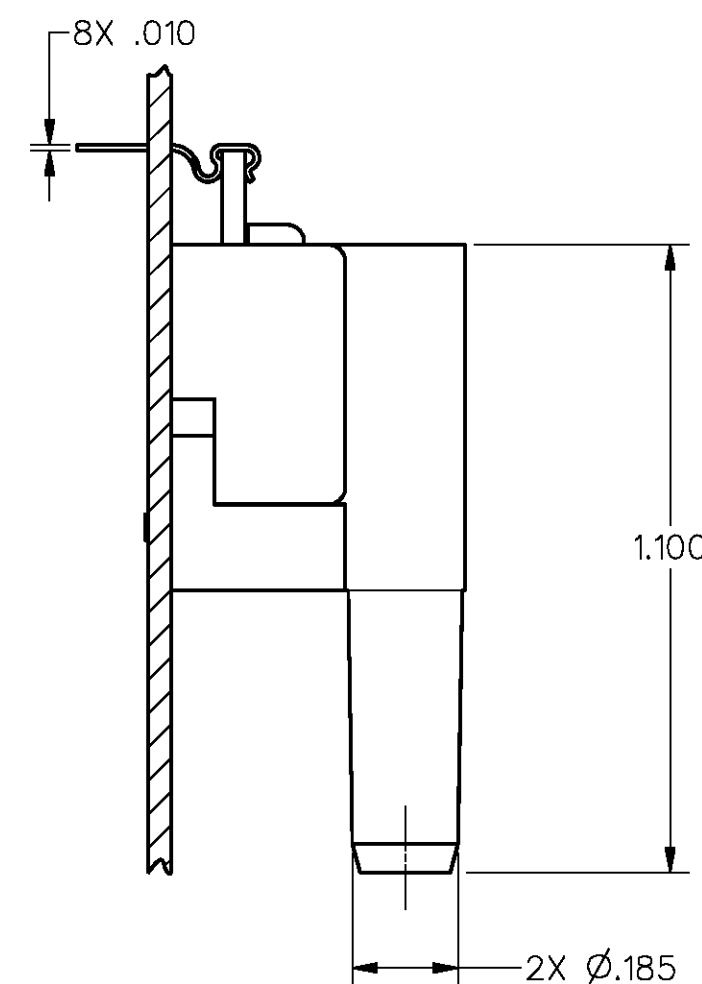
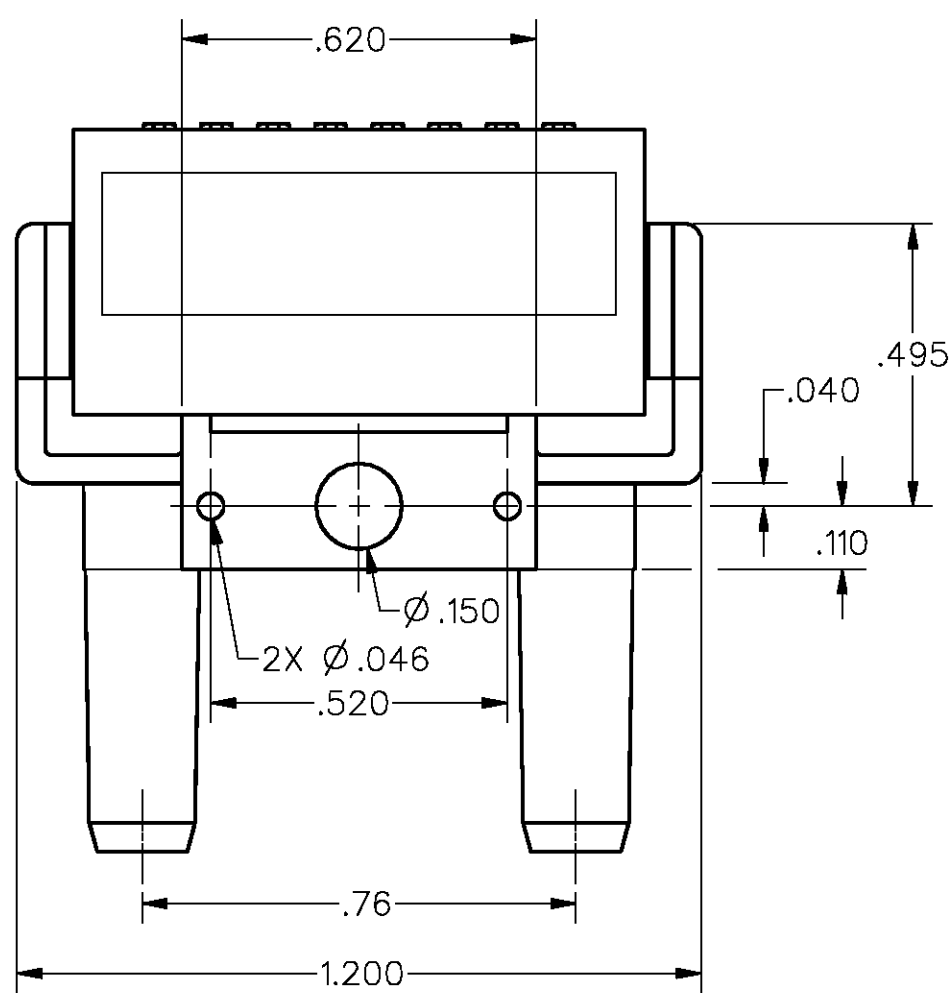
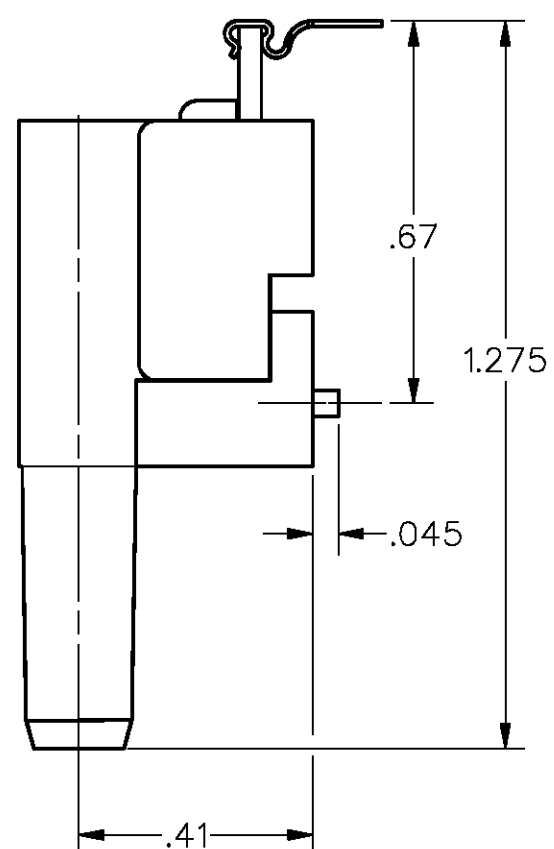


SPECIFICATIONS:

| | MIN | TYP | MAX |
|------------------------------------|------------------|-----|---------|
| SUPPLY VOLTAGE | 8 | 10 | 15 VDC |
| POWER CONSUMPTION | 50mW | | |
| REPEATABILITY & HYSTERESIS | ±.1% READING TYP | | |
| RESPONSE TIME | 3mSEC S.O. TYP | | |
| RATIOMETRICITY ERROR | ±.3% | | |
| OVERPRESSURE | 25 PSI | | |
| AIRFLOW AT 2.0 IN H ₂ O | 60 | 75 | 90 SCCM |
| OPERATING TEMPERATURE | -20 | 25 | 80° C |
| STORAGE TEMPERATURE | -40 | | 90° C |
| SHOCK RATING | 100 g PEAK | | |

OUTPUT SPECIFICATIONS AT 10 VDC:

| | |
|--|---------------------|
| NULL VOLTAGE | 0±15 Mv |
| OUTPUT AT 2.0 IN H ₂ O | 45±25mV P1 TO P2 |
| NULL OUTPUT SHIFT (-20°C TO +80°C) | ±1 mV MAX |
| FULL SCALE OUTPUT SHIFT (-20°C TO +80°C) | ±.5%/°C READING MAX |



THIRD ANGLE PROJECTION

SCALE 3 : 1

DO NOT SCALE PRINT

UNLESS OTHERWISE SPECIFIED TOLERANCES ARE

| | | |
|--------------|--------|-------|
| ONE PLACE | (.0) | ±.030 |
| TWO PLACES | (.00) | ±.015 |
| THREE PLACES | (.000) | ±.005 |
| ANGLES | | ± |

WEIGHT

THIS DRAWING COVERS A PROPRIETARY ITEM AND IS THE PROPERTY OF MICRO SWITCH, A DIVISION OF HONEYWELL. THIS DRAWING IS NOT TO BE COPIED OR USED WITHOUT THE APPROVAL OF MICRO SWITCH.

MICRO SWITCH
 a Honeywell Division

AIRFLOW SENSOR

CATALOG LISTING
 AWM92200V

MASTER REDUCED
 ANSI Y14.5M-1982 APPLIES

FED. MFG. CODE 91929

DRAWING NUMBER: AWM92200V
 PAGE 1 OF 1
 ISSUE: 3
 REVISIONS:
 A 92489 16 MAR 98
 B 0006259 26 JUN 04
 DDM/CAD DRAWN
 J J A 12 MAR 95 CHECK J A F 22 MAR 95 CHECK AK
 RELEASE NO. PR-21491 REPLACES X97151-AW