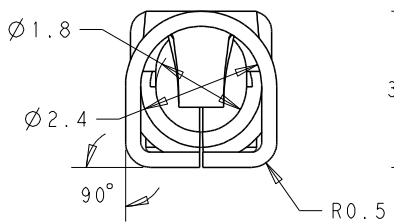
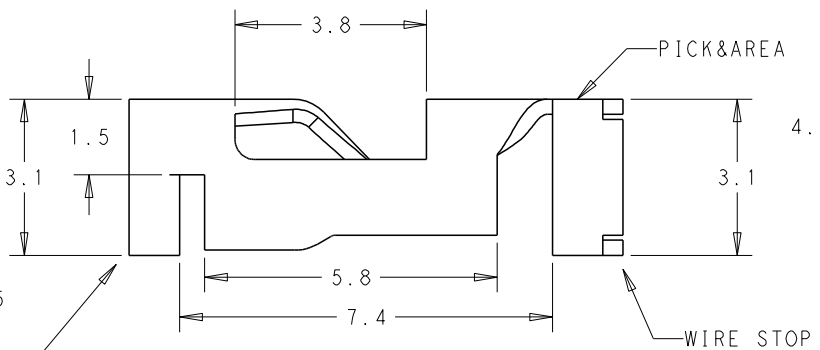
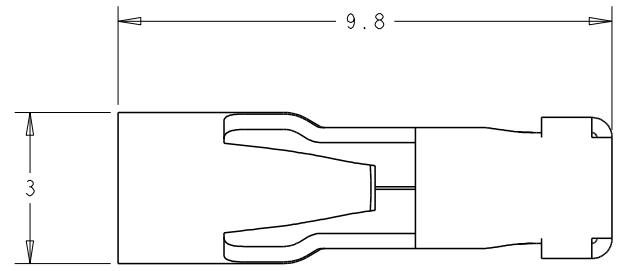
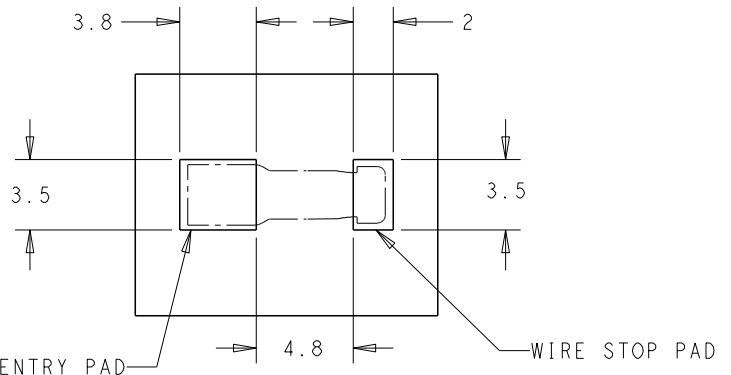


REVISIONS					
P	LTR	DESCRIPTION	DATE	DWN	APVD
	A	ECR-15-012173, RELEASE TO PRODUCTION	18AUG2015	GF	SM
	A1	ECR-15-012490, UPDATE NOTE DESCRIPTION	24AUG2015	GF	SM
	A2	ECR-19-000497 UPDATE PAD DESCRIPTION	10JAN2019	G.F	S.M

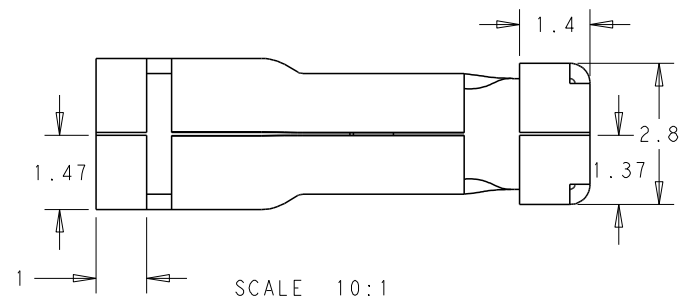
- NOTES :
- △ MATERIALS AND FINISH:
 - CONTACTS: COPPER ALLOY, FINISH: TIN OVER NICKEL UNDERPLATE
 - MUST COMPLY WITH DIRECTIVE 2002/95/EC (ROHS)
 - WIRE TYPES AND SIZES ACCEPTED
 WIRE SIZE: 16AWG SOLID
 18AWG SOLID & STRANDED (CONDUCTOR NO:16)
 20AWG SOLID & STRANDED (CONDUCTOR NO:7)
 MAX INSULATION OD: 2.1mm MAX.
 STRIP LENGTH: 7.0+/-0.3mm
 - PACKAGED IN TAPE AND REEL



WIRE ENTRY



RECOMMENDED PCB LAYOUT



SCALE 10:1

P/N:2834012-3

THIS DRAWING IS A CONTROLLED DOCUMENT.		DWN	24AUG2015		STE TE Connectivity
		CHK	24AUG2015		
		APVD	24AUG2015		
		NAME	XU XIANG		
DIMENSIONS: mm		TOLERANCES UNLESS OTHERWISE SPECIFIED:		PRODUCT SPEC	
		0 PLC ±-		108-137049	
		1 PLC ±0.20		APPLICATION SPEC	
		2 PLC ±0.13		114-137049	
		3 PLC ±-		SIZE	
		4 PLC ±-		CAGE CODE	
		ANGLES ±-		DRAWING NO	
MATERIAL		FINISH		RESTRICTED TO	
△ 1		△ 1		A3	
		CUSTOMER DRAWING		C=2834012	
		SCALE		SHEET	
		7:1		1 OF 1	
				REV A2	