

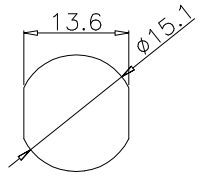
SPECIFICATIONS:

MATERIALS:

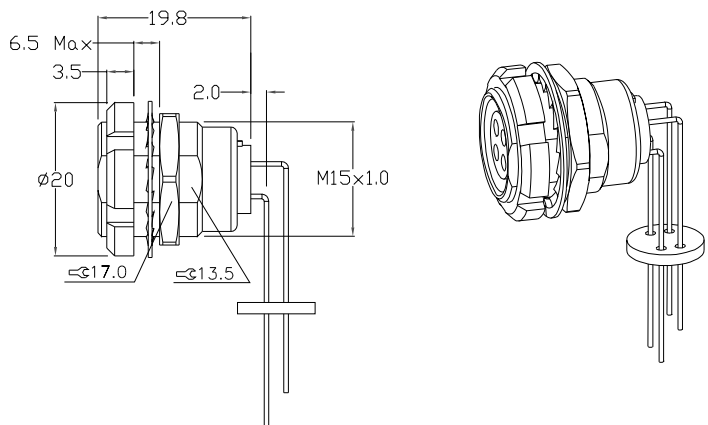
SHELL & NUTS: BRASS, 196u" CHROME PLATED MIN.
 CONTACTS: 7u" GOLD PLATED BRASS OVER 196u" NICKEL MIN.
 INSULATOR: PPS (HIGH TEMPERATURE)

MECHANICAL:

MATING CYCLES: 5000 CYCLES
 OPERATING TEMPERATURE: -40°C TO +200°C
 PROCESS TEMPERATURE: 260°C FOR 5 SECONDS
 SHIELDING: 75dB @ 10MHz // 40dB @ 1GHz
 IP RATING: 50
 MAX TORQUE VALUE: 6.0Nm



RECOMMENDED
 PANEL CUTOUT
 +0.1/-0.0



822BRYY-213R001

SERIES _____
 RIGHT ANGLE _____
 POSITIONS _____
 YY = SEE POSITION CHART
 GENDER _____
 2 = FEMALE
 TYPE _____
 1 = PCB MOUNT (PANEL MOUNT)
 KEY ORIENTATION (SEE KEY ORIENTATION CHART) _____
 3 = 1 KEY // 0°
 A = 2 KEYS // 30°
 CONTACT PLATING _____
 1 = 7u" GOLD PLATED

KEY ORIENTATION CHART	
KEY ORIENTATION	DIAGRAM
3	
A	

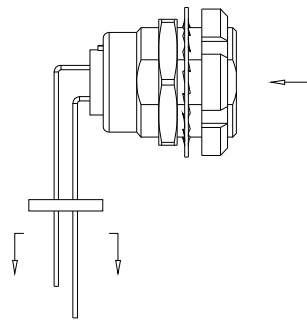
POSITION CHART // ELECTRICAL/WIRE SPECIFICATIONS					
<small>*solder side view of insulator</small>					
POSITIONS	CONTACTS*	CONTACT Ø	MAX CONTACT mΩ	WORKING VOLTAGE	MAX AMPERAGE
02		2.00mm	3.0 mΩ	700 V	12.0 A
03		1.60mm	4.0 mΩ	800 V	12.0 A
04		1.30mm	5.0 mΩ	610 V	12.0 A
06		1.30mm	5.0 mΩ	450 V	12.0 A
08		0.90mm	6.0 mΩ	500 V	6.0 A
10		0.90mm	6.0 mΩ	500 V	6.0 A
12		0.70mm	7.5 mΩ	480 V	6.0 A
14		0.70mm	7.5 mΩ	380 V	6.0 A
16		0.70mm	7.5 mΩ	315 V	6.0 A
19		0.70mm	7.5 mΩ	315 V	5.0 A
26		0.50mm	10.0 mΩ	315 V	2.0 A

RoHS COMPLIANT

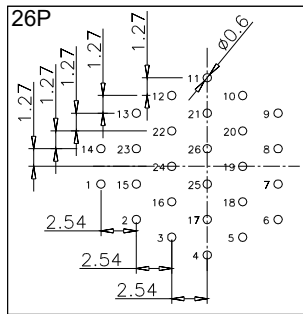
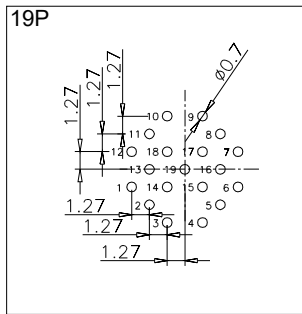
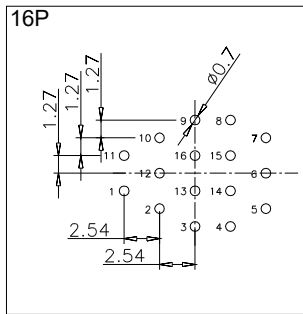
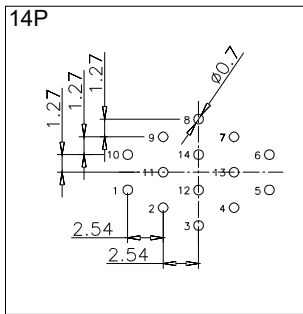
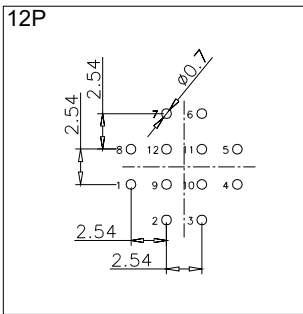
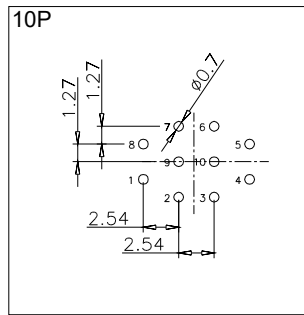
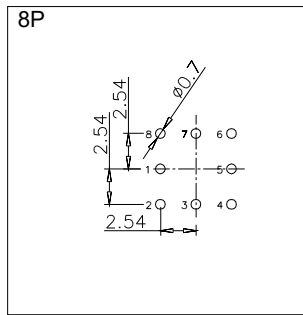
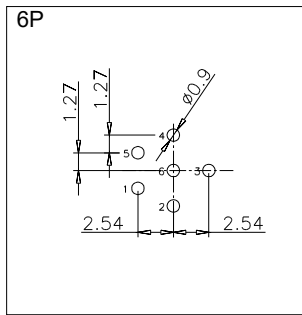
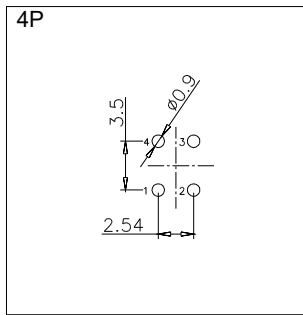
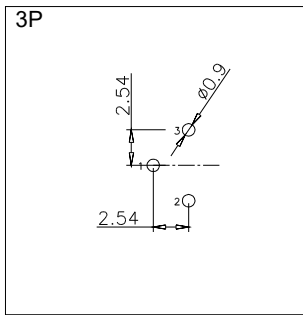
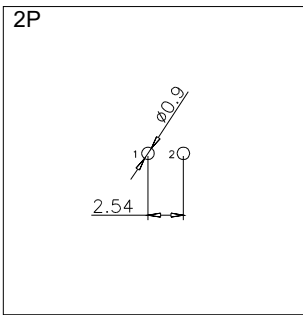
	THESE DRAWINGS AND SPECIFICATIONS ARE THE PROPERTY OF NorComp AND SHALL NOT BE REPRODUCED, COPIED OR USED AS THE BASIS FOR THE MANUFACTURE OR SALE OF APPARATUS WITHOUT WRITTEN PERMISSION.	DRAWN: M. SIGMON
		DATE: 02/15/2016

UNITS = mm DO NOT SCALE FROM DRAWING

	SCALE: NTS	SHEET 1	OF 2	REV 4
	DWG NO. 822BRYY-213R001			



RECOMMENDED
PCB LAYOUTS



RoHS COMPLIANT

UNITS = mm

DO NOT SCALE FROM DRAWING



THESE DRAWINGS AND SPECIFICATIONS ARE THE PROPERTY OF NorComp AND SHALL NOT BE REPRODUCED, COPIED OR USED AS THE BASIS FOR THE MANUFACTURE OR SALE OF APPARATUS WITHOUT WRITTEN PERMISSION.

DRAWN:
M. SIGMON

DATE:
02/15/2016

NorComp

SCALE:
NTS

SHEET OF
2 2

REV
4

DWG NO.

822BRYY-213R001

Mouser Electronics

Authorized Distributor

Click to View Pricing, Inventory, Delivery & Lifecycle Information:

[NorComp:](#)

[822BR10-213R001](#) [822BR12-213R001](#) [822BR16-213R001](#) [822BR08-213R001](#) [822BR03-213R001](#) [822BR14-213R001](#) [822BR04-213R001](#) [822BR02-213R001](#) [822BR06-213R001](#) [822BR26-213R001](#) [822BR19-213R001](#)