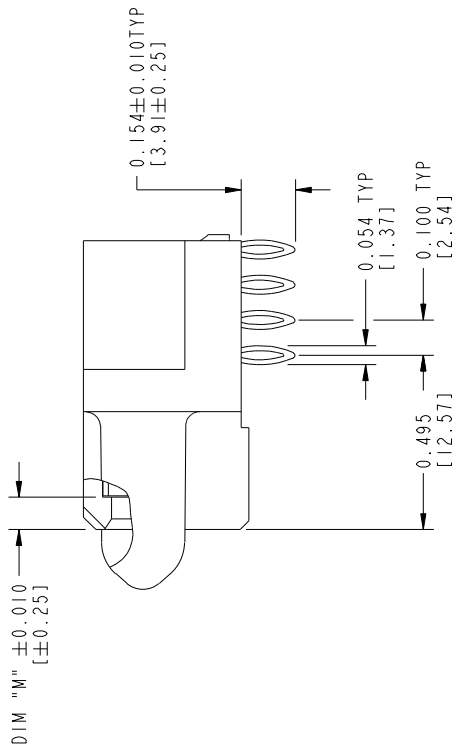
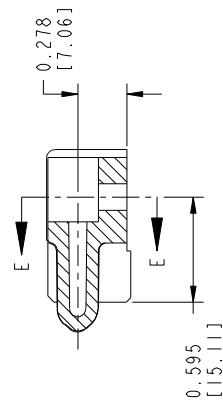


PRODUCT NUMBER
 51866-047 --
 NOTE : 3

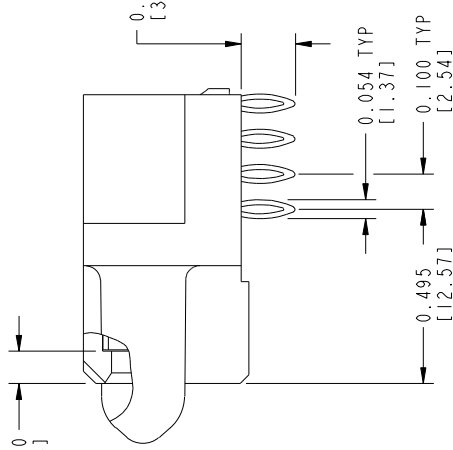
Tous droits strictement réservés. Reproduction ou communication à des tiers interdite
 sous quelque forme que ce soit sans autorisation écrite du propriétaire.
 Property of FCI. All rights reserved. Reproduction or communication to third parties in any
 form without written authority from the proprietor.



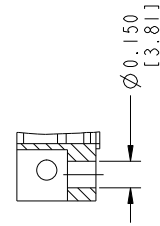
BROKEN-OUT SECTION A-A
 SCALE 2:1



SECTION C-C



BROKEN-OUT SECTION B-B
 SCALE 2:1



PARTIAL SECTION E-E

mat'l code		SEE NOTE 2	tolerances unless otherwise specified		CUSTOMER	FCI
lir	ecm no.	dr	date	linear	projection	www.fciconnect.com
A				.XX±.010 XX±0.3 .XXX±.00570 XXX±0.13	COPY	
				angles 0° ±2°		
		dr		Shower Ma 05/05/10	INCH/MM	
		engr		Shower Ma 05/05/10	Scale	
		chr		PM ZHENG 05/05/10	1:1	
		appd		Joseph Hsia 05/05/10	product family	
sheet index	revision sheet				dwg no	
					A 51866-047	
					size	
					213	
					sheet	
					2 of 4	
					PwrBl code	
					code	
					22526	

Pro/E
 3
 cage code 22526
 4

PRODUCT NUMBER
51866-047 --
NOTE : 3

Tous droits strictement réservés. Reproduction ou communication à des tiers interdite sans quelque forme que ce soit sans autorisation écrite du propriétaire. Propriété de c FCI. Droits de reproduction FCI.

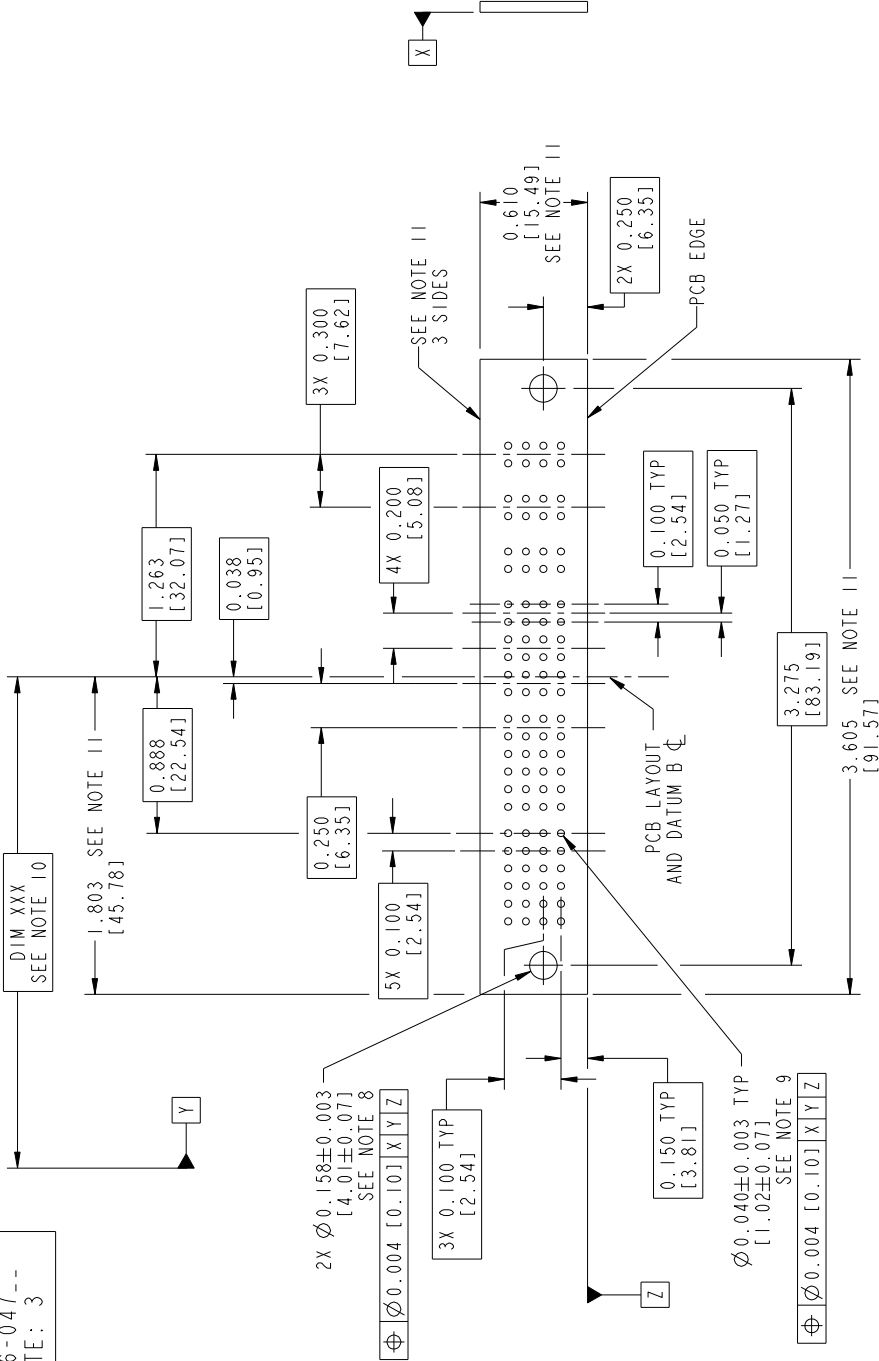


All rights strictly reserved. Reproduction or issue to third parties in any form whatever is not permitted without written authority from the proprietor. Property of FCI. Copyright FCI.

1 | 2

3 |

4



A

B

RECOMMENDED PCB LAYOUT

mat'l code		SEE NOTE 2		tolerances unless otherwise specified		CUSTOMER		FCI	
ltr	ecrn no.	dr	date	linear	angles	projection	copy	title	www.fciconnect.com
A				$\pm .010$	$\pm 0.3^\circ$	1st angle	3ACCP + 6P + 24S R/A PF RECEPTACLE		
		dr	Shower Ma	$\pm .005$	$\pm 0.13^\circ$	INCH/MM		product family	
		enrg	Shower Ma	$\pm .002$	$\pm 0.051^\circ$	1:1		dwg no	
		chtr	PM ZHENG	$0^\circ \pm 2^\circ$		scale		PwrBl code	
		appd	Joseph Hsia					size	
sheet index		revision						A	213
		sheet						3 of 4	
		sheet						3	
		sheet						4	
								cage code	22526

3 |

1 | 2

4

4

3

2

1

PRODUCT NUMBER
 51866-047--
 NOTE: 3

NOTES:

1. DIMENSIONS AND TOLERANCES ARE IN ACCORDANCE WITH ASME Y14.5M, 1994 UNLESS OTHERWISE SPECIFIED.
- CONNECTOR NOTES:
- HOUSING MATERIAL: UL 94 V-0 GLASS FILLED HIGH-TEMP THERMOPLASTIC
 POWER CONTACT MATERIAL: COPPER ALLOY
 SIGNAL PIN MATERIAL: COPPER ALLOY
- SEE ITEM 7 & 8 IN PRINT 10064183 FOR PLATING SPEC OF 51866-047 AND 51866-047LF RESPECTIVELY.
- MANUFACTURER'S NAME, P/N, AND DATE CODE TO APPEAR ON THIS SURFACE. THE P/N CAN BE OMITTED IF THERE IS NOT ENOUGH SPACE ON THIS SURFACE.
- PRODUCT SPECIFICATION GS-12-149.
 APPLICATION SPECIFICATION BUS-20-067.
- PACKAGED IN TRAYS.

PCB NOTES:

1. ALL HOLE DIAMETERS ARE FINISHED HOLE SIZE.
- MOUNTING HOLES, WHERE APPLICABLE, ARE UNPLATED.
- $\varnothing .0453\pm .0010$ [I. 151±0.025] DRILLED HOLES PLATED WITH .0003 [0.008] MIN SnPb OVER .001 [0.03] TO .003 [0.08] Cu PLATING TO ACHIEVE $\varnothing .040\pm .003$ [I. 02±.07] HOLE.
- "DIM XXX" TO BE DETERMINED BY THE CUSTOMER.
- CONNECTOR KEEP-OUT ZONE.
- THE VOID CORING IN BETWEEN POWER MODULES, SIGNAL MODULES AND END MODULES ARE OPTIONAL AND THE SHAPE MAY BE DIFFERENT FOR OPTIMIZING THE MOLDING PROCESS. THE VOID CORING WILL NOT EFFECT TO PRODUCT FUNCTION.

Tous droits strictement réservés. Reproduction ou communication à des tiers interdite sans que l'on ait obtenu l'autorisation écrite du propriétaire.
 Property of FCI. All rights reserved. Reproduction or issue to third parties without written authority from the proprietor.



mat'l code		SEE NOTE 2	tolerances unless otherwise specified	CUSTOMER		FCI	www.fciconnect.com
lir	ecn no.	dr	date	linear	projection	title	
A				$.XX\pm .005/0.XX\pm 0.13$	COPY	3ACP + 6P + 24S	
				$.XXX\pm .002/0.XXX\pm 0.051$	INCH/MM	R/A PF RECEPTACLE	
				$0\pm 2^\circ$	scale	product family	PwrBl code
				dr Shower Mo 05/05/10	1:1	dwg no	213
				engr Shower Mo 05/05/10		size	A
				chr PM ZHENG 05/05/10		sheet	4
				appd Joseph Hsia 05/05/10		of	4
sheet index	revision	sheet				cage code	
						22526	

4

3

2

1

Pro/E

4