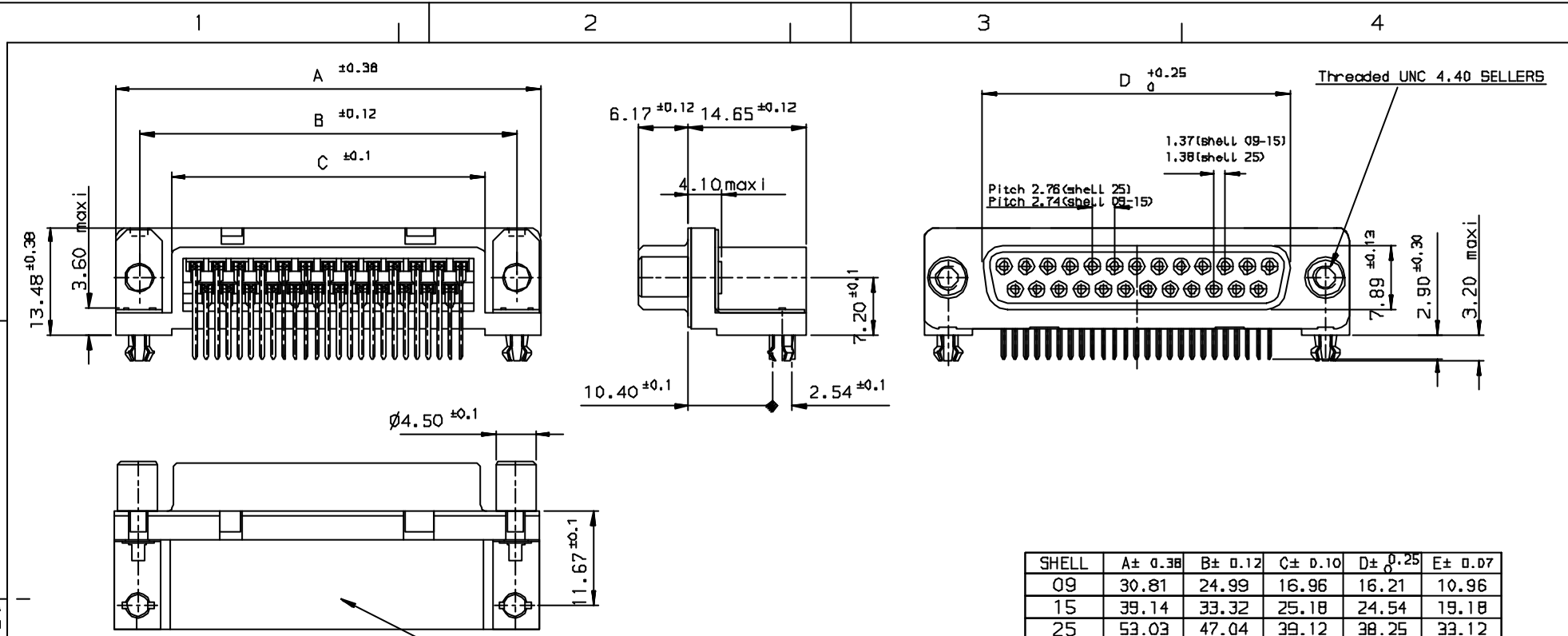


Tous droits strictement réservés. Reproduction ou communication à des tiers interdites sans autorisation écrite de la Direction des ventes. Propriété de FCI. Droits de reproduction FCI.

FCI

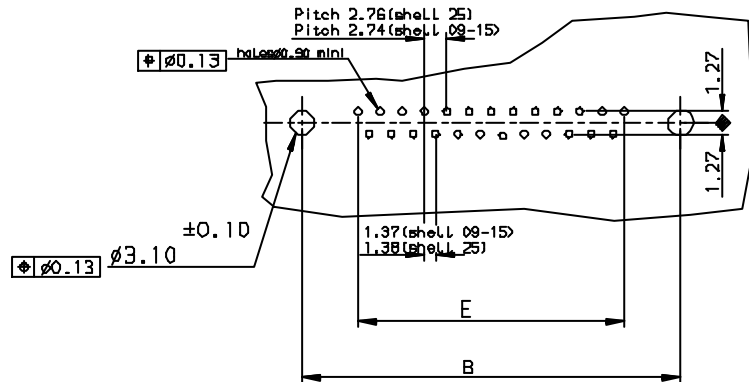
All rights strictly reserved. Reproduction or issues in third parties in any form without the written authorization from the proprietor. Property of FCI. Copyright FCI.



SHELL	A± 0.38	B± 0.12	C± 0.10	D± 0.25	E± 0.07
09	30.81	24.99	16.96	16.21	10.96
15	39.14	33.32	25.18	24.54	19.18
25	53.03	47.04	39.12	38.25	33.12

GENERAL CHARACTERISTICS - SEE DRAWING C01-8646-0000

PC card drilling dimensions (after plating)
(thickness 1.60±0.20mm)



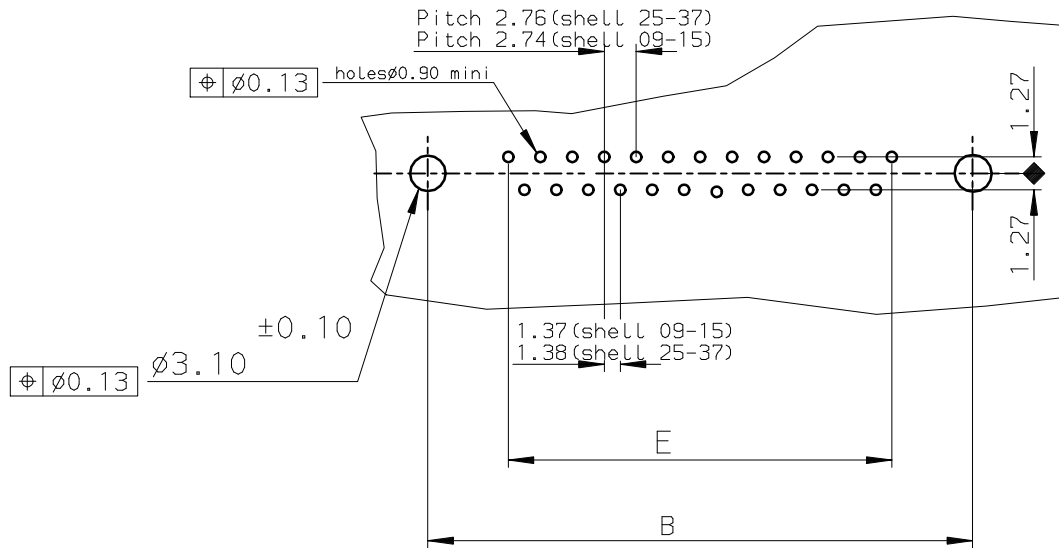
Core range		
SHELL	PART NUMBER	DESIGNATIONS
09	D09S13A4GV00**	RECEPTACLE 9 CTS RIGHT ANGLED-SOLDER TO BOARD-PCB HARPOON-SCREWLOCK UNC 4.40-ELEC.CONTIN.-PERFORM. LEVEL PL3
15	D15S13A4GV00**	RECEPTACLE 15 CTS RIGHT ANGLED-SOLDER TO BOARD-PCB HARPOON-SCREWLOCK UNC 4.40-ELEC.CONTIN.-PERFORM. LEVEL PL3
25	D25S13A4GV00**	RECEPTACLE 25 CTS RIGHT ANGLED-SOLDER TO BOARD-PCB HARPOON-SCREWLOCK UNC 4.40-ELEC.CONTIN.-PERFORM. LEVEL PL3

LF FOR LEAD FREE

Dr JOHN SLEEBA		1/8/94	Product Family	✓	Tolerance LINEAR ±0.1 ANGULAR ±1°	Projection MM	Size A3	Scale
Eng GEORGE VJ		1/8/94	Spec ref					
Chr GEORGE VJ		27/7/05	Material					
Appr K Somasundaram		27/7/05						
FCI		Title RECEPTACLE DELTA D WITH SCREWLOCK, HARPOON, METAL PLATE.		Dwg no C01-8646-0291		Rev. 9		
Catalog no		DELTA-D		CUSTOMER COPY		Sheet 1 of		

g	DATE	REVISION DESCRIPTION
g	27/7/05	LEAD FREE DETAILS ADDED

PC card drilling dimensions(after plating)
(thickness 1.60±0.20mm)



SHELL	A± 0.38	B± 0.38
09	30.81	24.9
15	39.14	33.3
25	53.03	47.0
37	69.32	63.5

GENERAL CHARACTERISTICS : SEE DRAWING

ltr	Ecn no	Dr	date
e	105-0124	JS	27\7\05

Dr	JOHN SLEEBA	1\8\94	Prod
Eng	GEORGE VJ	1\8\94	Spec
Chr	GEORGE VJ	27\7\05	Mat
Appr	K Somasundaram	27\7\05	



Title
RECEPTACLE DELTA
SCREWLOCK, HARPOON

Catalog no

e	27\7\05	LEAD FREE DETAILS ADDED
INDEX	DATE	REVISION DESCRIPTION

1

2

3