

T1519162000-000 ✓ ACTIVE

HDC | HDC IP65

TE Internal #: T1519162000-000

TE Internal Description: H16A-ADS

[View on TE.com >](#)



[Connectors](#) > [Rectangular Connectors](#) > [Rectangular Connector Accessories](#) > [Hoods](#)



Accessory Type: **Housing**

Entry Style: **Bottom**

Locking Device Type: **Locking**

Sealable: **Yes**

Circuit Application: **Power & Signal**

Features

Product Type Features

Product Size	5
Product Type	Housing
Accessory Type	Housing
Sealable	Yes

Body Features

Material	Die Cast Aluminum
Entry Style	Bottom

Mechanical Attachment

Locking Device Location	Housing
Locking Device Type	Locking

Usage Conditions

Corrosion Protected	Yes
---------------------	-----

Operation/Application

Circuit Application	Power & Signal
---------------------	----------------

Packaging Features

Packaging Method	Box
------------------	-----

Product Compliance

[For compliance documentation, visit the product page on TE.com>](#)

EU RoHS Directive 2011/65/EU	Compliant
EU ELV Directive 2000/53/EC	Compliant
China RoHS 2 Directive MIIT Order No 32, 2016	No Restricted Materials Above Threshold
EU REACH Regulation (EC) No. 1907/2006	Current ECHA Candidate List: JUL 2019 (201) Candidate List Declared Against: JAN 2019 (197) Does not contain REACH SVHC
EU REACH Regulation (EC) No. 1907/2006	Current ECHA Candidate List: JUL 2019 (201) Candidate List Declared Against: JAN 2019 (197)
Halogen Content	Not Yet Reviewed for halogen content
Solder Process Capability	Not reviewed for solder process capability

Product Compliance Disclaimer

This information is provided based on reasonable inquiry of our suppliers and represents our current actual knowledge based on the information they provided. This information is subject to change. The part numbers that TE has identified as EU RoHS compliant have a maximum concentration of 0.1% by weight in homogenous materials for lead, hexavalent chromium, mercury, PBB, PBDE, DBP, BBP, DEHP, DIBP, and 0.01% for cadmium, or qualify for an exemption to these limits as defined in the Annexes of Directive 2011/65/EU (RoHS2). Finished electrical and electronic equipment products will be CE marked as required by Directive 2011/65/EU. Components may not be CE marked. Additionally, the part numbers that TE has identified as EU ELV compliant have a maximum concentration of 0.1% by weight in homogenous materials for lead, hexavalent chromium, and mercury, and 0.01% for cadmium, or qualify for an exemption to these limits as defined in the Annexes of Directive 2000/53/EC (ELV). Regarding the REACH Regulations, TE's information on SVHC in articles for this part number is still based on the European Chemical Agency (ECHA) 'Guidance on requirements for substances in articles' (Version: 2, April 2011), applying the 0.1% weight on weight concentration threshold at the finished product level. TE is aware of the European Court of Justice ruling of September 10th, 2015 also known as O5A (Once An Article Always An Article) stating that, in case of 'complex object', the threshold for a SVHC must be applied to both the product as a whole and simultaneously to each of the articles forming part of its composition. TE has evaluated this ruling based on the new ECHA "Guidance on requirements for substances in articles" (June 2017, version 4.0) and will be updating its statements accordingly.

Compatible Parts



Also in the Series | **HDC IP65**



Rectangular Connector Hoods(1219)

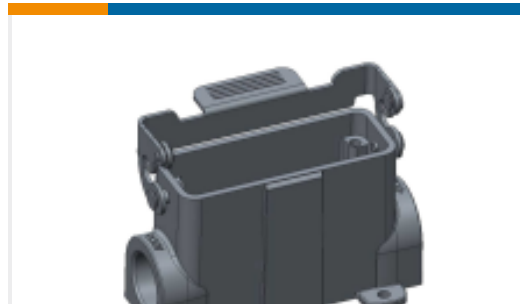


Rectangular Connector Housings(3)

Customers Also Bought



TE Model / Part #CN1020-000
D-436-36-COLD



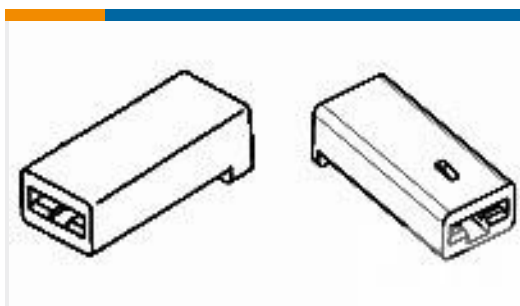
TE Model / Part #T1619161120-000
H16A-SGRS-M20



TE Model / Part #T1629161220-000
H16A-SDRMS-2M20



TE Model / Part #T1629163125-000
H16A-SDRS-M25



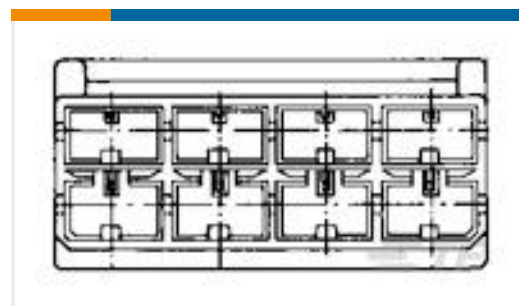
TE Model / Part #521290-1
FF 250 REC HSG 1P
NYLON NAT



TE Model / Part #F41454-000
DWP-125-1/2-KIT3-REFILL



TE Model / Part #E87367-000
DWP-125-3/16-KIT3-REFILL



TE Model / Part #926646-8
PL 250 8P HOUSING PA6.6
ZYTEL 101 WHITE



TE Model / Part #C67617-000
DWP-125-3/4-KIT3-REFILL

Documents

Product Drawings

[H16A-ADS](#)

English

CAD Files

[3D PDF](#)

3D

[Customer View Model](#)

[ENG_CVM_CVM_T1519162000-000_A.2d_dxf.zip](#)



English

Customer View Model

[ENG_CVM_CVM_T1519162000-000_A.3d_igs.zip](#)

English

Customer View Model

[ENG_CVM_CVM_T1519162000-000_A.3d_stp.zip](#)

English

Datasheets & Catalog Pages

[HEAVY DUTY CONNECTORS](#)

English

[Heavy Duty Connectors](#)

English

[HDC Flyers July 2015 \(Chinese\)](#)

[HDC Connectors - July 2015 \(English\)](#)

English

Product Specifications

[Application Specification](#)

English

[Application Specification](#)

Product Environmental Compliance

[TE Material Declaration](#)

English