

Preparation of compressed air → Maintenance units and components

**3/2-shut-off valve, mechanically operated, Series AS3-BAV**

► G 3/8 - G 1/2 ► ATEX certified



00127429

ATEX  
Version

Actuating control  
Sealing principle  
Working pressure min./max.  
Ambient temperature min./max.  
Medium temperature min./max.  
Medium

Materials:  
Housing  
Seals  
Actuating control  
Front cover  
Threaded bushing  
Locking base

II 2G2D T4 X  
Ball valve, Can be assembled into blocks with padlock lockable  
rotary switch  
metal/metal sealing  
0 bar / 16 bar  
-10°C / +50°C  
-10°C / +50°C  
Compressed air

Polyamide  
Polytetrafluorethylene  
Polyoxymethylene  
Acrylonitrile butadiene styrene  
Die cast zinc  
Die cast zinc

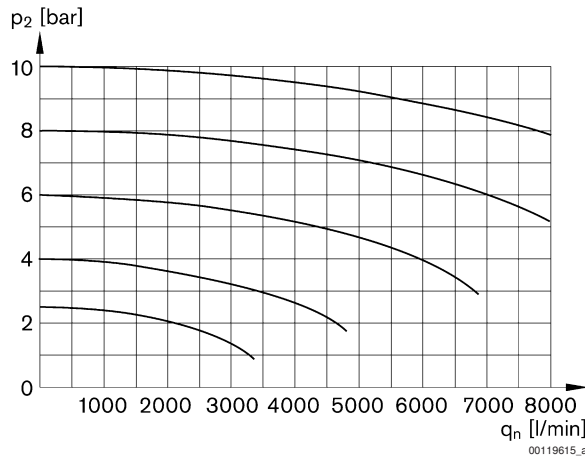
**Technical Remarks**

- The pressure dew point must be at least 15 °C under ambient and medium temperature and may not exceed 3 °C.

	Port	Exhaust	Qn		Weight [kg]	Part No.
			1►2	2►3		
			[l/min]			
	G 3/8	G 1/2	4500	3200	0.446	R412007260
	G 1/2					R412007261

Nominal flow Qn at 6.3 bar and Δp = 1 bar.

**Flow rate characteristic**

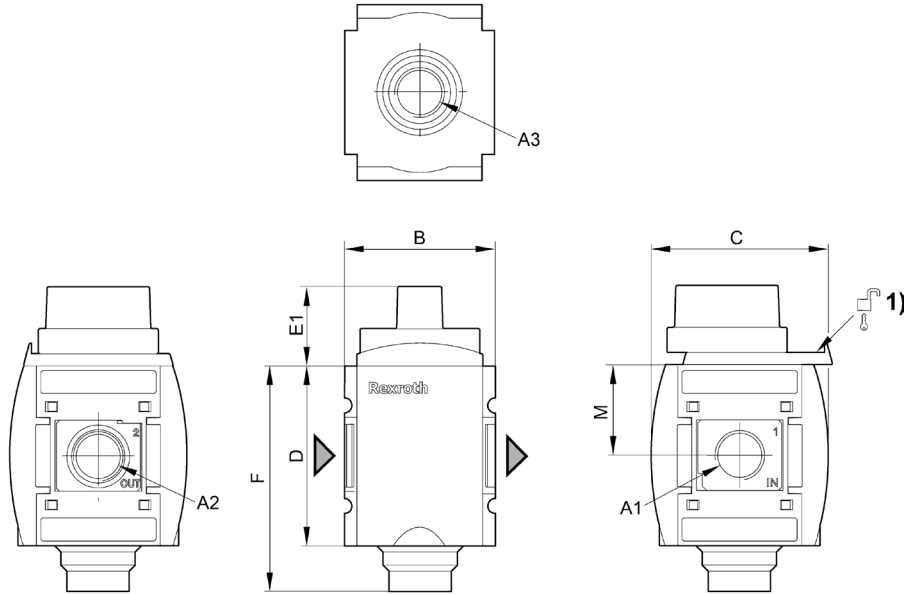


p2 = secondary pressure  
qn = nominal flow

## Preparation of compressed air → Maintenance units and components

**3/2-shut-off valve, mechanically operated, Series AS3-BAV**

▶ G 3/8 - G 1/2 ▶ ATEX certified

**Dimensions**

00127650

A3 = ventilation port

A1 = input

A2 = output

1) Mounting option for padlocks; max. shackle  $\varnothing$  8

A1	A2	A3	B	C	D	E1	F	M					
G 3/8	G 3/8	G 1/2	63	74	80	28	99	42.5					
G 1/2	G 1/2	G 1/2	63	74	80	28	99	42.5					