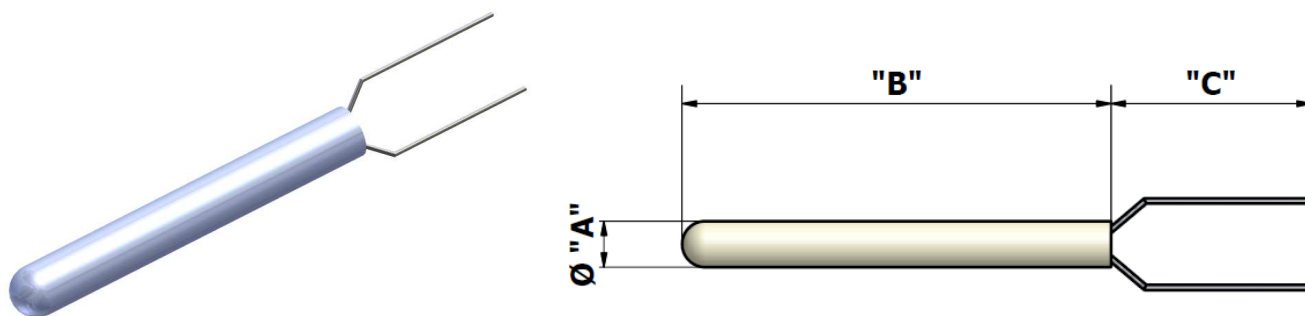


Data sheet

SENSING ELEMENT



GLASS PT100Ω THERMIC ELEMENT

RANGE :

- 200°C / +450°C

USE :

- Corrosives environment and laboratories

KEY POINT :

- Primary sensitive element, very good performance against vibrations

SPECIFICATIONS :

- Glass PT100Ω thermic element – A Class
- Wound resistor wire freely inserted into a cylindrical ceramic support
- Wires in palladium coated platinum

DIMENSIONS:

- Probe length "B" = 10mm ±1
- Diameter probe "A" = 3mm ±0.05
- Legs length "C" = 10mm
- Legs diameter = 0.24

METROLOGICAL DATA :

- As per IEC 751
- Standard tolerance PT100 A class : ±0.15 + 0.002.[t°C]
- Timing =
Water (v=1m/s): T0.5=0.6s
Air (v=1m/s): T0.5=11s

Other dimensions:

Precision	CLA	CLB
Dimensions "A" & "B"		
2x15mm	370-6622	-
3x10mm	370-6638	-
5x150mm	-	370-6644