

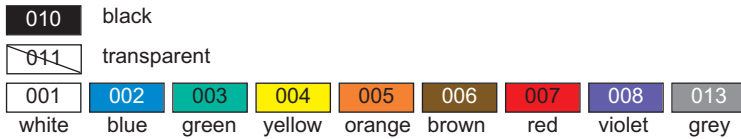


**PLIO-PVC**

**Material:** PVC  
**Operating temperatures:** -25 to +75°C  
**Hardness Shore A:** 70 +/- 5  
**Ultimate elongation:** 350%  
**Dielectric strength:** >20 kV/mm  
**Flame resistance:** HB UL94



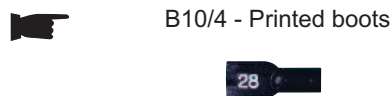
Standard colours:



Example for order:

code group	detail article	code colours
010	50xxx	xxx

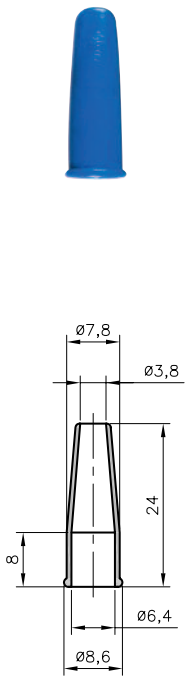
type	black	article number	colours	for clips	cable Ø mm	length of the boot mm	
	010	transparent 011					
<b>for female push-on-terminals (right)</b>							
B-3 PVC	0105 0007 010	0105 0007 011	0105 0007 ***	2,8	2,8	5,5	500
B-4 PVC	0105 0022 010	0105 0022 011	0105 0022 ***	4,8	3,2	7	500
B-5 PVC	0105 0003 010	0105 0003 011	0105 0003 ***	5 AMP	4,5	8	500
B-6 PVC	0105 0001 010	0105 0001 011	0105 0001 ***	6,3	3,6	8	500
BL-6 PVC	0105 0010 010	0105 0010 011	-	6,3	3,2	11	500
BK-6 PVC	0105 0011 010	0105 0011 011	-	6,3	3,2	6	500
B-PVC	0105 0004 010	0105 0004 011	0105 0004 ***	6,3	4	8	500
BM-6 PVC	0105 0012 010	0105 0012 011	-	6,3	5	11	500
BN-6 PVC	0105 0014 010	0105 0014 011	-	6,3	5	9	500
<b>for male push-on-terminals (right)</b>							
BW-6 PVC	0105 0002 010	0105 0002 011	0105 0002 ***	6,3	3,6	5,5	500
BF-6 PVC	0105 0023 010	0105 0023 011	0105 0023 ***	6,3	3,6	11	500
<b>for female flag push-on-terminals</b>							
BE-6 PVC	0105 0005 010	0105 0005 011	0105 0005 ***	6,3	3,6	13,7	500



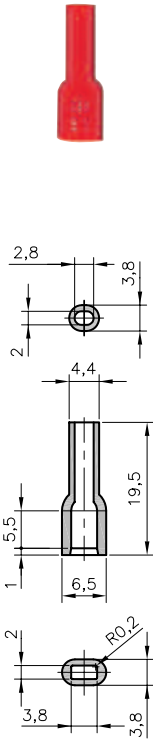
B10/4 - Printed boots

D6/3-02 - Clips

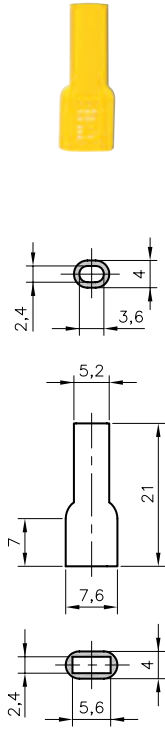




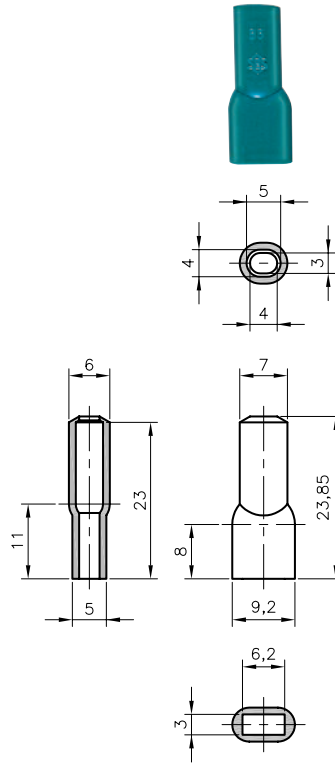
**B**  
0105 0004 xxx



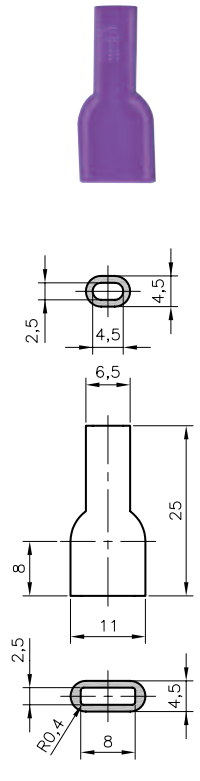
**B-3**  
0105 0007 xxx



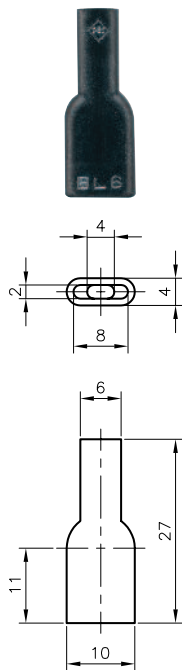
**B-4**  
0105 0022 xxx



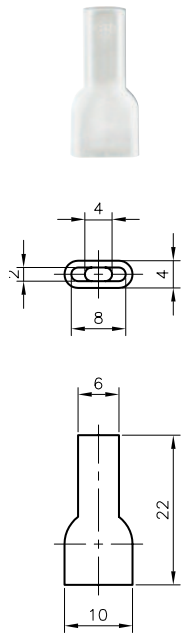
**B-5**  
0105 0003 xxx



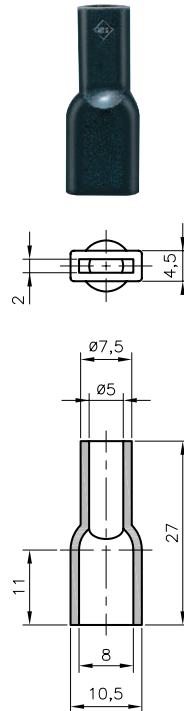
**B-6**  
0105 0001 xxx



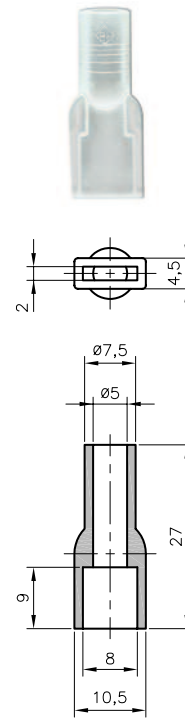
**BL-6**  
0105 0010 xxx



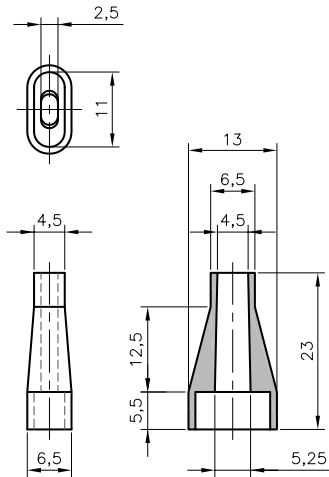
**BK-6**  
0105 0011 xxx



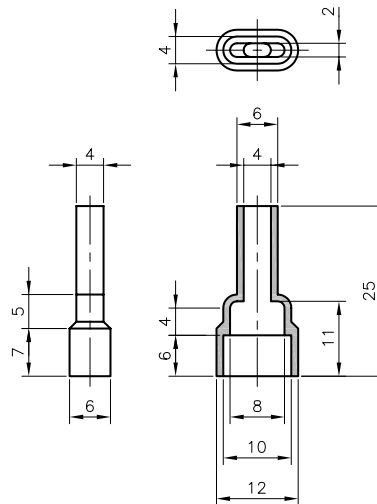
**BM-6**  
0105 0012 xxx



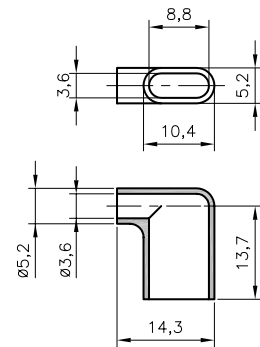
**BN-6**  
0105 0014 xxx



**BW-6**  
0105 0002 xxx



**BF-6**  
0105 0023 xxx



**BE-6**  
0105 0005 xxx



**PLIO**

Materials:	PE	PA 6	PA 6.6	PP
Colours:	natural	natural	natural	natural or black
Operating temperatures:	-50 to +55°C	-20 to +70°C	-40 to +110°C	-20 à +65°C
Ultimate elongation:	500%	>50%	300%	>150%
Dielectric strength:	-	60 kV/mm	26 kV/mm	50kV/mm
Flame resistance:	-	V2 UL94	V2 UL94	-



type	artide number	artide number		for clips mm	cable Ø mm	length of the boot mm	 pcs
	black 010	natural 018					

**Terminale boots for straight female clips**

	PP	PE	PA6	PA6.6	PP				
BP-3	-	0105 0020 018	0105 0021 018	-	-	2,8	2,5	7,5	500
BP-6	-	0105 0008 018	0105 0009 018	-	-	6,3	-	9,5	500

**Removable caps for female clips flags - assembly after crimping**

	PP	PE	PA6	PA6.6	PP				
BXC-4	-	-	-	0105 0031 018	-	4,8	3,2	6,1	500
BX-6	0105 0018 010	0105 0017 018	-	0105 0016 018	-	6,3	3,2	11	500
BXC-6	0105 0026 010	0105 0024 018	-	0105 0025 018	0105 0026 018	6,3	3,2	8,5	500



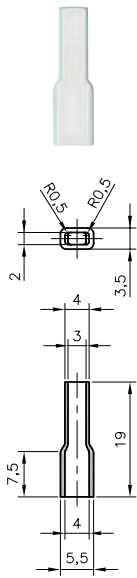
B10/4 - Printed boots

231

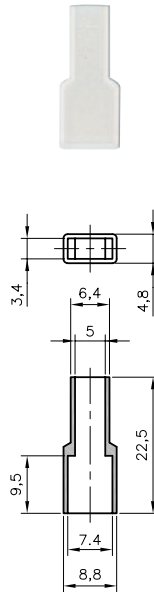
D6/3-02 - Clips



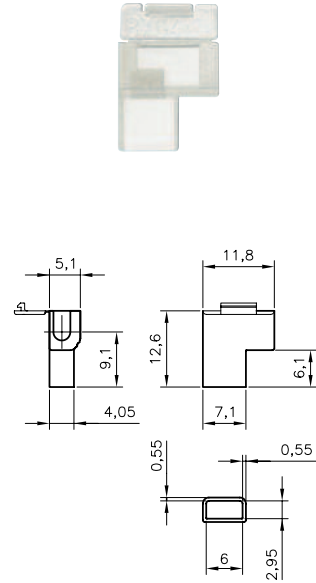
**PLIO® standard terminal boots**  
for special use



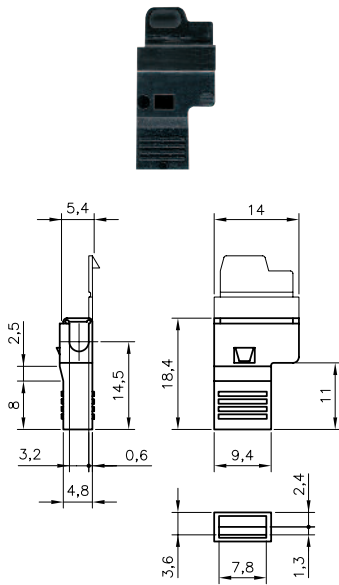
**BP-3**  
0105 0020 018  
0105 0021 018



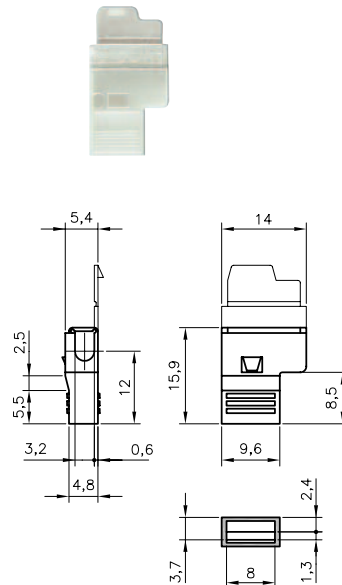
**BP-6**  
0105 0008 018  
0105 0009 018



**BXC-4**  
0105 0031 018



**BX-6**  
0105 0016 018  
0105 0017 018  
0105 0018 010



**BXC-6**  
0105 0024 018  
0105 0025 018  
0105 0026 xxx