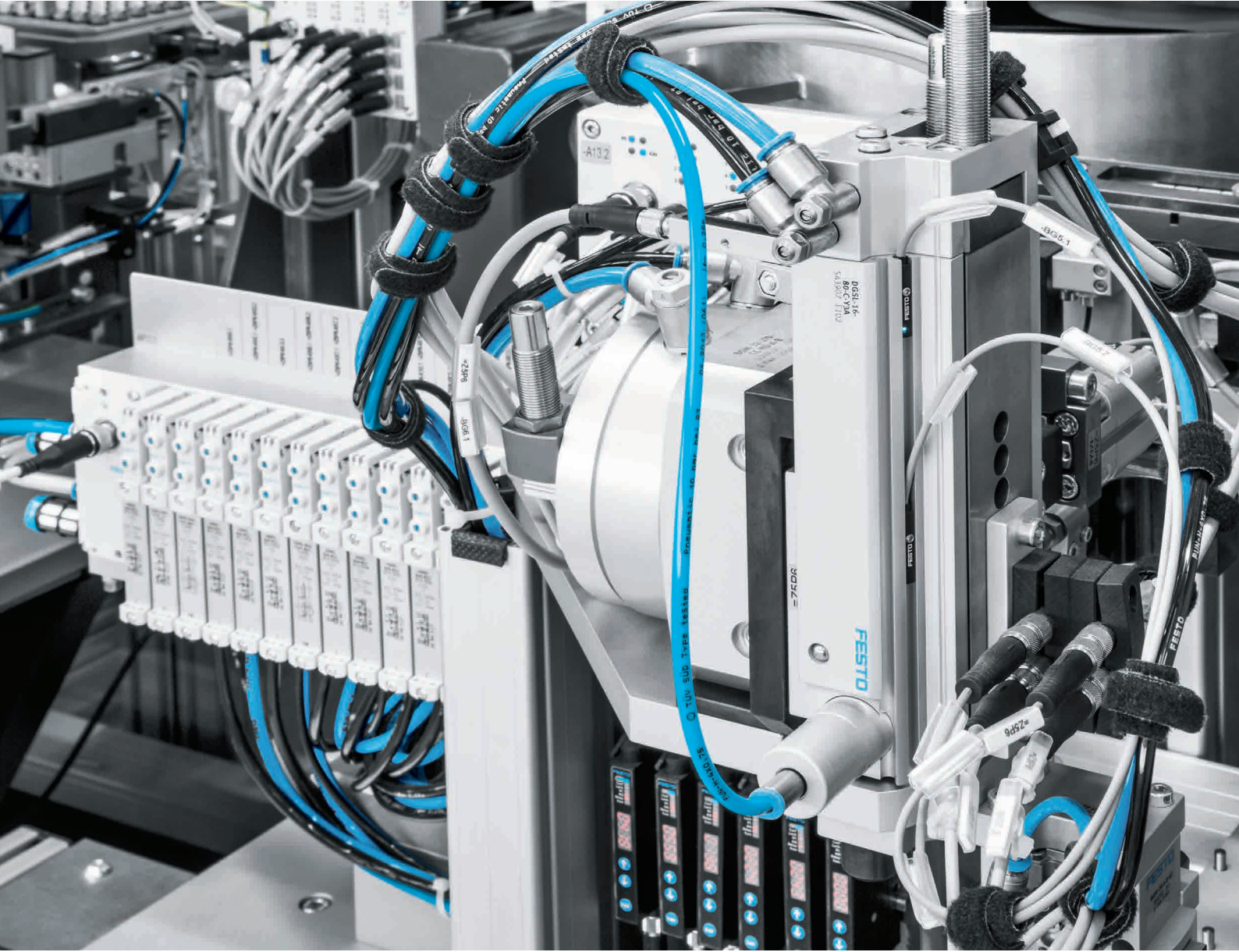
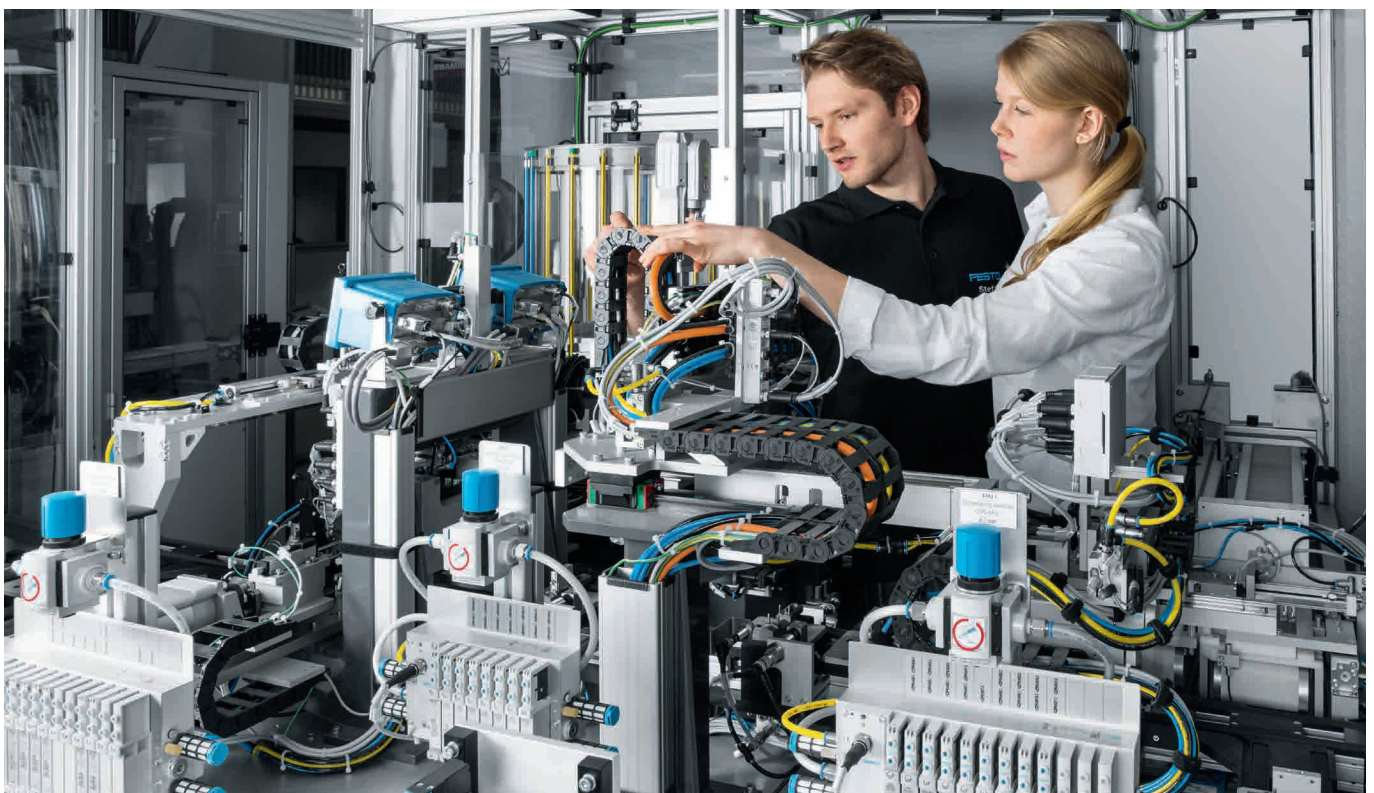


Sensors



You require easy running processes.
You want first-class sensor systems.
We have the right vision for achieving maximum productivity.

→ WE ARE THE ENGINEERS
OF PRODUCTIVITY.



Page 4

Page 6

Page 8

Page 10

Proximity sensors

Position
transmitters

Pressure and
vacuum sensors

Flow sensors

Festo sensors – for successful automation from a single source

In focus: Festo sensors

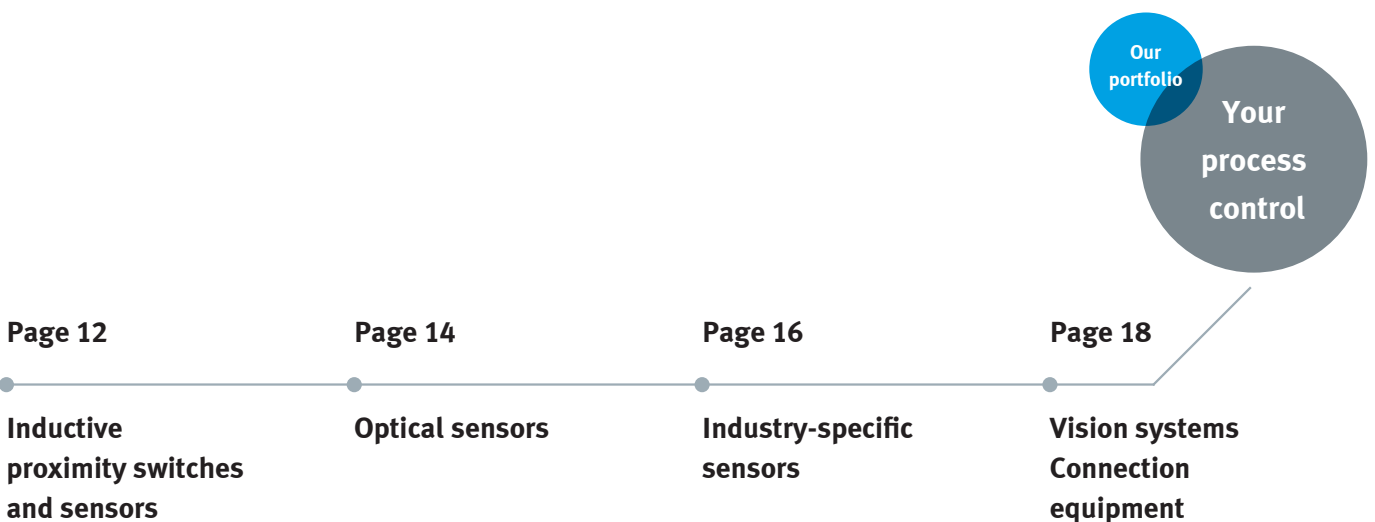
Increased cycle times, better process control, shorter downtimes: these days system and machine management that ensures the optimal use of resources is a critical factor in the economic success of a company. Sensor technology, too, is an indispensable part of this success in the world of automation.

High quality for smooth processes

Optimum performance and maximum reliability: our comprehensive portfolio of sensors combines these important core qualities and ensures smooth and efficient production sequences.

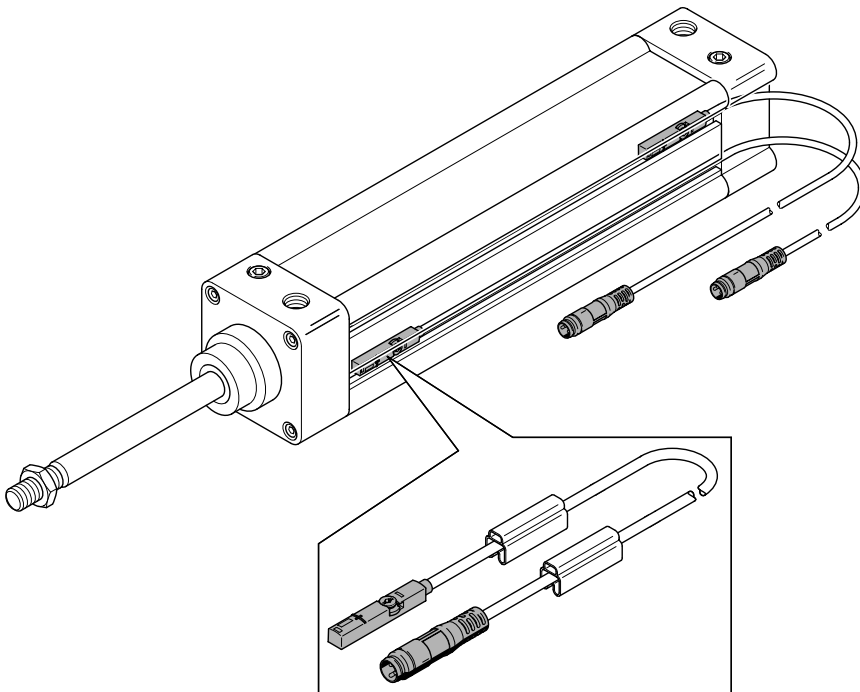
The full range

From the position sensor SDAT to pressure sensing with the pressure sensor SPAW and flow sensing with the flow sensor SFAM, our product portfolio covers the full range of classic sensor tasks for pneumatics. In addition, Festo offers sensors such as the sensor SOPA that have been developed for precise and reliable contact sensing and special tasks.



Proximity sensors

Proximity sensors for pneumatic drives form the starting point for the sensor range from Festo – with good cause. These optimally coordinated sensors have formed a stable and successful platform for new variants and completely new functionalities.



Proximity sensors for all requirements

Proximity sensors from Festo come in a huge range of variants and are ready for practically everything, regardless of what the environment or task demands. Our range even includes suitable mounting accessories.

Here are some examples:

- ATEX
- 230 V
- Safety
- Welding areas
- Cooling lubricants
- Acids and alkali
- Max. temperature 120 °C
- Min. temperature –40 °C
- Potential-free contacts
- Short design for grippers
- Direct plug connection on switch housing
- Food industry

Have you not found what you were looking for? Just ask us!



Suitable for all cylinders with T slot: proximity switch SMT-/SME-8M

One size fits all: a consistent technical and mechanical match for all Festo drive units. High

performance: secure fitting in the slot. Neither vibration, shock nor tensile forces on the cable will loosen the sensor or lead to switching errors.

- Non-contacting or contacting sensing
- Operating voltage up to 30 V AC/DC
- Electrical connection: M8, M12, open end



Proximity sensor SMT-/SME-10M

Reliable sensing solution for drive technology with C-slot.

- Switching outputs PNP, NPN, contacting
- Switching element function: N/O contact

- Electrical connection: M8, M12, open end
- Operating voltage up to 30 V AC/DC



Simple and safe monitoring of semi-rotary drives: position sensor SRBS-Q1/Q12

Created for the semi-rotary drives DRVS and DSM, the SRBS is simply screwed onto the drives as a closed, encapsulated unit in Clean Design, and the switching

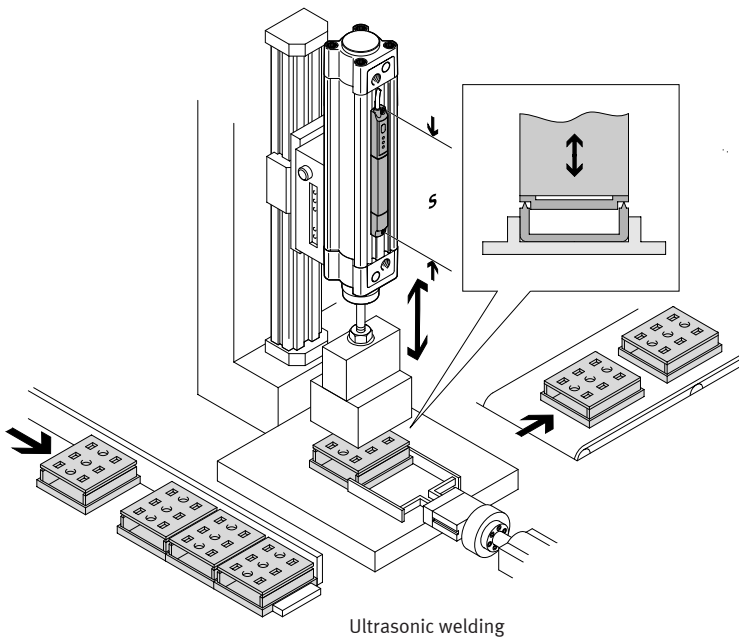
points are easily taught in at the press of a button. And you're ready to go!

- For DRVS 6 ... 40 and DSM 6, 8, 10
- PNP, NPN and NO, NC switching outputs, freely programmable

- Operating voltage: 24 V DC
- Electrical connection M8, 4-pin, rotatable thread
- Sensing range 0 ... 270°

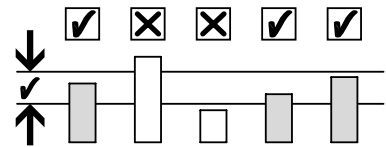
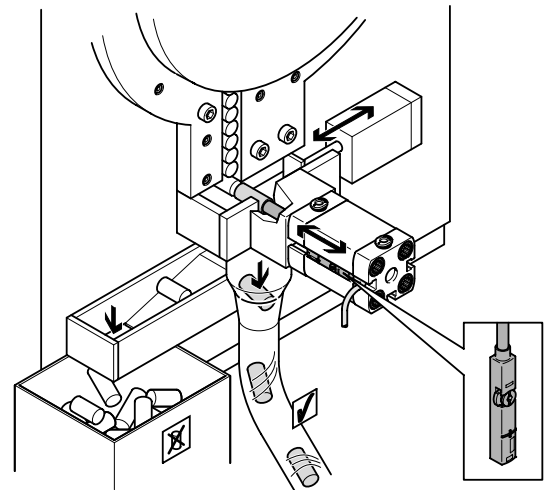
Position transmitters

Position transmitters provide an analogue, displacement-proportional output signal in the sensing range. The contactless measuring principle ensures wear-resistant sensing, which is a particular advantage in harsh environments.



As a consistent further development of the binary proximity sensor, position sensors enable a multitude of new application areas when combined with pneumatic cylinders:

- Quality inspection
- Ultrasonic welding
- Process control during sheet manufacture or during wear monitoring
- Object sensing during pressing or clamping
- Object sensing when recording positions, when changing products or when quality-sorting parts



Quality inspection



Position transmitter SDAT-MHS

The universal transmitter solution. With three options for signal evaluation: classic analogue, programmable switching output or programmable IO-Link output.

Programming options: proximity switch, window comparator, hysteresis comparator. The sensing ranges of the transmitter are perfectly tailored to the standard strokes of Festo cylinders.

- Sensing range: 50, 80, 100, 125, 150 mm
- Analogue output 0 ... 20 mA
- Programmable IO-Link/ switching output
- Reproducibility: < 0.1 mm



Position transmitter SMAT-8M

As a position transmitter that is the size of a proximity sensor, it is designed for all applications where space is restricted. Its compact design opens up new

areas of application, particularly for compact cylinders and grippers. The piston position is indicated by an analogue voltage signal.

- Sensing range: up to 40 mm
- Analogue output 0 ... 10 V
- Reproducibility: < 0.1 mm, on grippers ±0.025 mm



Position transmitter SMAT-8E

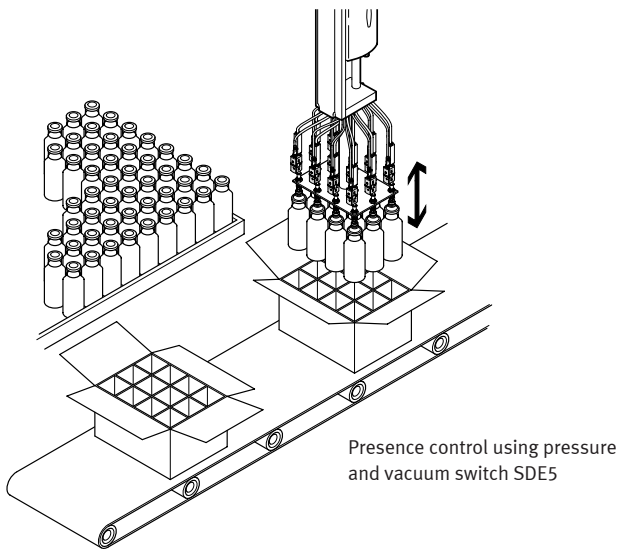
The classic standard solution with analogue current and voltage output in one device. The SMAT-8E reliably detects the position of the cylinder

piston; so that its position is always known. The very simple and quick installation and the broad range of applications make it universally applicable.

- Sensing range: 50 mm
- Analogue output 0 ... 10 V, 0 ... 20 mA
- Reproducibility: < 0.064 mm

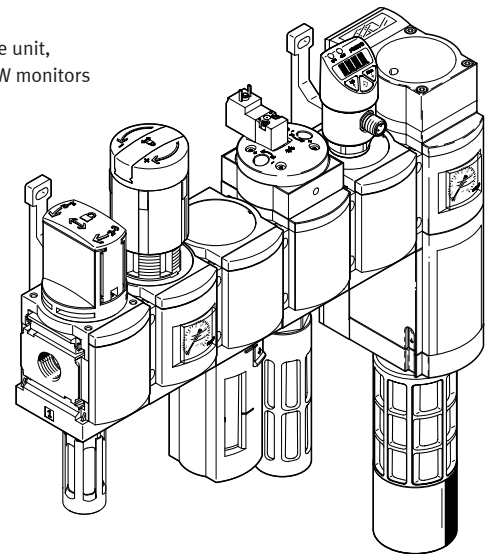
Pressure and vacuum sensors

Pressure and vacuum sensors expand the application range of systems, provide greater process reliability and offer the option of remote maintenance and monitoring. They are also easy and quick to use thanks to the standardised control and display concept shared by all Festo pressure sensors.



Presence control using pressure and vacuum switch SDES

Integrated in a service unit, pressure sensor SPAW monitors the pressure range



All fluid: pressure sensor SPTW

The SPTW is a universal pressure sensor that is extremely versatile. For air, other gases and fluids.

- Large pressure measuring range between $-1 \dots +1$ bar
- 9 pressure ranges from $-1 \dots +1$ bar to $0 \dots +100$ bar
- 4 ... 20 mA or 0 ... 10 V analogue output

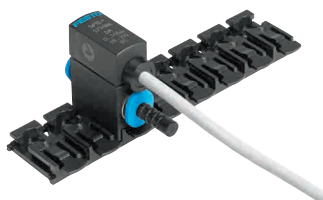


Reliably monitors the pressure of liquids and gases: pressure sensor SPAW

For hydraulics and pneumatics: the compact SPAW measures in 9 measuring ranges from $-1 \dots 1$ and $0 \dots 100$ bar. Suitable for all

media such as water, cooling agents or gases which do not corrode the stainless steel housing and the measuring element (316L or 13-8PH).

- Four-digit display for quick, intuitive configuration of the outputs
- Ideal reading/operation at all times: housing rotates 320° , display at 45° angle
- Switching outputs 2xPNP, 2xNPN, 0 ... 10 V, 4 ... 20 mA



Small and simple, but flexible too: pressure transmitter SPTE

Versatile mounting options and stripped down to the basics for pressure or vacuum monitoring on valves and cylinders.

The compact size and minimal weight are ideal, especially for tight installation spaces with high component density.

- Flexible: 3 attachment concepts for fast, low-cost mounting
- Simple: click-mounting and dismounting without tools
- Compact: 8-bracket wall mount for manifold assembly



Extremely small, extremely light, extremely convenient: pressure transmitter SPAE

Monitors the pressure level of filtered compressed air from -1 ... 0 and 0 ... 10 bar. Ideal for vacuum monitoring during pick and place or for pressure monitoring

in pneumatic applications. Flexible and simple mounting with flange, with push-in sleeve or as an inline solution, as well as with tried-and-tested adapters and wall brackets.

- Grid dimension 10 mm – the world's smallest pressure sensor with display
- Very light – ideal for high dynamic response
- Easy to read, convenient and intuitive to operate



Price-optimised, modular system: pressure and vacuum switch SDE5

Pressure and vacuum switch SDE5 is the cost-effective alternative for simple, quick pressure control. It is as effective for sensing compressed

air as it is for regulator, vacuum and object detection via back pressure.

- Selectable output functions
- Minimal assembly times thanks to QS connections and M8 connectors

- Quick switching-point adjustment at the touch of a button
- Measuring ranges: 0... 1, -1 ... 1, 0 ... 2, 0 ... 6, 0 ... 10 bar
- Analogue output 0 ... 10 V



Compact and low-cost: pressure and vacuum sensor SPAB

The SPAB offers a highly functional and attractively priced combination of a pressure and vacuum sensor. Easy to commission via buttons and multi-coloured, two-row display.

- Pressure supply ports with GPT, NPT, RPT threads
- Electrical connection M8 or cable
- Measuring ranges: -1 ... 1, 0 ... 10 bar
- Analogue and digital outputs

- Freely selectable pressure units
- Optional: adapter plate for connection in the tightest installation spaces



Optimal configuration thanks to unique connection flexibility: pressure sensor SPAU

The sensor for pressure measurement, pressure monitoring and pressure sensing that enables all pressure values to be checked at a glance. IO-Link mode enables

remote maintenance and parameterisation, as well as simple sensor replacement.

- Flexible connection concept
- Quick and easy mounting and commissioning

- Visual pressure status indicator
- One sensor for all controllers



Space-optimised: pressure and vacuum sensor SDE3

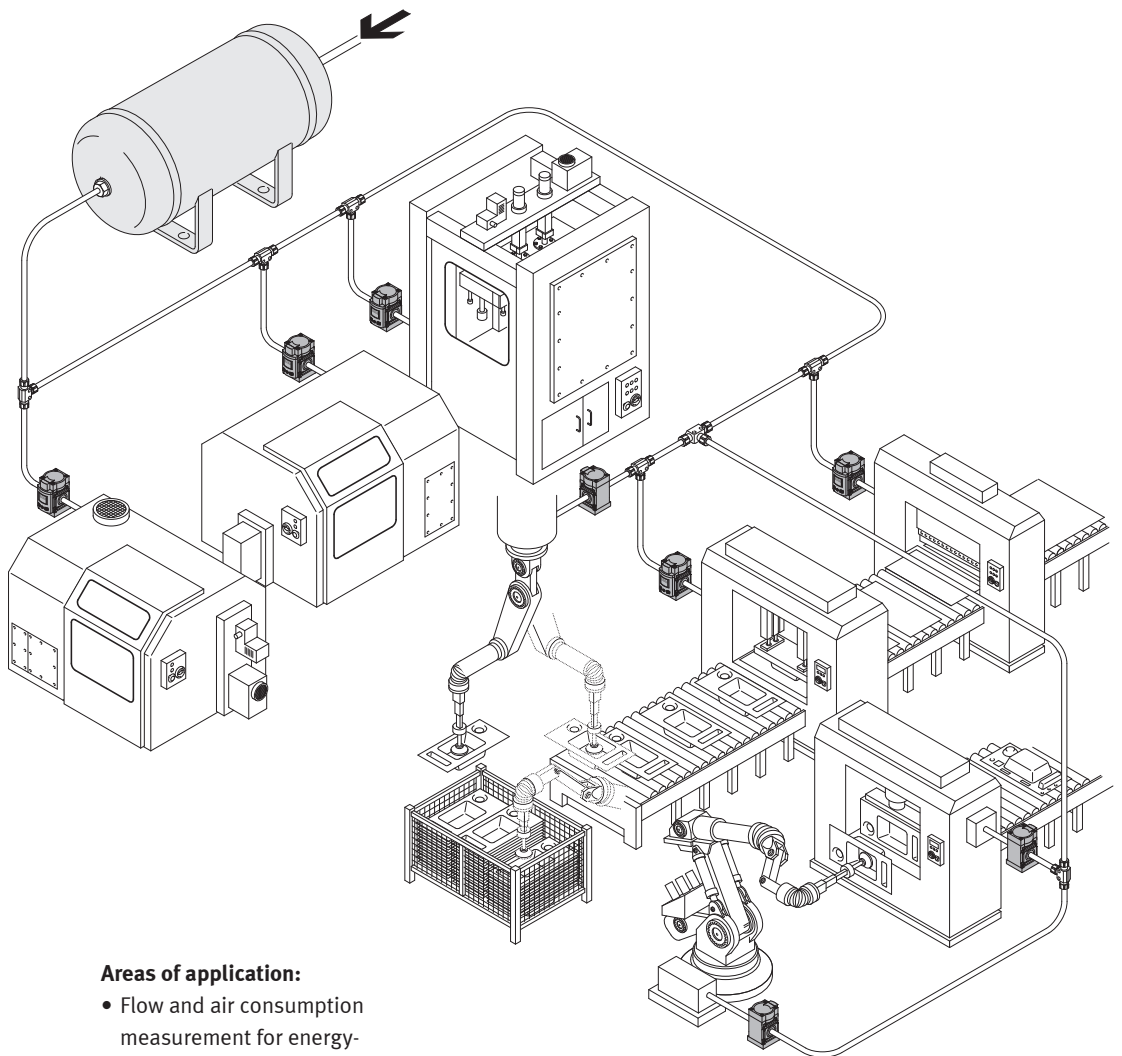
Designed for sensing relative and differential pressure – optionally with two independent pressure inputs and a two-colour LCD display in one unit.

- Intuitive prompting and fast teach-in option
- Alphanumerical pressure display for dynamic processes via bar chart
- Space-optimised

- Extremely fast H-rail and front panel mounting
- Code lock for preventing unauthorised changes

Flow sensors

By monitoring the flow, a simplified diagnostic and condition monitoring process can be implemented:
A change in the flow rate is often an indication that problems are likely to occur.



Areas of application:

- Flow and air consumption measurement for energy-efficient sensing
- Leakage monitoring
- Sensing for picking up very small parts (extra small vacuum suction nozzles)
- Presence checking
- Leak tightness testing



Enticingly compact: flow sensors and transmitters SFE3/SFET

Ideally suitable for applications in the electronics, light assembly, optical or pharmaceutical

industries: flow sensors from the series SFE3.

- SFE3: unidirectional flow sensor with display, measuring range of 0.05 ... 50 l/min

- SFET: flow transmitter, unidirectional measuring range 0.05 ... 50 l/min; bidirectional measuring range 0.05 ... 10 l/min
- Degree of protection IP40



Impressive, simple, reliable: flow sensors SFAB

Our new flow sensors, featuring an attractive display and control concept, are extremely impressive when it comes to flow monitoring, leakage detection and leak tightness testing of end products.

- Unidirectional flow sensor with display
- 270° rotatable display
- H-rail or wall mounting
- Switching in line with the 3 standard conditions (DIN 1343, ISO 2533, ISO 6358)

- Measuring ranges: 10, 50, 200, 600, 1000 l/min
- A high dynamic response of 1:100 offers an extensive measuring range with specific accuracy
- Integrated flow control valve



Compact, yet capable of high flow rates: flow sensors SFAM

The SFAM can be used as a stand-alone device or in combination with MS series service units. A large and bright display provides flow and consumption information,

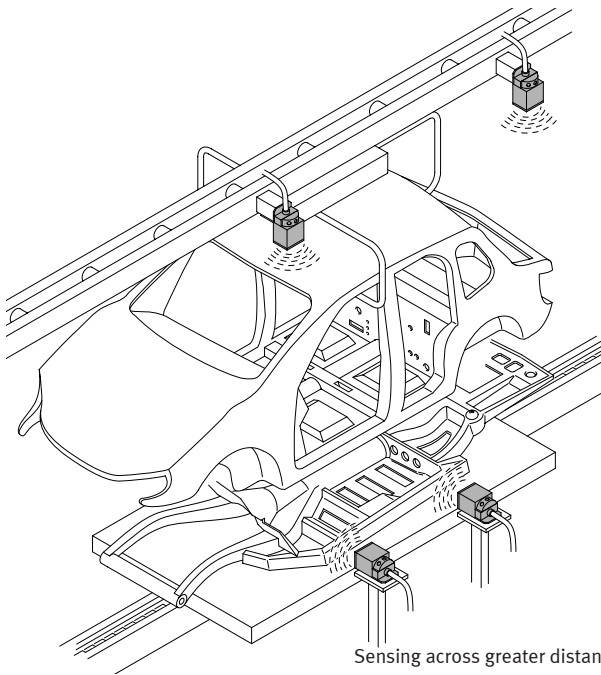
threshold values and convenient switching point adjustment.

- Switching in line with 3 standard conditions (DIN 1343, ISO 2533, ISO 6358)
- Flexible installation thanks to the compact design

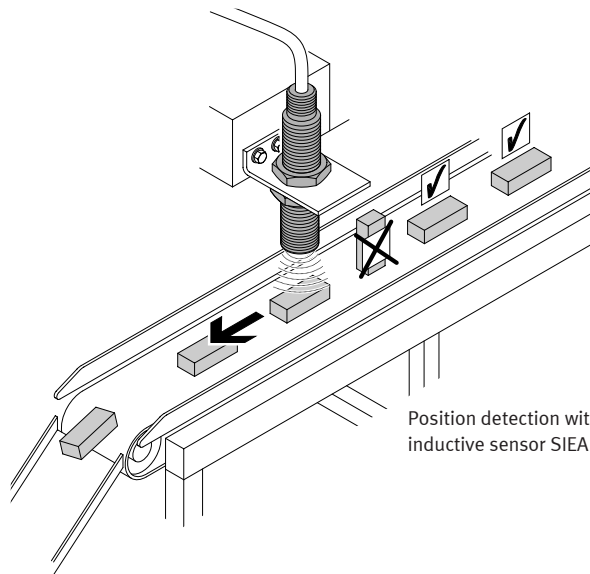
- Unidirectional flow sensor with display: choice of left or right
- Flow ranges: 1000, 3000, 5000, 10000, 15000 l/min
- A high dynamic response of 1:100 offers an extensive measuring range with specific accuracy

Inductive proximity switches and sensors

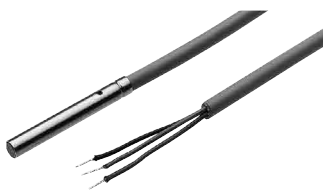
The sensors in the series SIE... keep a close eye on all metals, from detection through to distance measurement of metallic objects.



Sensing across greater distances:
inductive proximity sensor SIEF-Q40



Position detection with the analogue
inductive sensor SIEA



Standard inductive proximity sensors SIE...

Standardised, low cost, reliable, simple – suitable for a wide range of different applications.

- Diameters from 3 mm to M30
- With cable or plug
- N/C or N/O contact
- Flush or non-flush
- High degree of protection: IP67

- Direct voltage versions in 3-wire connection method, PNP and NPN
- LED for switching status indication
- Standard-compliant external design for easy replacement of existing solutions.



Polyamide inductive proximity switches SIEN/SIED...-PA

The ultimate cost-effective solution for sensing metal objects.

- Approved for the food and packaging industry, can also be used in the chemical industry
- Sturdy thanks to the high degree of protection IP65/IP67

- Standard sizes: M12, M18, M30
- Economical thanks to optimal price/performance ratio



250% faster: factor 1 inductive proximity switch SIEF

The perfect combination of new features – for the most reliable and easy-to-use sensor ever.

- Factor 1, identical sensing distances for a wide range of different metals
- Significantly higher sensing distance compared to standard switches

- 250% faster than conventional proximity switches
- Insensitive to external DC and AC magnetic fields.



Square: sensors SIES (special design)

Square designs in different sizes now expand the range of cylindrical sensors.

- Thanks to their design, these versions can be mounted directly and are thus extremely space-saving



Inductive sensor with analogue output SIEA

Simple, economical and precise for measuring, monitoring and control tasks up to a distance of 20 mm: the SIEA with distance-

proportional analogue signal has voltage and current outputs.

- Standard sizes M8, M12, M18, M30

- High resolution and excellent repetition accuracy
- Large sensing range up to 20 mm (M30)
- Analogue outputs: 4 ... 20 mA and 0 ... 10 V



Inductive sensor in stainless steel housing SIEH-... -CR

Sturdy due to the completely closed stainless steel housing, including the active surface.

- Full metal housing V2A-1.4305-AISI303
- For demanding mechanical requirements
- Pressure resistance

- Large sensing distances (also for other metals)
- M12, M18, (NO, PNP, NPN plug or cable)



Innovative: inductive proximity sensor SIES-8M

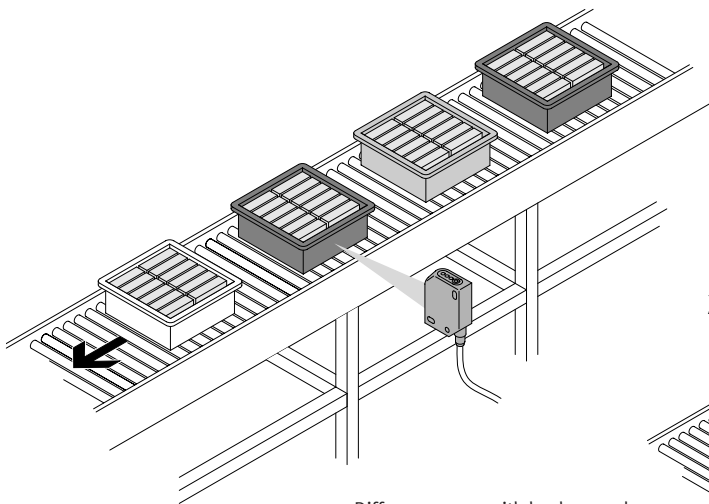
Ideal for sensing intermediate and end positions of electric drives. The only inductive sensor for type 8 slots with patented status display using two LEDs.

- Tried-and-tested mounting technology similar to proximity sensors
- Quick positioning and simple mounting using clamping technology
- Perfect visibility, regardless of the side from which it is approached

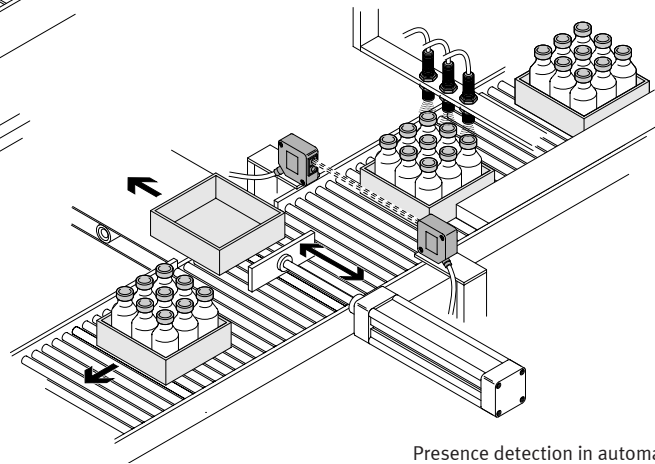
- Repetition accuracy $\leq \pm 0.05$ mm
- Power supply 10 ... 30 V
- Switching distance 1.5 mm
- As per EN 60947
- Flush mounting
- Operating temperature $-25 \dots +70$ °C

Optical sensors

Thanks to their optical measuring method, the sensor series SOE... cover a wide range of different functions, from detecting colour and miniature components through to laser distance sensing.



Diffuse sensors with background illumination can sense objects irrespective of the surface and colour.



Presence detection in automation technology



Small yet accurate: fibre-optic cables and fibre-optic units SOE4

These provide precise and space-saving position detection on very complex and compact machines, particularly in the electronics and light assembly industries. They can also detect small workpieces

(any material), at great distances or high temperatures.

- Highly flexible in use thanks to a choice of three fibre-optic units: with or without display, with display and analogue output
- Fast and reliable set-up using simple teach-in method

- Flexible switching between four operating modes: standard, fine mode, fast mode, long-distance mode
- Up to four fibre optic units mounted next to each other work in synch to avoid mutual interference



Reliable and efficient: Fork light barriers SOOF-P and SOOF-M

Easy to install and adjust because the emitter and the receiver are in a single housing. Conventional metal version or innovative polymer variant with

a status display which is visible from all sides.

- Degree of protection IP67
- Fork widths: 30, 50, 80 and 120 mm
- Numerous mounting types

- Good visibility thanks to red light
- Adjustment via teach-in (SOOF-P) or potentiometer (SOOF-M)
- Accurate, with high resolution and repetition accuracy



Outstanding: optical sensors SOE..-Q50

All sensors of the series SOE..-Q50 offer outstanding features such as scaling potentiometers secured against excess rotation, numerical scaling, as well

as superior display elements and a switching frequency of up to 2,500 Hz.

- Greatest possible precision
- Red light and laser
- Dimensions of just 50 x 50 x 17 mm

- Plug rotatable by 270° for M12 size, rotatable in steps of 45°
- Degree of protection IP67
- LEDs for the operating status and operating voltage display



Minimal size: colour sensor SOEC-RT-Q50

Using only a white light source, and with a standard housing, the SOEC-RT-Q50 can locate objects anywhere within its entire operating range. Featuring 5 definable

limit values the sensor can be optimally tuned to the colour of the test object.

- The sensor can quickly and easily learn to recognise new colours of objects via its “teach in” function.

- 3 independent channels with teach-in capability
- Switching frequency 500 Hz



Standard design: opto-electronic sensors SOEG-...-M12/M18/M18W

Standard-compliant design to make exchanging sensors easy. Numerous variants such as diffuse sensors, sensors

with background suppression, retro-reflective and through-beam sensors, etc.

- Diameters: M12, M18 and M18W (with lateral light emission)
- With cable or plug
- With PNP or NPN output



Miniature size: opto-electronic sensors SOE-...-Q20

The new opto-electronic sensor series Q20 with practical teach-in function. Ideal for restricted installation spaces, Excellent precision, dynamic process

adaptation and maximum ease-of-use.

- Size 20 x 32 x 12 mm
- High degree of protection IP67
- Switching frequency up to 4,000 Hz

- Reliable adjustment via visible red light and laser
- Teach-in via buttons, remote control via electrical connection. Integrated protection against manipulation.
- Dynamic teach-in



Compact design: opto-electronic sensors SOE-...-Q30

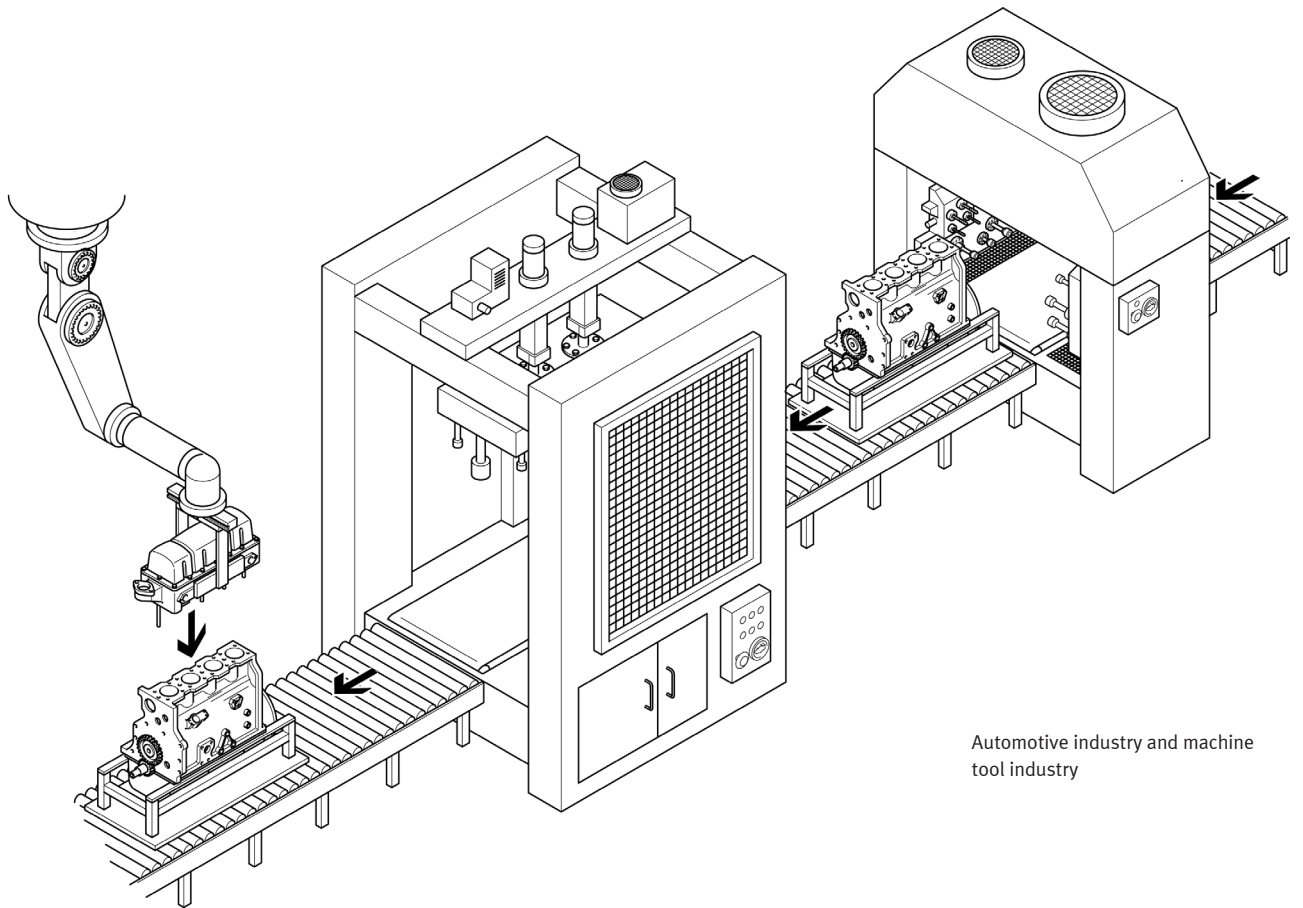
Q30 sensors provide maximum performance in a miniature housing. They are compact, extremely sturdy and offer all protective functions. The full programme includes

light sensors, high-precision diffuse sensors with background suppression, retro-reflective sensors, through-beam sensors and fibre-optic units.

- Size 30 x 30 x 15 mm
- Resistant to shock and vibration thanks to one-piece moulding
- Diffuse sensor with precise background suppression

Industry-specific sensors

All kinds of industries rely on the excellent products and services from Festo. This leads to a first-class partnership and the creation of application-optimised products in line with the needs and tasks of customers which will increase your productivity and process reliability. And it enables us to offer the automotive industry, the food industry and many other sectors everything from a single source.



Automotive industry and machine tool industry



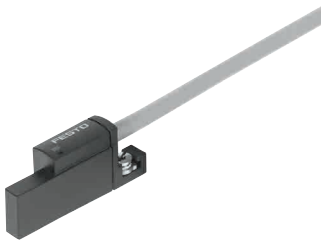
Precise and reliable: air gap sensor SOPA

The reliable, attractively priced compact solution for high precision contact monitoring in the μm range, for example when machining engine parts. Fully equipped with a controller module, compressed air regulation, measurement air

switch-off, air jet function and up to 4 measuring modules. Added bonus: up to 4 air gap sensors can be configured on a modular basis and pneumatically linked.

- Detection of 2 different distances with distance correlation is possible

- Distance detection of workpieces with 2 different types of surface roughness
- Measuring range: 20 ... 200 μm
- Operating pressure: 4 ... 7 bar
- Switching value: $\pm 2.5 \mu\text{m}$
- Switching function freely programmable
- IP65 degree of protection



Absolutely safe welding: welding field immune proximity sensor SDBT-BSW

Ideal for hinge cylinders DFAW, the SDBT-BSW is unique as it is welding field immune for medium frequency welding at 1,000 Hz MFDC. And it functions reliably with 50 Hz AC

welding as well. It does its job in the automotive industry extremely reliably and indicates the mid or end position of the piston in binary mode.

- Standardised package solution, reliable both mechanically and electrically
- Sensor and cylinder DFAW, ADN or DSBC from a single source
- Immune to magnetic fields generated by typical welding applications
- Cable and housing materials resistant to welding spatter



Capable of high loads: cylinder switch CRSMT-8M with FDA approval

The CRSMT-8M is extremely durable whether used in the food industry or in harsh ambient conditions. The range includes mounting components for Clean

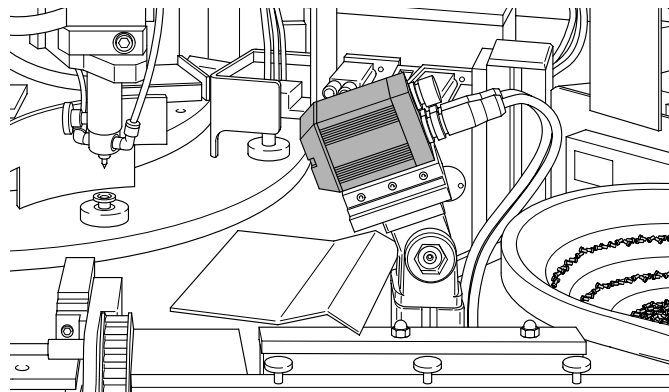
Design drives with a sensor rail-quick, easy and stable to install.

- Resistant to acids, alkali and cooling lubricants
- Degree of protection: IP65, IP68 and IP 69 k

- Cable length up to 10 m
- Connection technology: M8 or M12 with rotatable thread; open end

Image processing systems

Simply cost-effective: innovative and intelligent camera systems. Thanks to the compact, industrial design and clear interface definition, these versatile vision systems can also be easily integrated into existing installations.



For type, position and rotary orientation detection: the intelligent compact camera system SBO...Q



Vision sensor SBSI

With the vision sensor SBSI, simple vision system applications can be realised quickly and inexpensively even without expert knowledge. Whether you want to read codes or carry out simple quality

inspections, the SBSI can be commissioned in just 3 steps.

- All-in-one device with optical system, lighting, evaluation and communication
- Sensor resolution: 736 x 480 pixels (WideVGA)

- Powerful and fast software tools
- External light SBAL can be connected directly – Festo plug and work



Camera system SBOC-Q/SBOI-Q

Intelligent camera for accurate positioning of axes, type identification, position detection and 2D quality inspection of moving and stationary parts. Plus: OCR and reading 1/2-D codes.

- Sensor resolutions: 640 x 480, 752 x 480 or 1280 x 1024 pixels (monochrome and colour)
- Standardised software interface using Ethernet, as well as 24V I/O

- Integrated PLC runtime system (CODESYS 2.3)
- CANopen master functionality in combination with CODESYS
- Lens mounting: integrated lens or C mount
- Compact dimensions, lightweight



Camera system SBOC-M/SBOI-M

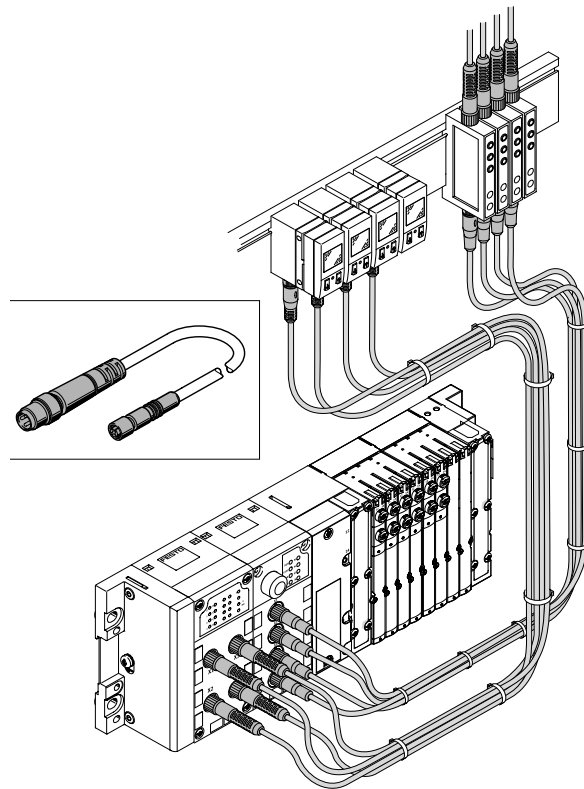
Designed to support diagnostics and commissioning as well as function monitoring during fast motion sequences. The innovative and low-cost alternative to conventional high-speed cameras.

- Integrated electronics to record and save motion sequences
- Several cameras networked via Ethernet and synchronisable
- Lens mounting: C mount
- Working distance: depends on the selected lens

- Field of vision: depends on the selected lens
- Sensor resolution: 640 x 480 pixels
- Frame rate: 240 ... 2100 fps
- High light sensitivity

Connection technology

Fits and functions smoothly: the sensor portfolio from Festo Optimally harmonised with each other, the modular cable system NEBU connects field devices and controllers – connection problems are a thing of the past.



Connect quickly and easily over ranges of up to 30 m: modular system for connecting cables NEBU



Multiple combinations: modular system for connecting cables NEBU

Find the ideal connection quickly: the modular system for connecting cables provides unlimited combination possibilities for sockets,

various cable lengths and qualities, and plugs. Low cost, reliable and flexible. Matched to all devices with M8 and M12 plugs such as proximity sensors, position transmitters, pressure and flow sensors, optical and inductive sensors,

as well as individual valves. Cable lengths are freely selectable within a range of 0.1 to 30 m.



Remote control: signal converter SVE4

The signal converter SVE4 converts the analogue output signal from a sensor into switching points that can be taught in directly on the signal converter. They are ideal wherever

the accessibility of sensors is limited.

- Two switching outputs which are independently configurable as required as threshold value, hysteresis or window comparator

- Fast installation without interrupting system operation
- Easy commissioning thanks to integrated teach-in function



Productivity

Maximum productivity is a question of ambition

Do you share this attitude? We will be glad to help you achieve this goal – through our four outstanding qualities:

- Security • Efficiency • Simplicity • Competency

We are the engineers of productivity.

Discover new dimensions for your company:

→ www.festo.com/whfesto