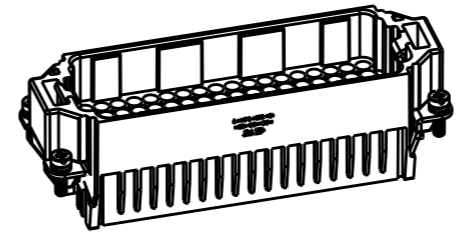
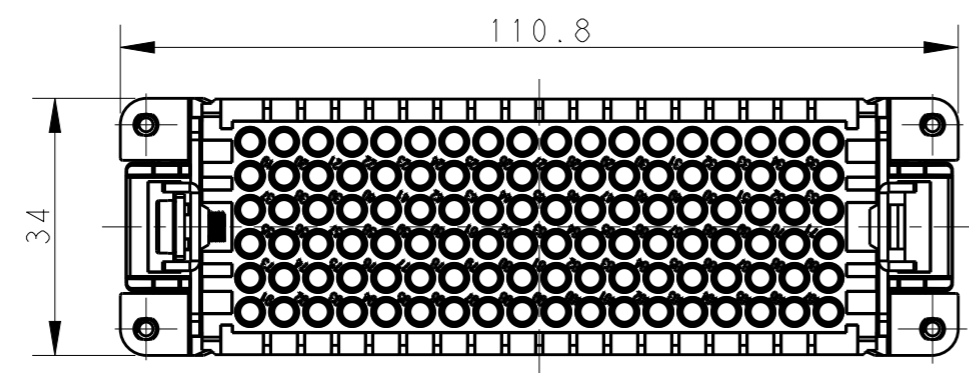
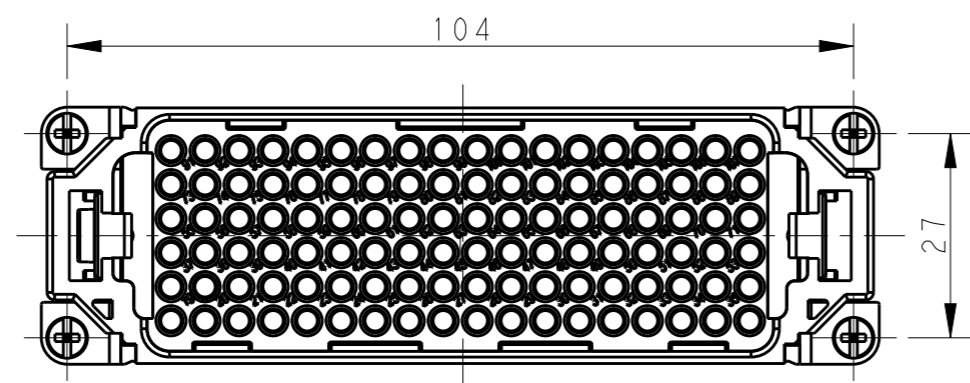
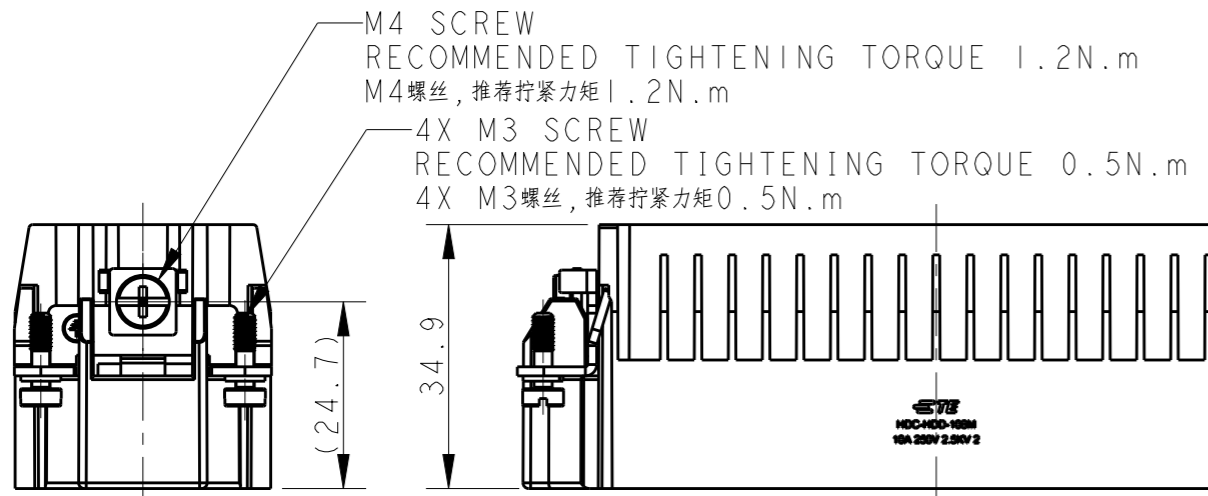


THIS DRAWING IS UNPUBLISHED. RELEASED FOR PUBLICATION 20
 © COPYRIGHT 20 BY - ALL RIGHTS RESERVED.

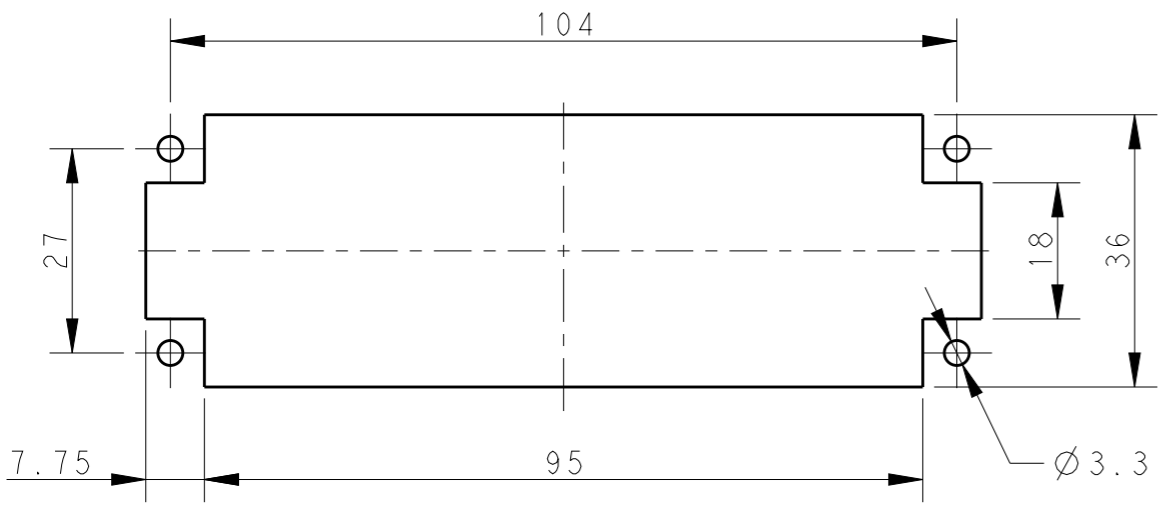
REVISIONS					
P	LTR	DESCRIPTION	DATE	DWN	APVD
	A	INITIAL RELEASE	23AUG2017	YC	CW



- NOTES:
- TECHNICAL CHARACTERISTICS:
 INSULATION MATERIAL: PC
 RATED VOLTAGE: 250 V
 RATED CURRENT: 10 A
 INSULATION RESISTANCE: $\geq 400M\Omega$
 RATED IMPULSE VOLTAGE: 2.5 KV
 POLLUTION DEGREE: 2
 FLAMMABILITY: UL94V-0
 MATING CYCLES: 500 CYCLES
 WIRE RANGE: 0.14-2.5 mm² (26-14 AWG)
 CONTACT TYPE: CRIMP CONTACT
 - CONTACT NEED TO BE ORDERED SEPARATELY.
 (ORDER No. REFER TO DRAWING: T20200X10XX000)



- 注释:
- 技术参数:
 绝缘材料: PC
 额定电压: 250V
 额定电流: 10A
 绝缘电阻: $\geq 400M\Omega$
 额定脉冲电压: 2.5 KV
 污染等级: 2
 阻燃等级: UL94V-0
 插拔次数: 500次
 接线范围: 0.14-2.5 mm² (26-14 AWG)
 接线类型: 冷压接
 - 端子需要单独订购,
 (订货号参考图面: T20200X10XX000)



PANEL CUT OUT FOR INSERTS FOR USING WITHOUT HOODS/HOUSINGS
 不使用防护外壳时平面开孔尺寸

THIS DRAWING IS A CONTROLLED DOCUMENT.

DIMENSIONS:	TOLERANCES UNLESS OTHERWISE SPECIFIED:
mm	0 PLC ±-
	1 PLC ±-
	2 PLC ±-
	3 PLC ±-
	4 PLC ±-
	ANGLES ±-
MATERIAL	FINISH
-	-
-	-

DWN	23AUG2017
YORK CHEN	
CHK	23AUG2017
GINO YAO	
APVD	23AUG2017
CHRIS WANG	
PRODUCT SPEC	108-137043
APPLICATION SPEC	114-137043
WEIGHT	-
CUSTOMER DRAWING	

T2031082101-007	HDD-108-M	HDD-108 MALE INSERT HDD-108 公插
PART NUMBER 料号	PART DESCRIPTION 产品描述	
TE Connectivity		
NAME HDD-108-M		
SIZE A3	CAGE CODE -	DRAWING NO T2031082101007
RESTRICTED TO -		SCALE 1:1
SHEET 1 OF 1		REV A