

AP836 35W TO-220 High Power Resistors



- 35 watts at 25° C case temperature heat sink mounted
- TO-220 style power package
- Single screw mounting to heat sink
- Moulded case for protection
- Electrically isolated case
- Non-Inductive design
- RoHS compliant

Characteristics

Value Range	TCR (PPM/°C)			
	±0.5%	±1%	±5%	±10%
1R - 3R		±300	±300	±300
3R - 10R		±100	±100	±100
10R - 10K	±50	±50	±50	±50
	±100	±100	±100	±100
	±200	±200	±200	±200

Operating Voltage: 350V Max.
 Dielectric Strength: 1800VAC
 Insulation Resistance: 10G min.
 Working Temperature Range: -65°C to +150°C
 Resistance Value < 1R available on request
 Lead material: tinned copper
 Maximum torque: 0.9 N-m
 Without a heat sink, when in free air at 25°C, the AP836 is rated for 2.50W
 The case temperature is to be used for the definition of the applied power limit
 The case temperature measurement must be made with a thermocouple contacting the centre of the component mounted on the designed heat sink.
 Thermal grease should be applied properly

Item	Requirement	Test Method
Temperature Coefficient of Resistance (T.C.R.)	As Spec.	Referenced to 25°C, ΔR taken at +105°C
Load Life	ΔR±1.0%	Rated power, 2,000 hours
Solderability	90% min. coverage	245±5°C for 3 seconds
Short time overload	ΔR±0.3%	2 times rated power with applied voltage not to exceed 1.5 times maximum continuous operating voltage for 5 seconds
Damp heat (cycled)	ΔR±0.5%	40±2°C 90-95% RH max working voltage for 1000hours with 1.5 hours on and 0.5 hours off
Thermal Shock	ΔR±0.3%	-65°C - 150°C, 100 cycles
Terminal Strength	ΔR±0.2%	(Pull Test) 2.4N
Vibration, High Frequency	ΔR±0.2%	20g peak

ARCOL UK Limited,
 Threemilestone Ind. Estate
 Truro, Cornwall, TR4 9LG
 T +44 (0)1872 277431
 F +44 (0)1872 222002
 E sales@arcolresistors.com

www.arcolresistors.com

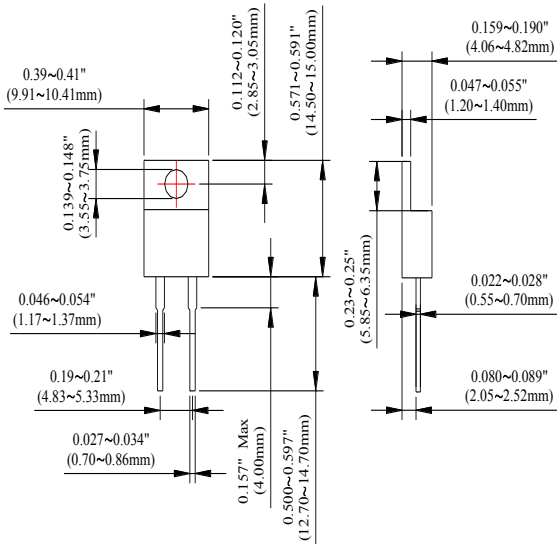
The information contained herein does not form part of a contract and is subject to change without notice. Arcol operate a policy of continual product development, therefore, specifications may change.

It is the responsibility of the customer to ensure that the component selected from our range is suitable for the intended application. If in doubt please ask Arcol.

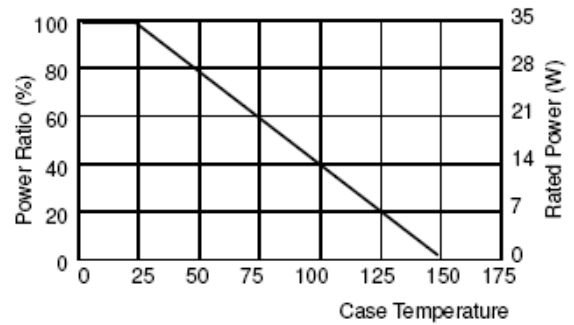
AP836 35W TO-220 High Power Resistors



Dimensions



Derating Curve



Ordering Procedure

Standard resistor: Series, Resistance, Tolerance Code, TCR
 eg: AP836 1R J 300ppm

ARCOL UK Limited,
 Threemilestone Ind. Estate
 Truro, Cornwall, TR4 9LG
 T +44 (0)1872 277431
 F +44 (0)1872 222002
 E sales@arcolresistors.com

www.arcolresistors.com

The information contained herein does not form part of a contract and is subject to change without notice. Arcol operate a policy of continual product development, therefore, specifications may change.

It is the responsibility of the customer to ensure that the component selected from our range is suitable for the intended application. If in doubt please ask Arcol.