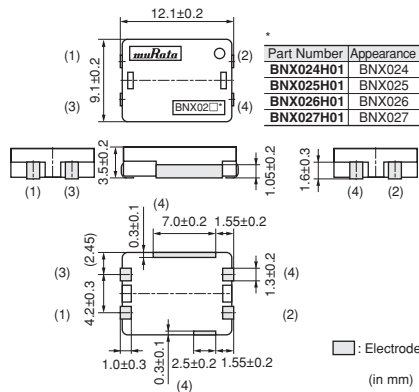


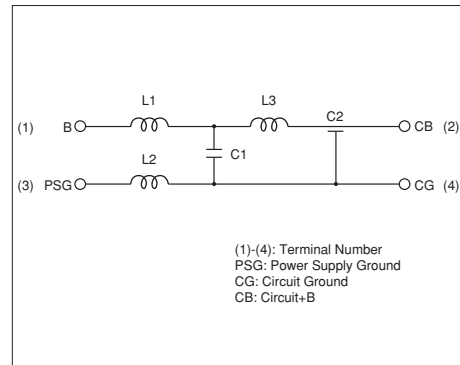
For Automotive Block Type EMIFIL® (LC Combined) for Automotive

BNX02*H Series

■ Dimensions

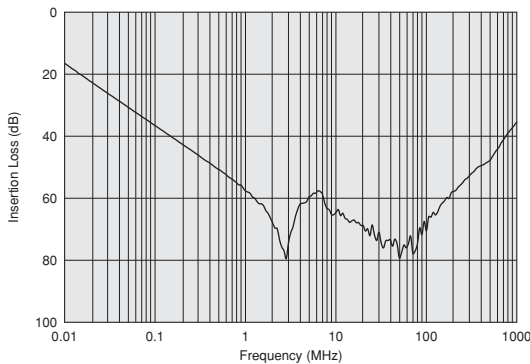


■ Equivalent Circuit



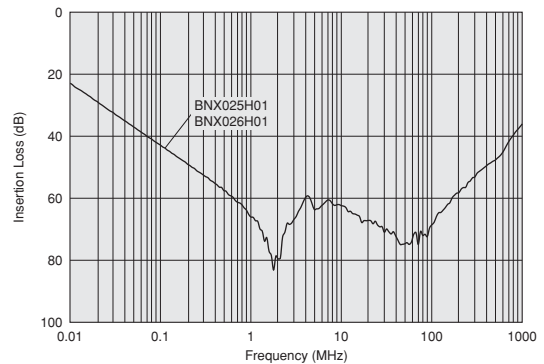
■ Insertion Loss Characteristics (Main Items)

BNX024H01



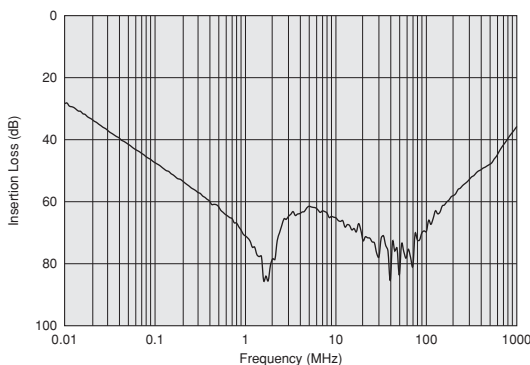
■ Insertion Loss Characteristics (Main Items)

BNX025H01/BNX026H01



■ Insertion Loss Characteristics (Main Items)

BNX027H01



■ Packaging

Code	Packaging	Minimum Quantity
L	180mm Embossed Tape	400
K	330mm Embossed Tape	1500
B	Bulk(Bag)	100

Continued on the following page.

● This data sheet is applied for Block Type EMIFIL® used for Automotive Electronics equipment for your design.

⚠ Note:

1. This datasheet is downloaded from the website of Murata Manufacturing co., ltd. Therefore, it's specifications are subject to change or our products in it may be discontinued without advance notice. Please check with our sales representatives or product engineers before ordering.
2. This datasheet has only typical specifications because there is no space for detailed specifications. Therefore, please approve our product specifications or transact the approval sheet for product specifications before ordering.

 Continued from the preceding page.

■ Rated Value (□: packaging code)

Part Number	Rated Voltage	Withstand Voltage	Rated Current	Insulation Resistance (min.)	Insertion Loss
BNX024H01□	50Vdc	125Vdc	15A	100M ohm	100kHz to 1GHz:35dB min. (Line impedance=50 ohm)
BNX025H01□	25Vdc	62.5Vdc	15A	50M ohm	50kHz to 1GHz:35dB min. (Line impedance=50 ohm)
BNX026H01□	50Vdc	125Vdc	15A	10M ohm	50kHz to 1GHz:35dB min. (Line impedance=50 ohm)
BNX027H01□	16Vdc	40Vdc	15A	1M ohm	40kHz to 1GHz:35dB min. (Line impedance=50 ohm)

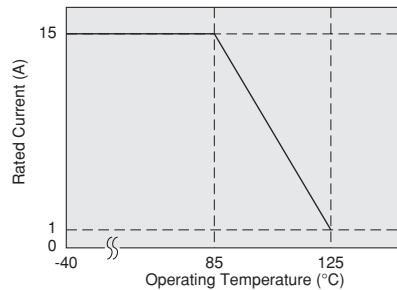
Operating Temperature Range: -55 to +125°C

In operating temperatures exceeding +85°C, derating of current is necessary.

■ Derating of Rated current

In operating temperature exceeding +85°C, derating of current is necessary for BNX024H/025H/026H/027H series. Please apply the derating curve shown in chart according to the operating temperature.

Derating of Rated Current



■ ⚠ Caution (Rating)

1. Do not use products beyond the rated current and rated voltage as this may create excessive heat and deteriorate the insulation resistance.
2. Be sure to provide an appropriate fail-safe function on your product to prevent a second damage that may be caused by the abnormal function or the failure our product.

● This data sheet is applied for Block Type EMIFIL® used for Automotive Electronics equipment for your design.

⚠ Note:

1. This datasheet is downloaded from the website of Murata Manufacturing co., ltd. Therefore, it's specifications are subject to change or our products in it may be discontinued without advance notice. Please check with our sales representatives or product engineers before ordering.
2. This datasheet has only typical specifications because there is no space for detailed specifications. Therefore, please approve our product specifications or transact the approval sheet for product specifications before ordering.