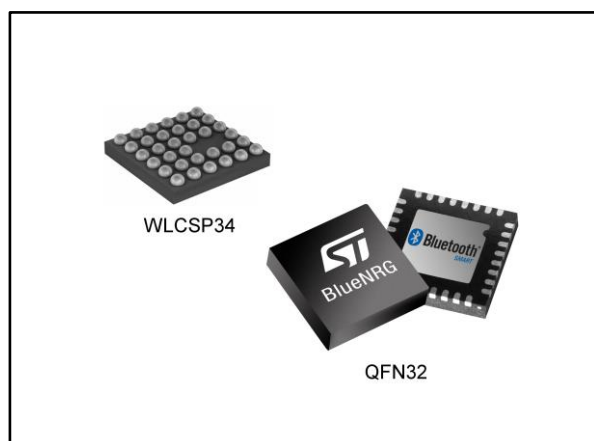


Bluetooth® low energy wireless system-on-chip

Datasheet - production data



Features

- Bluetooth low energy single mode system-on-chip compliant with its specifications:
 - master, slave and multiple simultaneous roles
- Operating supply voltage: from 1.7 to 3.6 V
- Integrated linear regulator and DC-DC step-down converter
- Operating temperature range: -40 °C to 105 °C
- High performance, ultra-low power Cortex-M0 32-bit based architecture core
- Programmable 160 kB Flash
- 24 kB RAM with retention (two 12 kB banks)
- 1 x UART interface
- 1 x SPI interface
- 2 x I²C interface
- 14 or 15 GPIO
- 2 x multifunction timer
- 10-bit ADC
- Watchdog and RTC
- DMA controller
- PDM stream processor
- 16 or 32 MHz crystal oscillator
- 32 kHz crystal oscillator
- 32 kHz ring oscillator
- Battery voltage and temperature sensors
- Average advertisement current consumption 15.34 µA (advertisement interval 1000 ms)
 - 1 year, 8 months, 19 days with 230 mAh battery (CR2032)
- Average connection current consumption 7.059 µA (connection interval 1000 ms)
 - 3 years, 10 months, 12 days with 230 mAh battery (CR2032)
- ST companion integrated balun/filter chips are available
- Up to +8 dBm available output power (at antenna connector)
- Excellent RF link budget (up to 96 dB)
- Accurate RSSI to allow power control
- 8.3 mA TX current (@ -2 dBm, 3.0 V)
- Down to 1 µA current consumption with active BLE stack (sleep mode)
- Suitable for building applications compliant with the following radio frequency regulations: ETSI EN 300 328, EN 300 440, FCC CFR47 Part 15, ARIB STD-T66
- Pre-programmed bootloader via UART
- QFN32, WCSP34 package options

Applications

- Watches
- Fitness, wellness and sports
- Consumer medical
- Security/proximity
- Remote control
- Home and industrial automation
- Assisted living
- Mobile phone peripherals
- Lighting
- PC peripherals

Contents

1	Description.....	11
2	BlueNRG-1 Bluetooth low energy stack	13
3	Functional details.....	15
3.1	Core	15
3.2	Interrupts.....	15
3.3	Memories	17
3.4	Power management	17
3.4.1	State description.....	17
3.4.2	Power saving strategy	19
3.4.3	System controller registers.....	19
3.5	Clocks and reset management.....	21
3.5.1	Reset management	22
3.5.2	Reset and wake-up reason decoding.....	25
3.5.3	Switching to external clock	25
3.5.4	Clock and reset registers.....	26
3.6	ADC	30
3.6.1	Introduction.....	30
3.6.2	Functional overview.....	30
3.6.3	ADC registers	34
3.7	DMA	38
3.7.1	Introduction.....	38
3.7.2	Functional overview.....	39
3.7.3	DMA registers.....	45
3.8	SPI	55
3.8.1	Introduction.....	55
3.8.2	Functional overview.....	55
3.8.3	SPI registers	60
3.9	UART	67
3.9.1	Introduction.....	67
3.9.2	Functional description.....	68
3.9.3	UART registers	75
3.10	I ² C	88
3.10.1	Introduction.....	88
3.10.2	Functional description.....	89
3.10.3	I ² C registers	91

3.11	Flash controller.....	106
3.11.1	Flash controller introduction	106
3.11.2	Flash controller functional description	106
3.11.3	Flash controller registers	109
3.12	GPIO	111
3.12.1	Introduction	111
3.12.2	Functional description.....	111
3.12.3	GPIO registers.....	114
3.13	MFT	118
3.13.1	MFT introduction.....	118
3.13.2	MFT functional description	119
3.13.3	MFT registers	128
3.14	Watchdog.....	132
3.14.1	Introduction.....	132
3.14.2	Functional description.....	132
3.14.3	Watchdog registers.....	133
3.15	RTC.....	135
3.15.1	Introduction	135
3.15.2	Functional description.....	135
3.15.3	RTC registers	138
3.16	RNG	145
3.16.1	Introduction	145
3.16.2	Functional description.....	145
3.16.3	RNG registers.....	145
3.17	PDM stream processor	146
3.18	System timer (SysTick)	146
3.19	Public key accelerator (PKA).....	146
3.19.1	PKA functional description	146
3.19.2	PKA registers.....	147
3.20	TX/RX event alert.....	149
3.21	SWD debug feature.....	149
3.21.1	Debugging tips.....	150
3.22	Bluetooth low energy radio.....	150
3.22.1	Radio operating modes	150
3.23	Pre-programmed bootloader	151
3.24	Unique device serial number.....	151

4	Pin description	152
5	Memory mapping.....	156
6	Application circuit	158
7	Absolute maximum ratings and thermal data	161
8	General characteristics.....	162
9	Electrical specifications.....	163
9.1	Electrical characteristics.....	163
9.1.1	Peripheral current consumption	164
9.2	RF general characteristics	165
9.3	RF transmitter characteristics.....	165
9.4	RF receiver characteristics.....	166
9.5	High speed crystal oscillator characteristics.....	167
9.5.1	High speed crystal oscillator.....	167
9.6	Low speed crystal oscillator characteristics	169
9.7	High speed ring oscillator characteristics	169
9.8	Low speed ring oscillator characteristics	169
9.9	N-fractional frequency synthesizer characteristics	169
9.10	Auxiliary block characteristics	170
10	Package information	173
10.1	QFN32 package information	174
10.2	WLCSP34 package information	176
11	PCB assembly guidelines.....	178
12	Ordering information.....	180
13	Revision history	181

List of tables

Table 2: BlueNRG-1 interrupt vectors.....	16
Table 3: Relationship between BlueNRG-1 states and functional blocks	19
Table 4: SYSTEM_CTRL registers.....	19
Table 5: SYSTEM_CTRL - WKP_IO_IS register description: address offset SYSTEM_CTRL_BASE_ADDR+0x00.....	20
Table 6: SYSTEM_CTRL - WKP_IO_IE register description: address offset SYSTEM_CTRL_BASE_ADDR+0x04.....	20
Table 7: SYSTEM_CTRL - CTRL register description: address offset SYSTEM_CTRL_BASE_ADDR+0x08.....	20
Table 8: AHBUPCONV registers	20
Table 9: BLUE_CTRL registers	21
Table 10: CKGEN_SOC registers	26
Table 11: CKGEN_SOC - REASON_RST register description: address offset CKGEN_SOC_BASE_ADDR+0x08	26
Table 12: CKGEN_SOC - DIE_ID register description: address offset CKGEN_SOC_BASE_ADDR+0x1C	27
Table 13: CKGEN_SOC - CLOCK_EN register description: address offset CKGEN_SOC_BASE_ADDR+0x20	27
Table 14: CKGEN_SOC - DMA_CONFIG register description: address offset CKGEN_SOC_BASE_ADDR+0x24	27
Table 15: CKGEN_BLE registers	28
Table 16: CKGEN_BLE - REASON_RST register description: address offset CKGEN_BLE_BASE_ADDR+0x08	29
Table 17: CKGEN_BLE - CLK32K_COUNT register description: address offset CKGEN_BLE_BASE_ADDR+0x0C.....	29
Table 18: CKGEN_BLE - CLK32K_PERIOD register description: address offset CKGEN_BLE_BASE_ADDR+0x10	29
Table 19: CKGEN_BLE - CLK32K_FREQ register description: address offset CKGEN_BLE_BASE_ADDR+0x14	30
Table 20: CKGEN_BLE - CLK32K_IT register description: address offset CKGEN_BLE_BASE_ADDR+0x18	30
Table 21: ADC channels.....	31
Table 22: ADC data rate	31
Table 23: ADC parameter settings	32
Table 24: Output data rate with microphone	32
Table 25: ADC registers.....	34
Table 26: ADC - CTRL register description: address offset ADC_BASE_ADDR+0x00.....	35
Table 27: ADC - CONF register description: address offset ADC_BASE_ADDR+0x04.....	36
Table 28: ADC - IRQSTAT register description: address offset ADC_BASE_ADDR+0x08.....	37
Table 29: ADC - IRQMASK register description: address offset ADC_BASE_ADDR+0x0C.....	37
Table 30: ADC - DATA_CONV register description: address offset ADC_BASE_ADDR+0x14.....	37
Table 31: ADC - OFFSET register description: address offset ADC_BASE_ADDR+0x18.....	37
Table 32: ADC - SR_REG register description: address offset ADC_BASE_ADDR+0x20	38
Table 33: ADC - THRESHOLD_HI register description: address offset ADC_BASE_ADDR+0x24	38
Table 34: ADC - THRESHOLD_LO register description: address offset ADC_BASE_ADDR+0x28	38
Table 35: Programmable data width and endian behavior (when bits PINC = MINC = 1)	41
Table 36: DMA interrupt requests.....	44
Table 37: DMA registers	45
Table 38: DMA - ISR register description: address offset DMA_BASE_ADDR+0x00	45
Table 39: DMA - IFCR register description: address offset DMA_BASE_ADDR+0x04	49
Table 40: DMA_CHx registers	53
Table 41: DMA_CHx - CCR register description: address offset DMA_CHX_BASE_ADDR+0x00.....	53
Table 42: DMA_CHx - CNDTR register description: address offset DMA_CHX_BASE_ADDR+0x04	54

Table 43: DMA_CHx - CPAR register description: address offset DMA_CHX_BASE_ADDR+0x08.....54

Table 44: DMA_CHx - CMAR register description: address offset DMA_CHX_BASE_ADDR+0x0C55

Table 45: SPI pin assignments55

Table 46: SPI clock phase and clock polarity56

Table 47: SPI_OUT endianness57

Table 48: SPI_IN endianness57

Table 49: SPI registers60

Table 50: SPI - CR0 register description: address offset SPI_BASE_ADDR+0x00.....61

Table 51: SPI - CR1 register description: address offset SPI_BASE_ADDR+0x04.....62

Table 52: SPI - DR register description: address offset SPI_BASE_ADDR+0x08.....64

Table 53: SPI - SR register description: address offset SPI_BASE_ADDR+0x0C64

Table 54: SPI - CPSR register description: address offset SPI_BASE_ADDR+0x10.....64

Table 55: SPI - IMSC register description. Address offset SPI_BASE_ADDR+0x14.65

Table 56: SPI - RIS register description: address offset SPI_BASE_ADDR+0x18.....65

Table 57: SPI - MIS register description: address offset SPI_BASE_ADDR+0x1C.....65

Table 58: SPI - ICR register description: address offset SPI_BASE_ADDR+0x20.....66

Table 59: SPI - DMACR register description: address offset SPI_BASE_ADDR+0x24.....66

Table 60: SPI – RXFRM register description: address offset SPI_BASE_ADDR+0x2866

Table 61: SPI – CHN register description: address offset SPI_BASE_ADDR+0x2C.....66

Table 62: SPI – WDTXF register description: address offset SPI_BASE_ADDR + 0x3067

Table 63: SPI - ITCR register description: address offset SPI_BASE_ADDR+0x8067

Table 64: SPI – TDR register description: address offset SPI_BASE_ADDR+0x8C67

Table 65: RX FIFO errors68

Table 66: Typical baud rates with OVSFACT = 0.....70

Table 67: Typical baud rates with OVSFACT = 1.....70

Table 68: Control bits to enable and disable hardware flow control.....71

Table 69: Control bits to enable and program receive software flow control.....72

Table 70: Control bits to enable and program transmit software flow control73

Table 71: UART registers76

Table 72: UART - DR register description: address offset UART_BASE_ADDR+0x00.....77

Table 73: UART - RSR register description: address offset UART_BASE_ADDR+0x0477

Table 74: UART - TIMEOUT register description: address offset UART_BASE_ADDR+0x0C78

Table 75: UART - FR register description: address offset UART_BASE_ADDR+0x1878

Table 76: UART - LCRH_RX register description: address offset UART_BASE_ADDR+0x1C79

Table 77: UART - IBRD register description: address offset UART_BASE_ADDR+0x2480

Table 78: UART - FBRD register description: address offset UART_BASE_ADDR+0x2880

Table 79: UART - LCRH_TX register description: address offset UART_BASE_ADDR+0x2C.....81

Table 80: UART - CR register description: address offset UART_BASE_ADDR+0x30.....82

Table 81: UART - IFLS register description: address offset UART_BASE_ADDR+0x3483

Table 82: UART - IMSC register description: address offset UART_BASE_ADDR+0x38.....83

Table 83: UART - RIS register description: address offset UART_BASE_ADDR+0x3C84

Table 84: UART - MIS register description: address offset UART_BASE_ADDR+0x4085

Table 85: UART - ICR register description: address offset UART_BASE_ADDR+0x44.....86

Table 86: UART - DMACR register description: address offset UART_BASE_ADDR+0x4887

Table 87: UART - XFCR register description: address offset UART_BASE_ADDR+0x5087

Table 88: UART - XON1 register description: address offset UART_BASE_ADDR+0x5488

Table 89: UART - XON2 register description. Address offset UART_BASE_ADDR+0x58.88

Table 90: UART - XOFF1 register description. Address offset UART_BASE_ADDR+0x5C.88

Table 91: UART - XOFF2 register description. Address offset UART_BASE_ADDR+0x60.88

Table 92: I2Cx registers.....91

Table 93: I2C - CR register description: address offset I2CX_BASE_ADDR+0x0092

Table 94: I2C - SCR register description: address offset I2CX_BASE_ADDR+0x0494

Table 95: I2C2 - MCR register description: address offset I2CX_BASE_ADDR+0x0C94

Table 96: I2C - TFR register description: address offset I2CX_BASE_ADDR+0x1095

Table 97: I2C - SR register description: address offset I2CX_BASE_ADDR+0x1496



Table 98: I2C - RFR register description: address offset I2CX_BASE_ADDR+0x18	97
Table 99: I2C - TFTR register description: address offset I2CX_BASE_ADDR+0x1C	97
Table 100: I2C - RFTR register description: address offset I2CX_BASE_ADDR+0x20	98
Table 101: I2C - DMAR register description: address offset I2CX_BASE_ADDR+0x24	98
Table 102: I2C - BRCCR register description: address offset I2CX_BASE_ADDR+0x28	98
Table 103: I2C - IMSCR register description: address offset I2CX_BASE_ADDR+0x2C	98
Table 104: I2C - RISR register description: address offset I2CX_BASE_ADDR+0x30	100
Table 105: I2C - MISR register description: address offset I2CX_BASE_ADDR+0x34	103
Table 106: I2C - ICR register description: address offset I2CX_BASE_ADDR+0x38	104
Table 107: I2C - THDDAT register description: address offset I2CX_BASE_ADDR+0x4C	105
Table 108: I2C - THDSTA_FST_STD register description: address offset I2CX_BASE_ADDR+0x50 ..	105
Table 109: I2C - TSUSTA_FST_STD register description: address offset I2CX_BASE_ADDR+0x58 ..	105
Table 110: Flash commands	108
Table 111: Flash interface timing.....	108
Table 112: FLASH controller registers.....	109
Table 113: FLASH – COMMAND register description: address offset FLASH_BASE_ADDR+0x00	109
Table 114: FLASH – CONFIG register description: address offset FLASH_BASE_ADDR+0x04	109
Table 115: FLASH - IRQSTAT register description: address offset FLASH_BASE_ADDR+0x08	109
Table 116: FLASH - IRQMASK register description: address offset FLASH_BASE_ADDR+0x0C	110
Table 117: FLASH - IRQRAW register description: address offset FLASH_BASE_ADDR+0x10	110
Table 118: FLASH – SIZE register description: address offset FLASH_BASE_ADDR+0x14	110
Table 119: FLASH – ADDRESS register description: address offset FLASH_BASE_ADDR+0x18	110
Table 120: FLASH – DATA0 register description: address offset FLASH_BASE_ADDR+0x40.....	111
Table 121: FLASH – DATA1 register description: address offset FLASH_BASE_ADDR+0x44.....	111
Table 122: FLASH – DATA2 register description: address offset FLASH_BASE_ADDR+0x48.....	111
Table 123: FLASH – DATA3 register description: address offset FLASH_BASE_ADDR+0x4C	111
Table 124: IO functional map.....	112
Table 125: GPIO interrupt modes.....	112
Table 126: Pin characteristics.....	113
Table 127: IO pull values	113
Table 128: GPIO registers	114
Table 129: GPIO – DATA register description: address offset GPIO_BASE_ADDR+0x00	115
Table 130: GPIO – OEN register description: address offset GPIO_BASE_ADDR+0x04.....	115
Table 131: GPIO – PE register description: address offset GPIO_BASE_ADDR+0x08.....	115
Table 132: GPIO – DS register description: address offset GPIO_BASE_ADDR+0x0C.....	115
Table 133: GPIO – IS register description: address offset GPIO_BASE_ADDR+0x10	116
Table 134: GPIO – IBE register description: address offset GPIO_BASE_ADDR+0x14.....	116
Table 135: GPIO – IEV register description: address offset GPIO_BASE_ADDR+0x18.....	116
Table 136: GPIO – IE register description: address offset GPIO_BASE_ADDR+0x1C.....	116
Table 137: GPIO – MIS register description: address offset GPIO_BASE_ADDR+0x24	116
Table 138: GPIO – IC register description: address offset GPIO_BASE_ADDR+0x28.....	116
Table 139: GPIO - MODE0 register description: address offset GPIO_BASE_ADDR+0x2C	116
Table 140: GPIO – MODE1 register description: address offset GPIO_BASE_ADDR+0x30.....	117
Table 141: GPIO – DATS register description: address offset GPIO_BASE_ADDR+0x3C	117
Table 142: GPIO – DATC register description: address offset GPIO_BASE_ADDR+0x40.....	118
Table 143: GPIO - MFTX register description: address offset GPIO_BASE_ADDR+0x44.....	118
Table 144: MFT modes.....	119
Table 145: MFT IO functions	127
Table 146: MFT interrupt functions.....	128
Table 147: MFTX registers	129
Table 148: MFTX – TNCNT1 register description: address offset MFTX_BASE_ADDR+0x00.....	129
Table 149: MFTX – TNCRA register description: address offset MFTX_BASE_ADDR+0x04	129
Table 150: MFTX – TNCRB register description: address offset MFTX_BASE_ADDR+0x08	129
Table 151: MFTX – TNCNT2 register description: address offset MFTX_BASE_ADDR+0x0C	129
Table 152: MFTX – TNPRSC register description: address offset MFTX_BASE_ADDR+0x10	129
Table 153: MFTX - TNCKC register description: address offset MFTX_BASE_ADDR+0x14	130

Table 154: MFTX - TNMCTRL register description: address offset MFTX_BASE_ADDR+0x18	130
Table 155: MFTX - TNICTRL register description: address offset MFTX_BASE_ADDR+0x1C	131
Table 156: MFTX - TNICLR register description: address offset MFTX_BASE_ADDR+0x20	131
Table 157: Watchdog interrupt interval	132
Table 158: WDG registers	133
Table 159: WDG - LR register description: address offset WDG_BASE_ADDR+0x00	133
Table 160: WDG - VAL register description: address offset WDG_BASE_ADDR+0x04	133
Table 161: WDG - CR register description: address offset WDG_BASE_ADDR+0x08	134
Table 162: WDG - ICR register description: address offset WDG_BASE_ADDR+0x0C	134
Table 163: WDG - RIS register description: address offset WDG_BASE_ADDR+0x10	134
Table 164: WDG - MIS register description: address offset WDG_BASE_ADDR+0x14	134
Table 165: WDG - LOCK register description: address offset WDG_BASE_ADDR+0xC00	135
Table 166: RTC modes	136
Table 167: RTC registers	138
Table 168: RTC - CWDR register description: address offset RTC_BASE_ADDR+0x00	139
Table 169: RTC - CWDNR register description: address offset RTC_BASE_ADDR+0x04	139
Table 170: RTC - CWDLR register description: address offset RTC_BASE_ADDR+0x08	140
Table 171: RTC - CWYR register description: address offset RTC_BASE_ADDR+0x0C	141
Table 172: RTC - CWYMR register description: address offset RTC_BASE_ADDR+0x10	141
Table 173: RTC - CWYLR register description: address offset RTC_BASE_ADDR+0x14	141
Table 174: RTC - CTCR register description: address offset RTC_BASE_ADDR+0x18	141
Table 175: RTC - IMSC register description: address offset RTC_BASE_ADDR+0x1C	142
Table 176: RTC - RIS register description: address offset RTC_BASE_ADDR+0x20	142
Table 177: RTC - MIS register description: address offset RTC_BASE_ADDR+0x24	143
Table 178: RTC - ICR register description: address offset RTC_BASE_ADDR+0x28	143
Table 179: RTC - TDR register description: address offset RTC_BASE_ADDR+0x2C	143
Table 180: RTC - TCR register description: address offset RTC_BASE_ADDR+0x30	143
Table 181: RTC - TLR1 register description: address offset RTC_BASE_ADDR+0x34	144
Table 182: RTC - TLR2 register description: address offset RTC_BASE_ADDR+0x38	144
Table 183: RTC - TPR1 register description: address offset RTC_BASE_ADDR+0x3C	144
Table 184: RTC - TPR2 register description: address offset RTC_BASE_ADDR+0x40	144
Table 185: RTC - TPR3 register description: address offset RTC_BASE_ADDR+0x44	144
Table 186: RTC - TPR4 register description: address offset RTC_BASE_ADDR+0x48	144
Table 187: RTC - TIN register description: address offset RTC_BASE_ADDR+0x4C	144
Table 188: RNG registers	145
Table 189: RNG - CR register description: address offset RNG_BASE_ADDR+0x00	145
Table 190: RNG - SR register description: address offset RNG_BASE_ADDR+0x04	146
Table 191: RNG - VAL register description: address offset RNG_BASE_ADDR+0x08	146
Table 192: PKA RAM data location	147
Table 193: PKA registers	147
Table 194: PKA - CSR register description: address offset PKA_BASE_ADDR+0x00	148
Table 195: PKA - ISR register description: address offset PKA_BASE_ADDR+0x04	148
Table 196: PKA - IEN register description: address offset PKA_BASE_ADDR+0x08	149
Table 197: SWD port	150
Table 198: Pinout description	154
Table 199: Memory mapping	156
Table 200: External component list	160
Table 201: Absolute maximum ratings	161
Table 202: Thermal data	161
Table 203: Recommended operating conditions	162
Table 204: Electrical characteristics	163
Table 205: Digital I/O specifications	164
Table 206: Peripheral current consumption	164
Table 207: RF general characteristics	165
Table 208: RF transmitter characteristics	165

Table 209: RF receiver characteristics	166
Table 210: High speed crystal oscillator characteristics	167
Table 211: Low speed crystal oscillator characteristics	169
Table 212: High speed ring oscillator characteristics	169
Table 213: Low speed ring oscillator characteristics	169
Table 214: N-Fractional frequency synthesizer characteristics	170
Table 215: Auxiliary block characteristics	170
Table 216: QFN32 (5 x 5 x 1 pitch 0.5 mm) mechanical data	175
Table 217: WLCSP34 (2.66 x 2.56 x 0.5 pitch 0.4 mm) mechanical data	177
Table 218: Flip Chip CSP (2.71 x 2.58 x 0.5 pitch 0.4 mm) package reflow profile recommendation ...	178
Table 219: Ordering information	180
Table 220: Document revision history	181

List of figures

Figure 1: BlueNRG-1 architecture	11
Figure 2: BlueNRG-1 bus architecture.....	12
Figure 3: BlueNRG-1 single chip RF software layers	13
Figure 4: BlueNRG-1 network processor RF software layers.....	14
Figure 5: BlueNRG- power management state machine.....	17
Figure 6: Clock tree.....	21
Figure 7: Reset and wake-up generation.....	23
Figure 8: BlueNRG-1 power-up sequence	24
Figure 9: Reset circuit	24
Figure 10: ADC block diagram.....	31
Figure 11: DMA request mapping in BlueNRG-1	45
Figure 12: MicroWire master and slave communication.....	60
Figure 13: UART character frame.....	69
Figure 14: Hardware flow control between two similar devices.....	71
Figure 15: PWM signal.....	120
Figure 16: MFT mode 1 block diagram.....	121
Figure 17: MFT mode 1a block diagram.....	122
Figure 18: MFT mode 2 block diagram.....	124
Figure 19: MFT mode 3 block diagram.....	125
Figure 20: MFT mode 4 block diagram.....	126
Figure 21: BlueNRG-1 pin-out top view (QFN32).....	152
Figure 22: BlueNRG-1 ball out top view (WCSP34).....	153
Figure 23: BlueNRG-1 ball out bottom view (WCSP34).....	154
Figure 24: Application circuit: active DC-DC converter QFN32 package	158
Figure 25: Application circuit: non-active DC-DC converter QFN32 package.....	158
Figure 26: Application circuit: active DC-DC converter WCSP34 package.....	159
Figure 27: Application circuit: non active DC-DC converter WCSP34 package.....	159
Figure 28: High speed oscillator block diagram.....	168
Figure 29: QFN32 (5 x 5 x 1 pitch 0.5 mm) package outline	174
Figure 30: QFN32 (5 x 5 x 1 pitch 0.5 mm) package detail "A"	175
Figure 31: WLCSP34 (2.66 x 2.56 x 0.5 pitch 0.4 mm) package outline.....	176
Figure 32: Flip Chip CSP (2.71 x 2.58 x 0.5 pitch 0.4 mm) package reflow profile recommendation	178

1 Description

The BlueNRG-1 is a very low power Bluetooth low energy (BLE) single-mode system-on-chip, compliant with Bluetooth specifications.

The BlueNRG-1 extends the features of award-winning BlueNRG network processor, enabling the usage of the embedded Cortex M0 to run the user's application code.

The BlueNRG-1 includes 160 kB of programming Flash memory, 24 kB of static RAM memory with retention (two 12 kB banks) and SPI, UART, I²C standard communication interface peripherals. It also features multifunction timers, watchdog, RTC and DMA controller.

An ADC is available to interface with analog sensors, and to read the measurement of the integrated battery voltage sensor. A digital filter is available to process a PDM stream.

The BlueNRG-1 offers the same excellent RF performance of the BlueNRG radio, and the integrated high efficiency DC-DC converter keeps the same ultra-low power characteristics, but the BlueNRG-1 improves the BlueNRG sleep mode current consumption allowing a further increase in the battery lifetime of the applications.

Figure 1: BlueNRG-1 architecture

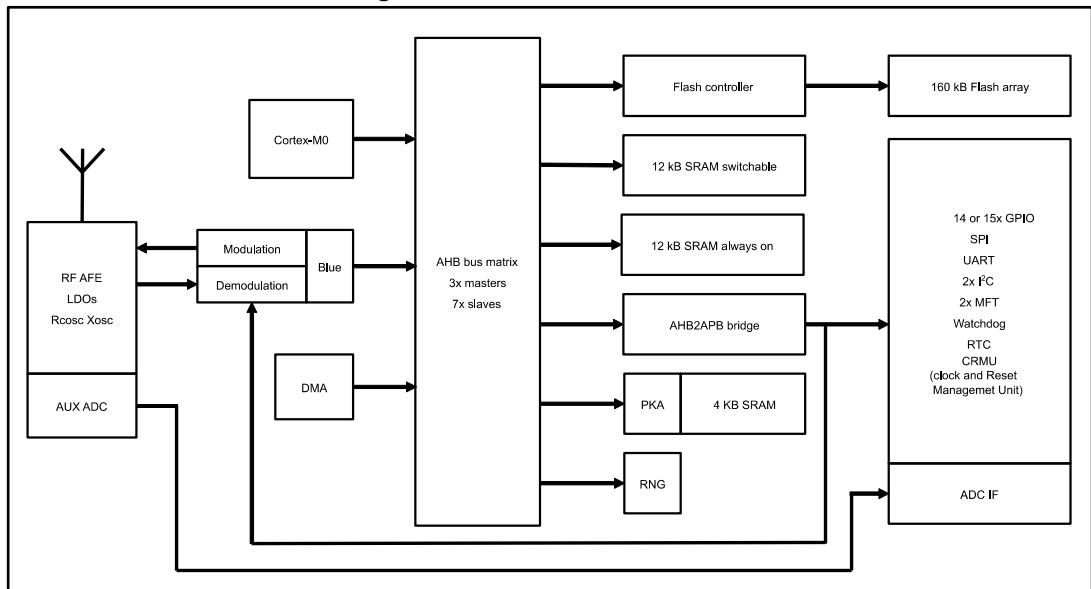
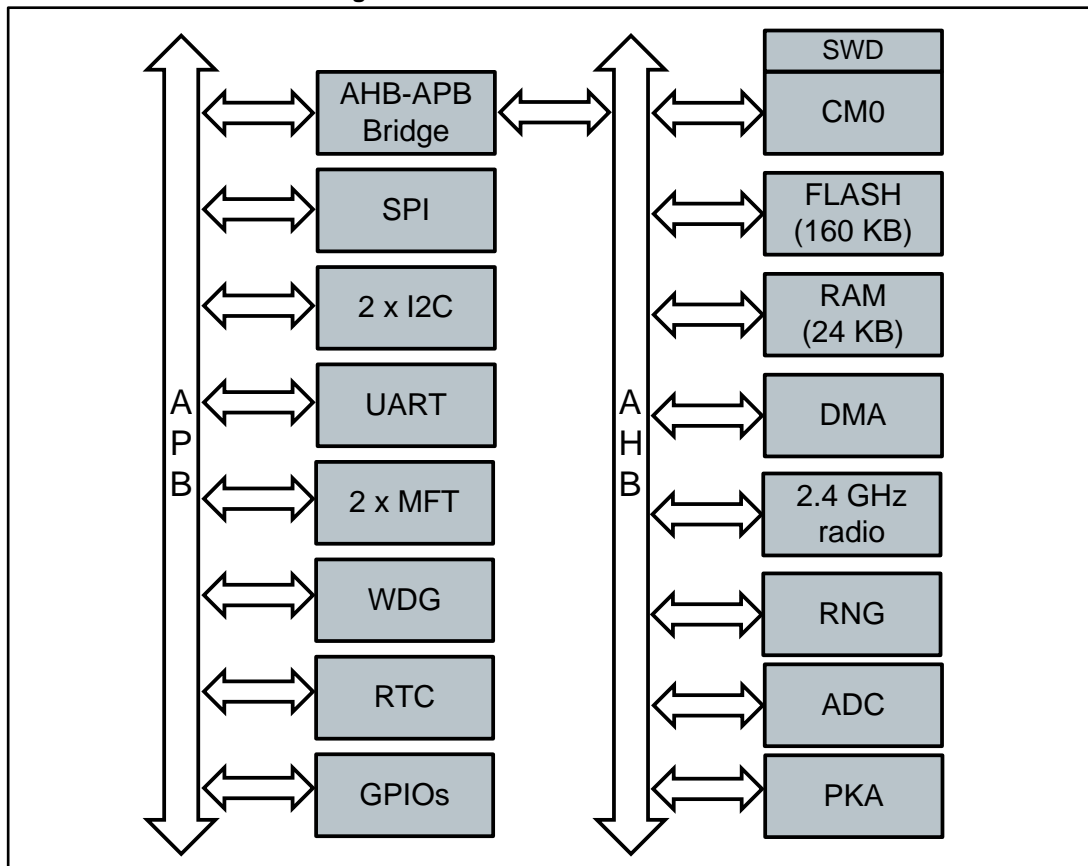


Figure 2: BlueNRG-1 bus architecture



2 BlueNRG-1 Bluetooth low energy stack

The BlueNRG-1 is complemented with a Bluetooth low energy stack C library that provides:

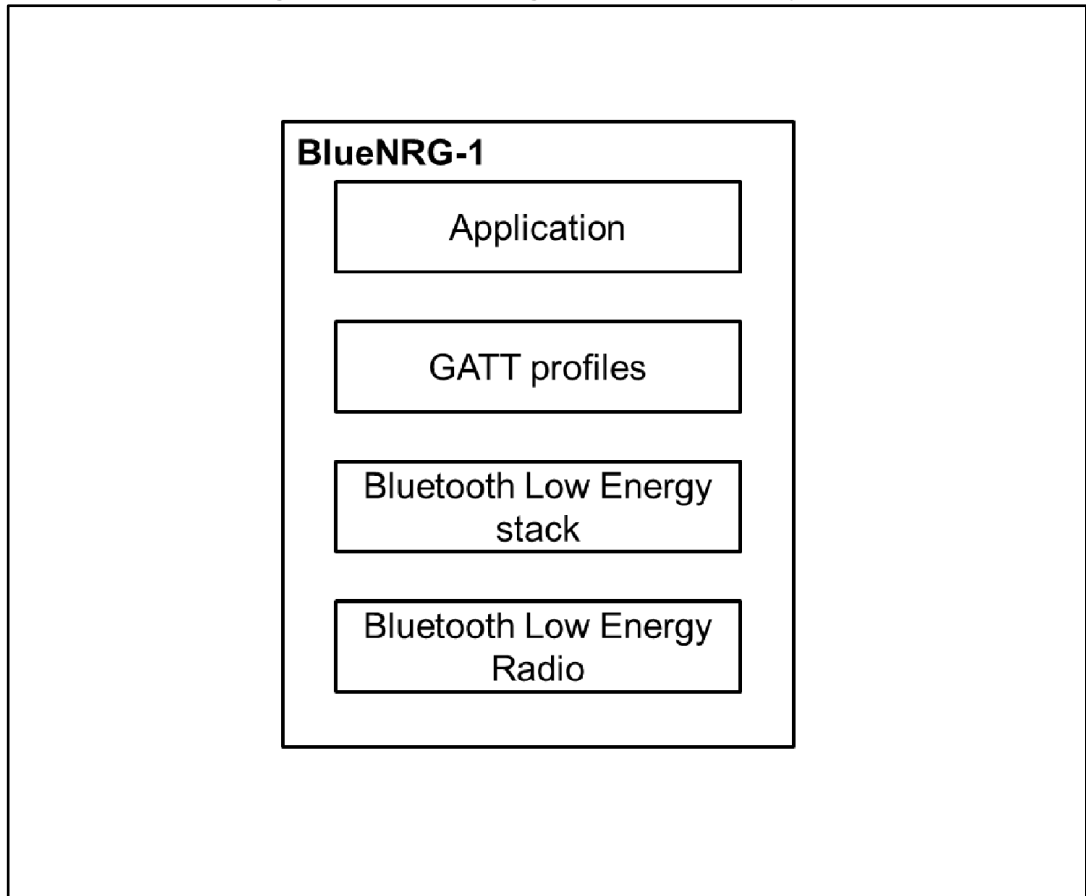
- Master, slave role support
- GAP: central, peripheral, observer or broadcaster roles
- ATT/GATT: client and server
- SM: privacy, authentication and authorization.
- L2CAP
- Link layer: AES-128 encryption and decryption

The BlueNRG-1 can be configured to support single-chip or network processor applications.

In the first configuration, the BlueNRG-1 operates as single device in the application for managing both the application code and the Bluetooth low energy stack. The whole Bluetooth low energy stack is provided as object code in a single library file whereas the GATT low energy profiles are provided as object codes in separate libraries.

Figure 3: "BlueNRG-1 single chip RF software layers" shows the single-chip RF software layers.

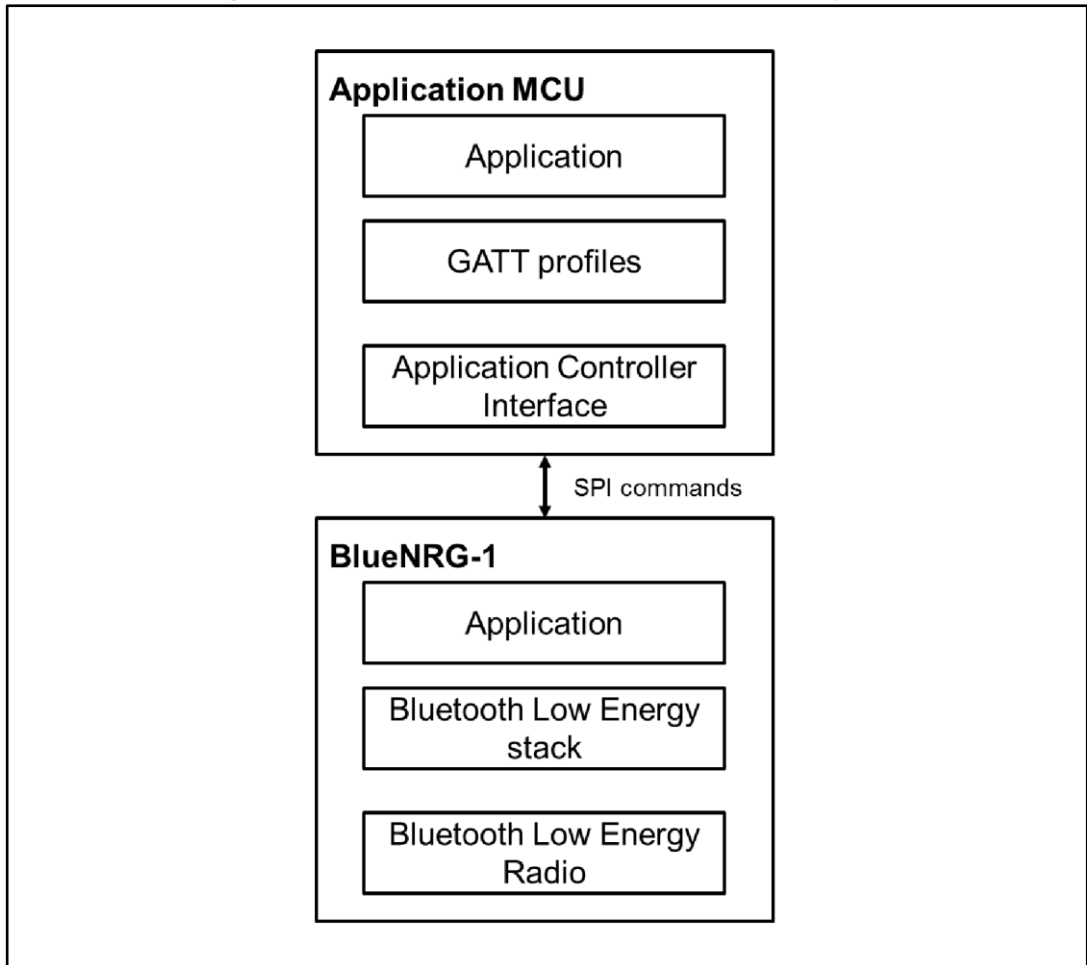
Figure 3: BlueNRG-1 single chip RF software layers



The BlueNRG-1 can be configured for operating as a network coprocessor. In this case a dedicated firmware is provided for supporting the interface with an external application

processor. The whole Bluetooth low energy stack runs in the BlueNRG-1; the GATT profiles are provided for running in the application processor together with the application code. Below figure shows the network processor RF software layers.

Figure 4: BlueNRG-1 network processor RF software layers



3 Functional details

The BlueNRG-1 integrates the blocks listed below:

- Cortex M0 core
- Interrupt management
- 160 kB Flash memory
- 24 kB of RAM with two retention options (12 kB or 24 kB)
- Power management
- Clocks
- Bluetooth low energy radio
- Random number generator (RNG) (it is reserved to Bluetooth low energy protocol stack, but user application can read it)
- Public key cryptography (PKA) (reserved to Bluetooth low energy protocol stack)
- Peripherals:
 - SPI interface
 - UART interface
 - I²C bus interface
 - GPIO
 - Multifunction timer
 - DMA controller
 - Watchdog
 - RTC
 - ADC with battery voltage sensor and temperature sensor
 - PDM stream processor

The main blocks are described in the following subsection.

3.1 Core

The ARM® Cortex®-M0 processor has been developed to provide a low-cost platform that meets the needs of MCU implementation, with a reduced pin count and low-power consumption, while delivering outstanding computational performance and an advanced system response to interrupts.

The ARM® Cortex®-M0 32-bit RISC processor features exceptional code-efficiency, delivering the high-performance expected from an ARM core in the memory size usually associated with 8-bit and 16-bit devices.

The BlueNRG-1 has an embedded ARM core and is therefore compatible with all ARM tools and software.

3.2 Interrupts

The Cortex-M0 nested vector interrupt controller (NVIC) handles interrupts. The NVIC controls specific Cortex-M0 interrupts (address 0x00 to 0x3C) as well as 32-user interrupts (address 0x40 to 0xBC). In the BlueNRG-1 device, the user interrupts are connected to the interrupt signals of the different peripherals.

Table 2: BlueNRG-1 interrupt vectors

Position	Priority	Priority type	Description	Address
			Initial main SP	0x0000_0000
	-3	Fixed	Reset handler	0x0000_0004
	-2	Fixed	NMI handler	0x0000_0008
	-1	Fixed	HardFault handler	0x0000_000C
			RESERVED	0x0000_000C – 0x0000_0028
	3	Settable	SVC handler	0x0000_002C
			RESERVED	0x0000_0030 - 0x0000_0034
	5	Settable	PendSV handler	0x0000_0038
	6	Settable	SystemTick handler	0x0000_003C
0	Init 0	Settable	GPIO interrupt	0x0000_0040
1	Init 0	Settable	FLASH controller interrupt	0x0000_0044
2	Init 0	Settable	RESERVED	0x0000_0048
3	Init 0	Settable	RESERVED	0x0000_004C
4	Init 0	Settable	UART interrupt	0x0000_0050
5	Init 0	Settable	SPI interrupt	0x0000_0054
6	Init 0	CRITICAL	BLE controller interrupt	0x0000_0058
7	Init 0	Settable	Watchdog interrupt	0x0000_005C
8	Init 0	Settable	RESERVED	0x0000_0060
9	Init 0	Settable	RESERVED	0x0000_0064
10	Init 0	Settable	RESERVED	0x0000_0068
11	Init 0	Settable	RESERVED	0x0000_006C
12	Init 0	Settable	RESERVED	0x0000_0070
13	Init 0	Settable	ADC interrupt	0x0000_0074
14	Init 0	Settable	I2C 2 interrupt	0x0000_0078
15	Init 0	Settable	I2C 1 interrupt	0x0000_007C
16	Init 0	Settable	RESERVED	0x0000_0080
17	Init 0	Settable	MFT1 A interrupt	0x0000_0084
18	Init 0	Settable	MFT1 B interrupt	0x0000_0088
19	Init 0	Settable	MFT2 A interrupt	0x0000_008C
20	Init 0	Settable	MFT2 B interrupt	0x0000_0090
21	Init 0	Settable	RTC interrupt	0x0000_0094
22	Init 0	Settable	PKA interrupt	0x0000_0098
23	Init 0	Settable	DMA interrupt	0x0000_009C
24 – 31	Init 0	Settable	RESERVED	0x0000_00A0 – 0x0000_00BC

3.3 Memories

The memory subsystem consists of 160 kB Flash memory and two banks of 12 kB ultra-low leakage static RAM blocks.

The 160 kB Flash memory is available to the user and can be accessed per 32-bit for read access and per 32-bit for write access (with 4x32-bit FIFO).

The access to the static RAM can be as bytes, half words (16 bits) or words (32 bits).

A 12 kB RAM block is always in retention mode, whereas the second 12 kB RAM block is switchable and can be put in retention mode according to the user needs.

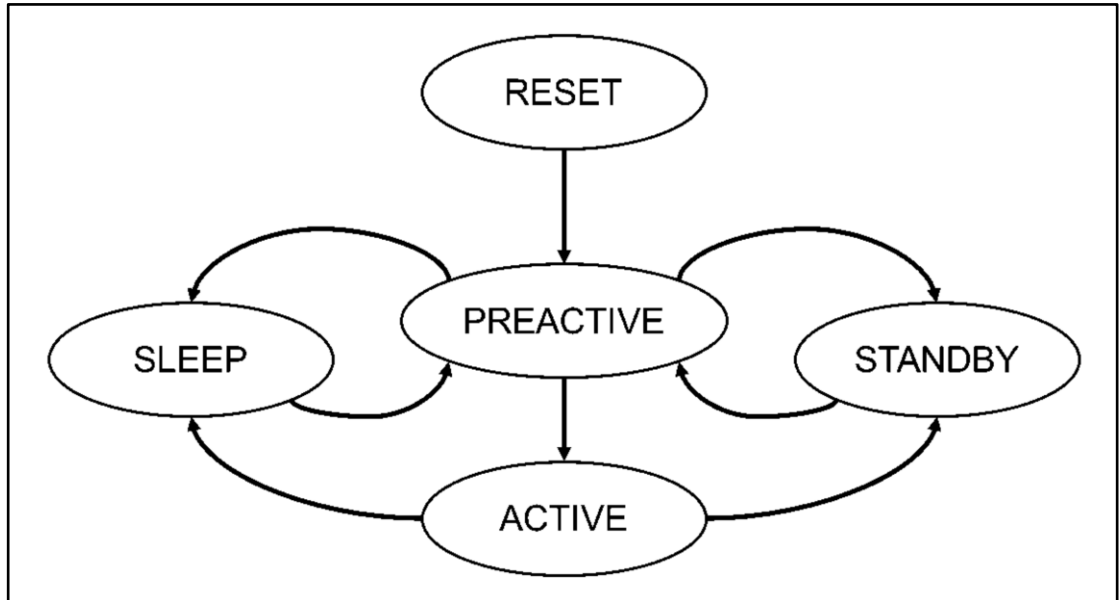
3.4 Power management

The BlueNRG-1 integrates both a low dropout voltage regulator (LDO) and a step-down DC-DC converter to supply the internal BlueNRG-1 circuitry.

The BlueNRG-1 most efficient power management configuration is with DC-DC converter active where best power consumption is obtained without compromising performances. Nevertheless, a configuration based on LDO can also be used, if needed.

A simplified version of the state machine is shown below.

Figure 5: BlueNRG-1 power management state machine



3.4.1 State description

3.4.1.1 Preactive state

The preactive state is the default state after a POR event.

In this state:

- All the digital power supplies are stable.
- The high frequency clock runs on internal fast clock RC oscillator (16 MHz).
- The low frequency clock runs on internal RC oscillator (32.768 kHz).

3.4.1.2 Active state

In this state:

- The high frequency runs on the accurate clock (16 MHz \pm 50 ppm) provided by the external XO. The internal fast clock RO oscillator is switched off.



If the external XO is at 32 MHz, some specific programming are needed, see [Section 3.5.3: "Switching to external clock"](#).

3.4.1.3 Standby state

In this state:

- Only the digital power supplies necessary to keep the RAM in retention are used.

The wake-up from this low power state is driven by the following sources:

- IO9
- IO10
- IO11
- IO12
- IO13^a

If they have been programmed as wake-up source in the system controller registers.

3.4.1.4 Sleep state

In this state:

- Only the digital power supplies necessary to keep the RAM in retention are used.
- The low frequency oscillator is switched on.

The wake-up from this low power state is driven by the following sources:

- IO9
- IO10
- IO11
- IO12
- IO13^a

If they have been programmed as wake-up source in the system controller registers and from the internal timers of the BLE radio.

3.4.1.5 IO wake-up sources

The IOs programmed to be wake-up sources need an external drive according to the selected level sensitivity.

If the wake-up level is high level, a pull-down drive should be used. If the wake-up level is low level, a pull-up drive should be used.

If no external drive is applied, IO9, IO10 and IO11 are only sensitive to low level as they have an internal pull-up (activated by default). IO12 and IO13 do not have an internal pull and therefore require an external drive.

3.4.1.6 Wake up time

The wake-up time is typically 200 μ s at 3.0 V and a temperature of 25°C.

^a Not available on WCSP34.

3.4.2 Power saving strategy

The application power saving strategy is based on clock stopping, dynamic clock gating, digital power supply switch off and analog current consumption minimization.

A summary of functional blocks versus the BlueNRG-1 states is provided below.

Table 3: Relationship between BlueNRG-1 states and functional blocks

Functional blocks	RESET	STANDBY	SLEEP	Preactive	Active	LOCK RX/ LOCK TX	RX	TX
LDO_SOFT_1V2 or LDO_SOFT_0V9	OFF	ON	ON	ON	ON	ON	ON	ON
LDO_STRONG_1V2	OFF	OFF	OFF	ON	ON	ON	ON	ON
LDO_DIG_1V8	OFF	OFF	OFF	ON	ON	ON	ON	ON
SMPS	OFF	OFF	OFF	ON	ON	ON	ON	ON
LDO_DIG_1V2	OFF	OFF	OFF	ON	ON	ON	ON	ON
BOR	OFF	ON	ON	ON	ON	ON	ON	ON
16 MHz RO	OFF	OFF	OFF	ON	OFF	OFF	OFF	OFF
16 MHz XO	OFF	OFF	OFF	OFF	ON	ON	ON	ON
32 kHz RO or XO	OFF	OFF	ON	ON	ON	ON	ON	ON

3.4.3 System controller registers

SYSTEM_CTRL peripheral base address (SYSTEM_CTRL_BASE_ADDR) 0x40200000.

Table 4: SYSTEM_CTRL registers

Address offset	Name	RW	Reset	Description
0x00	WKP_IO_IS	RW	0x00000000	Level selection for wake-up IO (1 bit for IO). 0: The system wakes up when IO is low. 1: The system wakes up when IO is high.
0x04	WKP_IO_IE	RW	0x00000007	Enables the IO that wakes up the device (1 bit for IO). 0: The wake-up feature on the IO is disabled. 1: The wake-up feature on the IO is enabled.
0x08	CTRL	RW	0x00000000	XO frequency indication is provided by the application. Refer to the detailed description below.

**Table 5: SYSTEM_CTRL - WKP_IO_IS register description: address offset
SYSTEM_CTRL_BASE_ADDR+0x00**

Bit	Field name	Reset	RW	Description
4:0	LEVEL_SEL	0x00	RW	Selects the active wake-up level for the five IOs. 0: The system wakes up when IO is low. 1: The system wakes up when IO is high. One bit by IO: Bit0: IO9 Bit1: IO10 Bit2: IO11 Bit3: IO12 Bit4: IO13
31:5	RESERVED	0x00	RW	RESERVED

**Table 6: SYSTEM_CTRL - WKP_IO_IE register description: address offset
SYSTEM_CTRL_BASE_ADDR+0x04**

Bit	Field name	Reset	RW	Description
4:0	IO_WAKEUP_EN	0x07	RW	Enables the IOs to be wake-up source. 0: Wake up on the IO disabled. 1: Wake up on the IO enabled. One bit by IO: Bit0: IO9 Bit1: IO10 Bit2: IO11 Bit3: IO12 Bit4: IO13
31:5	RESERVED	0x00	RW	RESERVED

**Table 7: SYSTEM_CTRL - CTRL register description: address offset
SYSTEM_CTRL_BASE_ADDR+0x08**

Bit	Field name	Reset	RW	Description
0	MHZ32_SEL	0x0	RW	Indicates the crystal frequency used in the application. 0: The 16 MHz is selected. 1: The 32 MHz is selected.
31:1	RESERVED	0x0	RW	RESERVED

AHBUPCONV peripheral base address (AHBUPCONV_BASE_ADDR) 0x40C00000.

Table 8: AHBUPCONV registers

Address offset	Name	RW	Reset	Description
0x00	COMMAND	RW	0x00000000	AHB up/down converter command register

BLUE_CTRL peripheral base address (BLUE_CTRL_BASE_ADDR) 0x48000000.

Table 9: BLUE_CTRL registers

Address offset	Name	RW	Reset	Description
0x04	TIMEOUT	RW	0x00000000	Timeout programming register
0x0C	RADIO_CONFIG	RW	0x00000000	Radio configuration register



All RESERVED fields inside registers must always be written with their default value.

3.5 Clocks and reset management

The BlueNRG-1 embeds an RC low-speed frequency oscillator at 32 kHz and an RO high-speed frequency oscillator at 16 MHz.

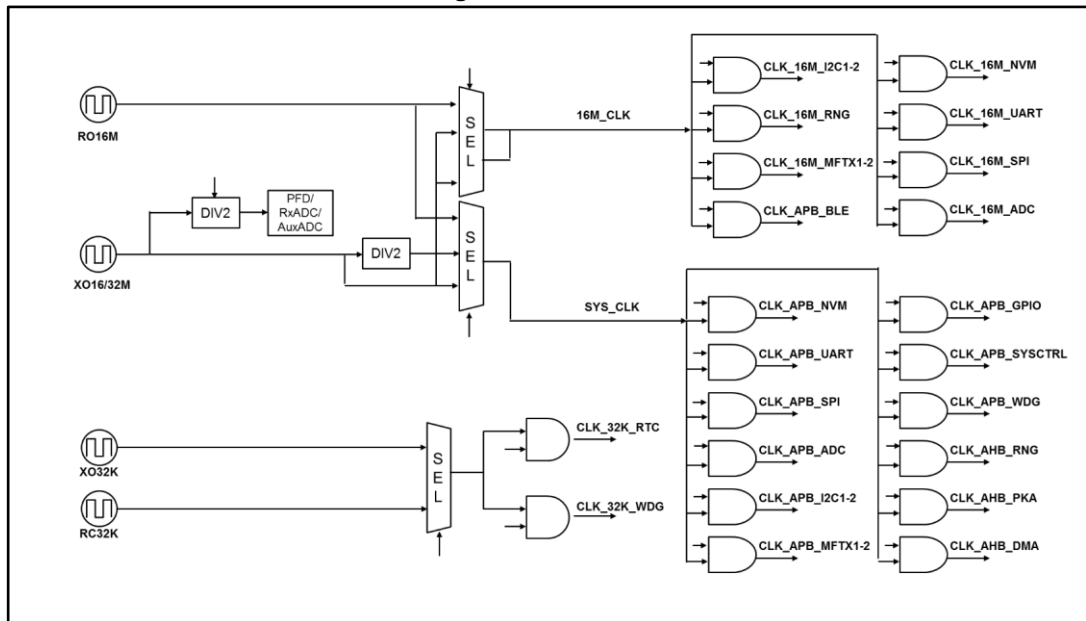
The low-frequency clock is used in low power mode and can be supplied either by a 32.7 kHz oscillator that uses an external crystal and guarantees up to ±50 ppm frequency tolerance, or by a ring oscillator with maximum ±500 ppm frequency tolerance, which does not require any external components.

The primary high-speed frequency clock is a 16 MHz or 32 MHz crystal oscillator. A fast-starting 16 MHz ring oscillator provides the clock while the crystal oscillator is starting up. Frequency tolerance of high-speed crystal oscillator is ±50 ppm.

The usage of the 16 MHz^a (or 32 MHz) crystal is strictly necessary for RF communications.

The clock tree for the peripherals is as follows:

Figure 6: Clock tree



^a For constraints related to the 16 MHz high-speed crystal usage, refer to the BlueNRG-1 DK SW release notes.



When 32 MHz XO is used, the Cortex-M0, the DMA and the APB tree (except for BLE radio access) run at 32 MHz. The rest of the clock tree is divided by two and is at 16 MHz.

The following clocks can be enabled/disabled by software to implement optimal power consumption:

- DMA
- BLE controller
- BLE clock generator
- RNG
- Flash controller
- GPIO
- System controller
- UART
- SPI
- I2C1^a
- I2C2
- ADC
- MFT1
- MFT2
- RTC
- WDG
- PKA

By default, all the peripheral APB and AHB clocks are enabled, except for the PKA peripheral. The following clocks are enabled/disabled automatically:

- Processor clock (disabled in sleep mode)
- RAM clock (disabled if processor clock, SPI clock and BLE clock are all disabled)

3.5.1 Reset management

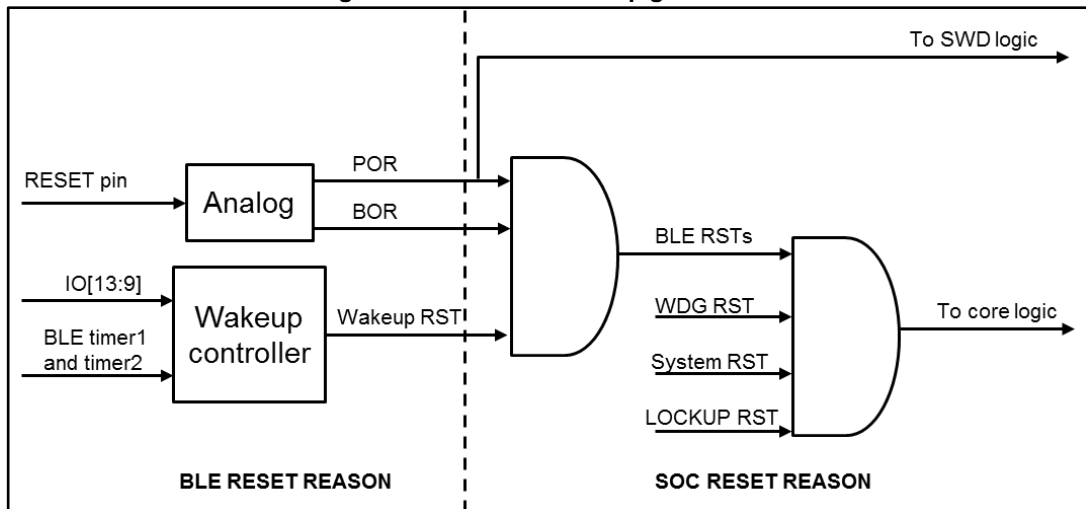
Figure 7: "Reset and wake-up generation" shows the general principle of reset. Releasing the Reset pin puts the chip out of shutdown state. The wakeup logic is powered and receives the POR. Each time the wake-up controller decides to exit sleep or standby modes, it will generate a reset for the core logic. The core logic can also be reset by:

- Watchdog
- Reset request from the processor (system reset)
- LOCKUP state of the Cortex-M0

The SWD logic is reset by the POR. It is important to highlight that reset pin actually power down chip, so it is not possible to perform debug access with system under reset.

^a The I²C1 is not available in WLCSP34 package.

Figure 7: Reset and wake-up generation



If, for any reason, the users would like to power off the device there are two options:

1. Force RESETN pin to ground, keeping VBAT level
2. To put VBAT pins to ground (e.g. via a transistor)

In the second option, care must be taken to ensure that no voltage is applied to any of the other pins since device can be powered and having an anomalous power consumption. ST recommendation is to use RESETN whenever it is possible.

3.5.1.1 Power-on-Reset

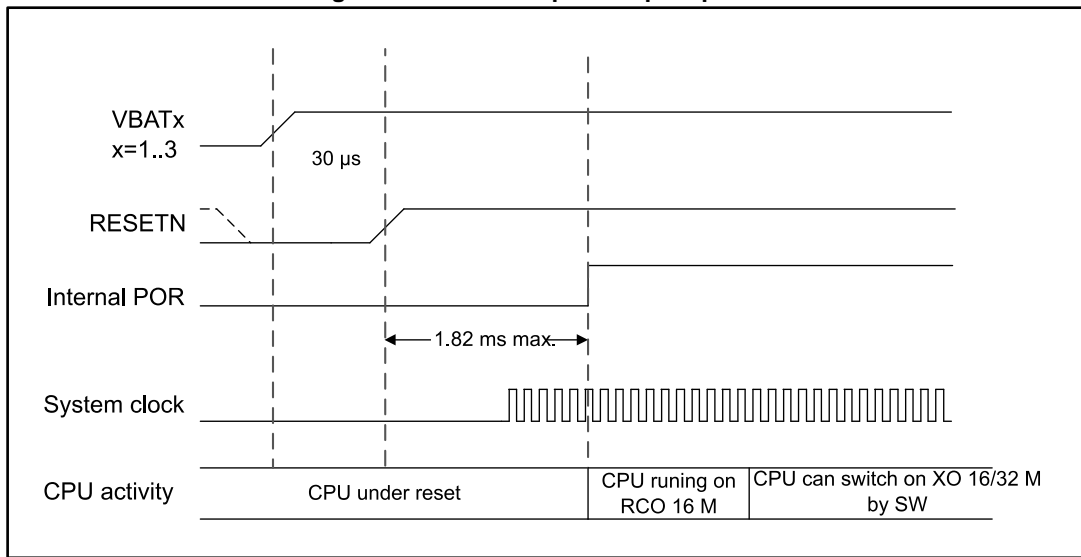
The Power-on-Reset (POR) signal is the combination of the POR signal and the BOR signal generated by the analog circuitry contained in the BlueNRG-1 device. The combination of these signals is used to generate the input to the Cortex-M0, which is used to reset the debug access port (DAP) of the processor. It is also used to generate the signal, which resets the debug logic of the Cortex-M0. The POR signal also resets the TAP controller of the BlueNRG-1 and a part of the Flash controller (managing the Flash memory boot, which does not need to be impacted by system resets).

The BOR is disabled by default, see the BlueNRG-1, BlueNRG-2 BLE stack programming guidelines (PM0257) to enable it.

3.5.1.2 Power-on-sequence

The starting sequence of the BlueNRG-1 supply and reset signal is shown below.

Figure 8: BlueNRG-1 power-up sequence

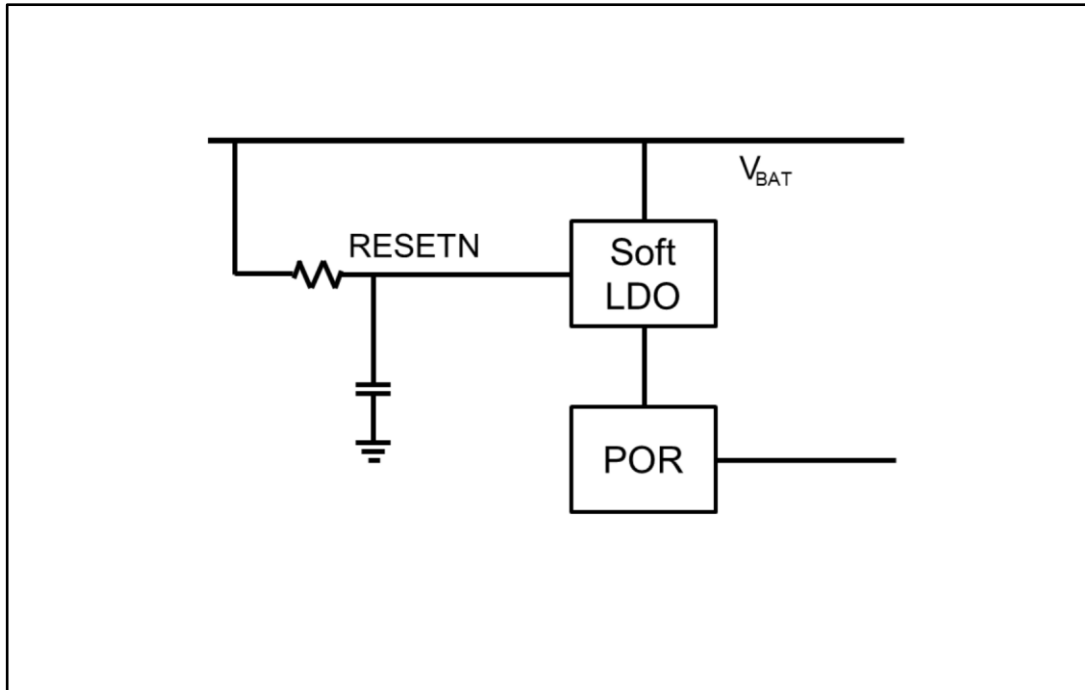


- The VBATx power must only be raised when RESETN pin is driven low.
- The different VBATx (x=1..3) power can be raised separately or together.
- The internal POR is released once internal LDOs are established and RCO clock is ready.
- The system starts on RCO 16 MHz clock system. The software is responsible for configuring the XO 16/32 MHz when necessary.

Note that: the minimum negative pulse to reset the system must be at least 30 μs.

The POR circuit is powered by a 1.2 V regulator, which must also be powered up with the correct startup sequence. Before VBAT has reached the nominal value, RESETN line must be kept low. An external RC circuit on RESETN pin will add a delay that can prevent RESETN signal from going high before VBAT has reached the nominal value.

Figure 9: Reset circuit



If the above conditions are not satisfied, ST cannot guarantee the correct operation of the device.

3.5.1.3 Watchdog reset

The BlueNRG-1 contains a watchdog timer, which may be used to recover from software crashes. The watchdog contains a 32-bit down counter, which generates an interrupt, if the interrupt is not serviced, the watchdog will generate a reset. The watchdog reset resets the Flash controller, the Cortex-M0 and all its peripherals but it does not reset the debug circuitry of the Cortex-M0.

3.5.1.4 System reset request

The system reset request is generated by the debug circuitry of the Cortex-M0. The debugger writes to the SYSRESETREQ bit of the “application interrupt and reset control register” (AIRCR). This system reset request through AIRCR register can also be done by embedded software. The system reset request does not affect the debugger, thus allowing the debugger to remain connected during the reset sequence.

3.5.1.5 Lock-up reset

The Cortex-M0 generates an output LOCKUP that indicates that the core is in a deliberate lock-up state resulting from an unrecoverable exception. The LOCKUP signal is used to generate a reset in the BlueNRG-1, which affects the Cortex-M0, the Flash controller and all the peripherals.

The LOCKUP signal does not reset the Cortex-M0 debug circuitry and it is not generated if a debugger is connected.

3.5.2 Reset and wake-up reason decoding

The BlueNRG-1 provides a set of registers to identify the reason behind a reset and wakeup generation. Two registers are used: CKGEN_SOC->REASON_RST and CKGEN_BLE->REASON_RST. The possible reasons are listed below:

1. If the register CKGEN_SOC->REASON_RST = 0, according to the CKGEN_BLE->REASON_RST the possible reasons are:
 - a. Wake-up from IO9, IO10, IO11, IO12, IO13.
 - b. Wake-up from internal timer: BLE timer 1 or BLE timer 2.
 - c. POR or BOR
2. If the register CKGEN_SOC->REASON_RST is not 0, according to its value the possible reasons are:
 - a. System reset
 - b. Watchdog reset
 - c. Lockup reset.

3.5.3 Switching to external clock

When the system is in preactive state (run from internal RO 16 MHz), the software sequence to switch to active should include switch to external XO.

When the system uses an external XO at 32 MHz instead of 16 MHz, the following steps need to be performed:

1. Set the bitfield MHZ32_SEL of register SYSTEM_CTRL for the digital part.
2. In the preactive state, inform the analog part of the external XO 32 MHz and send the request to switch to ACTIVE2 state:


```
uint8_t config[] = { 0x02, 0x3A, 0x44, 0x02, 0x34, 0x1B, 0x00};
BLUE_CTRL->RADIO_CONFIG = 0x10000 | (uint16_t) ( (uint32_t)config &
```

- ```
0x0000FFFF);
while((BLUE_CTRL->RADIO_CONFIG & 0x10000) != 0);
```
- Wait until the state machine is in the active state by using the following routine:

```
while(CKGEN_BLE->CLK32K_IT == 0);
CKGEN_BLE->CLK32K_IT = 1;
CKGEN_BLE->CLK32K_COUNT = 23;
CKGEN_BLE->CLK32K_PERIOD = 0;
```
  - Only after switching to the active state, write 0x15 in the COMMAND register of the AHBUPCONV peripheral.

Around 10 system clock cycles after this last write, the system will run at 32 MHz except for specific blocks requiring a fixed 16 MHz.



The application can make the bus and the core run at 16 MHz by writing 0x14 in the COMMAND register of AHBUPCONV peripheral.

### 3.5.4 Clock and reset registers

CKGEN\_SOC peripheral base address (CKGEN\_SOC\_BASE\_ADDR) 0x40900000.

Table 10: CKGEN\_SOC registers

| Address offset | Name                  | RW | Reset      | Description                                                                               |
|----------------|-----------------------|----|------------|-------------------------------------------------------------------------------------------|
| 0x08           | REASON_RST            | R  | 0x00000000 | Indicates the reset reason from Cortex-M0. Refer to the detailed description below        |
| 0x1C           | DIE_ID <sup>(1)</sup> | R  | 0x00000111 | Identification information of the device. Refer to the detailed description below         |
| 0x20           | CLOCK_EN              | RW | 0x0003FFFF | Enable or gates the APB clock of the peripherals. Refer to the detailed description below |
| 0x24           | DMA_CONFIG            | RW | 0x00000000 | DMA config. Refer to the detailed description below                                       |

**Notes:**

<sup>(1)</sup>It depends on cut version.

Table 11: CKGEN\_SOC - REASON\_RST register description: address offset CKGEN\_SOC\_BASE\_ADDR+0x08

| Bit  | Field name | Reset | RW | Description                                           |
|------|------------|-------|----|-------------------------------------------------------|
| 0    | RESERVED   | 0x0   | R  | RESERVED                                              |
| 1    | SYSREQ     | 0x0   | R  | Reset caused by Cortex-M0 debug asserting SYSRESETREQ |
| 2    | WDG        | 0x0   | R  | Reset caused by assertion of watchdog reset           |
| 3    | LOCKUP     | 0x0   | R  | Reset caused by Cortex-M0 asserting LOCKUP signal     |
| 31:4 | RESERVED   | 0x0   | R  | RESERVED                                              |

**Table 12: CKGEN\_SOC - DIE\_ID register description: address offset  
CKGEN\_SOC\_BASE\_ADDR+0x1C**

| Bit   | Field name | Reset | RW | Description  |
|-------|------------|-------|----|--------------|
| 3:0   | REV        | 0x1   | R  | Cut revision |
| 7:4   | VERSION    | 0x01  | R  | Cut version  |
| 11:8  | PRODUCT    | 0x01  | R  | Product      |
| 31:12 | RESERVED   | 0x0   | R  | RESERVED     |

**Table 13: CKGEN\_SOC - CLOCK\_EN register description: address offset  
CKGEN\_SOC\_BASE\_ADDR+0x20**

| Bit   | Field name | Reset | RW | Description             |
|-------|------------|-------|----|-------------------------|
| 0     | GPIO       | 0x1   | RW | GPIO clock              |
| 1     | NVM        | 0x1   | RW | Flash controller clock  |
| 2     | SYSCTRL    | 0x1   | RW | System controller clock |
| 3     | UART       | 0x1   | RW | UART clock              |
| 4     | SPI        | 0x1   | RW | SPI clock               |
| 6:5   | RESERVED   | 0x3   | RW | RESERVED                |
| 7     | WDOG       | 0x1   | RW | Watchdog clock          |
| 8     | ADC        | 0x1   | RW | ADC clock               |
| 9     | I2C1       | 0x1   | RW | I2C1 clock              |
| 10    | I2C2       | 0x1   | RW | I2C2 clock              |
| 11    | MFT1       | 0x1   | RW | MFT1 clock              |
| 12    | MFT2       | 0x1   | RW | MFT2 clock              |
| 13    | RTC        | 0x1   | RW | RTC clock               |
| 15:14 | RESERVED   | 0x3   | RW | RESERVED                |
| 16    | DMA        | 0x1   | RW | DMA AHB clock           |
| 17    | RNG        | 0x1   | RW | RNG AHB clock           |
| 18    | PKA        | 0x0   | RW | PKA AHB clock           |
| 19    | PKA RAM    | 0x0   | RW | PKA RAM clock           |
| 31:20 | RESERVED   | 0x0   | RW | RESERVED                |

**Table 14: CKGEN\_SOC - DMA\_CONFIG register description: address offset  
CKGEN\_SOC\_BASE\_ADDR+0x24**

| Bit | Field name | Reset | RW | Description                                       |
|-----|------------|-------|----|---------------------------------------------------|
| 0   | ADC_CH0    | 0x0   | RW | Select ADC on DMA channel 0 instead of peripheral |
| 1   | ADC_CH1    | 0x0   | RW | Select ADC on DMA channel 1 instead of peripheral |
| 2   | ADC_CH2    | 0x0   | RW | Select ADC on DMA channel 2 instead of peripheral |

| Bit  | Field name | Reset | RW | Description                                       |
|------|------------|-------|----|---------------------------------------------------|
| 3    | ADC_CH3    | 0x0   | RW | Select ADC on DMA channel 3 instead of peripheral |
| 4    | ADC_CH4    | 0x0   | RW | Select ADC on DMA channel 4 instead of peripheral |
| 5    | ADC_CH5    | 0x0   | RW | Select ADC on DMA channel 5 instead of peripheral |
| 6    | ADC_CH6    | 0x0   | RW | Select ADC on DMA channel 6 instead of peripheral |
| 7    | ADC_CH7    | 0x0   | RW | Select ADC on DMA channel 7 instead of peripheral |
| 31:8 | RESERVED   | 0x0   | RW | RESERVED                                          |



Only one DMA channel for the ADC should be selected at time. Hardware does not prevent to select more than one DMA channel for ADC.

CKGEN\_BLE peripheral base address (CKGEN\_BLE\_BASE\_ADDR) 0x48100000.

**Table 15: CKGEN\_BLE registers**

| Address offset | Name          | RW | Reset      | Description                                                                           |
|----------------|---------------|----|------------|---------------------------------------------------------------------------------------|
| 0x08           | REASON_RST    | R  | 0x00000005 | Indicates the reset reason from BLE. Refer to the detailed description below          |
| 0x0C           | CLK32K_COUNT  | RW | 0x0000000F | Counter of 32 kHz clock. Refer to the detailed description below                      |
| 0x10           | CLK32K_PERIOD | R  | 0x00000000 | Period of 32 kHz clock. Refer to the detailed description below                       |
| 0x14           | CLK32K_FREQ   | R  | 0x00000000 | Measurement of frequency of 32 kHz clock. Refer to the detailed description below     |
| 0x18           | CLK32K_IT     | RW | 0x00000000 | Interrupt event for 32 kHz clock measurement. Refer to the detailed description below |

**Table 16: CKGEN\_BLE - REASON\_RST register description: address offset  
CKGEN\_BLE\_BASE\_ADDR+0x08**

| Bit   | Field name | Reset | RW | Description                                                                             |
|-------|------------|-------|----|-----------------------------------------------------------------------------------------|
| 0     | RESERVED   | 0x1   | R  | RESERVED                                                                                |
| 1     | BOR        | 0x0   | R  | Reset from BOR                                                                          |
| 2     | POR        | 0x1   | R  | Reset from POR                                                                          |
| 3     | WKP_IO9    | 0x0   | R  | Wake-up from external IO9                                                               |
| 4     | WKP_IO10   | 0x0   | R  | Wake-up from external IO10                                                              |
| 5     | WKP_IO11   | 0x0   | R  | Wake-up from external IO11                                                              |
| 6     | WKP_IO12   | 0x0   | R  | Wake-up from external IO12                                                              |
| 7     | WKP_IO13   | 0x0   | R  | Wake-up from external IO13                                                              |
| 8     | WKP_BLUE   | 0x0   | R  | Wake-up comes from the timer 1 expiration in the wake-up control block of the BLE radio |
| 10    | WKP2_BLUE  | 0x0   | R  | Wake-up comes from the timer 2 expiration in the wake-up control block of the BLE radio |
| 31:11 | RESERVED   | 0x0   | R  | RESERVED                                                                                |

**Table 17: CKGEN\_BLE - CLK32K\_COUNT register description: address offset  
CKGEN\_BLE\_BASE\_ADDR+0x0C**

| Bit  | Field name | Reset | RW | Description                                                                      |
|------|------------|-------|----|----------------------------------------------------------------------------------|
| 8:0  | SLOW_COUNT | 0xF   | RW | Program the window length (in slow clock period unit) for slow clock measurement |
| 31:9 | RESERVED   | 0x0   | RW | RESERVED                                                                         |

**Table 18: CKGEN\_BLE - CLK32K\_PERIOD register description: address offset  
CKGEN\_BLE\_BASE\_ADDR+0x10**

| Bit   | Field name  | Reset | RW | Description                                                                                                                                                                                                                                                                                                                                                                                                                                                  |
|-------|-------------|-------|----|--------------------------------------------------------------------------------------------------------------------------------------------------------------------------------------------------------------------------------------------------------------------------------------------------------------------------------------------------------------------------------------------------------------------------------------------------------------|
| 18:0  | SLOW_PERIOD | 0x0   | R  | Indicates slow clock period information. The result provided in this field corresponds to the length of SLOW_COUNT periods of the slow clock (32 kHz) measured in 16 MHz half-period unit. The measurement is done automatically each time the device enters in active2 mode using SLOW_COUNT = 16. A new calculation can be launched by writing zero in CLK32K_PERIOD register. In this case, the time window uses the value programmed in SLOW_COUNT field |
| 31:19 | RESERVED    | 0x0   | R  | RESERVED                                                                                                                                                                                                                                                                                                                                                                                                                                                     |

**Table 19: CKGEN\_BLE - CLK32K\_FREQ register description: address offset  
CKGEN\_BLE\_BASE\_ADDR+0x14**

| Bit   | Field name | Reset | RW | Description                           |
|-------|------------|-------|----|---------------------------------------|
| 26:0  | SLOW_FREQ  | 0x0   | R  | Value equal to $2^{39}$ / SLOW_PERIOD |
| 31:27 | RESERVED   | 0x0   | R  | RESERVED                              |

**Table 20: CKGEN\_BLE - CLK32K\_IT register description: address offset  
CKGEN\_BLE\_BASE\_ADDR+0x18**

| Bit  | Field name      | Reset | RW | Description                                                                                                                                                                                                                            |
|------|-----------------|-------|----|----------------------------------------------------------------------------------------------------------------------------------------------------------------------------------------------------------------------------------------|
| 0    | CLK32K_MEAS_IRQ | 0x0   | RW | When read, provides the status of the interrupt indicating slow clock measurement is finished:<br>0: No pending interrupt.<br>1: Pending interrupt.<br>When written, clears the interrupt:<br>0: No effect.<br>1: Clear the interrupt. |
| 31:1 | RESERVED        | 0x0   | RW | RESERVED                                                                                                                                                                                                                               |



All RESERVED fields inside registers must always be written with their default value.

## 3.6 ADC

### 3.6.1 Introduction

The BlueNRG-1 integrates a 10-bit analog-to-digital converter (ADC) for sampling an external signal.

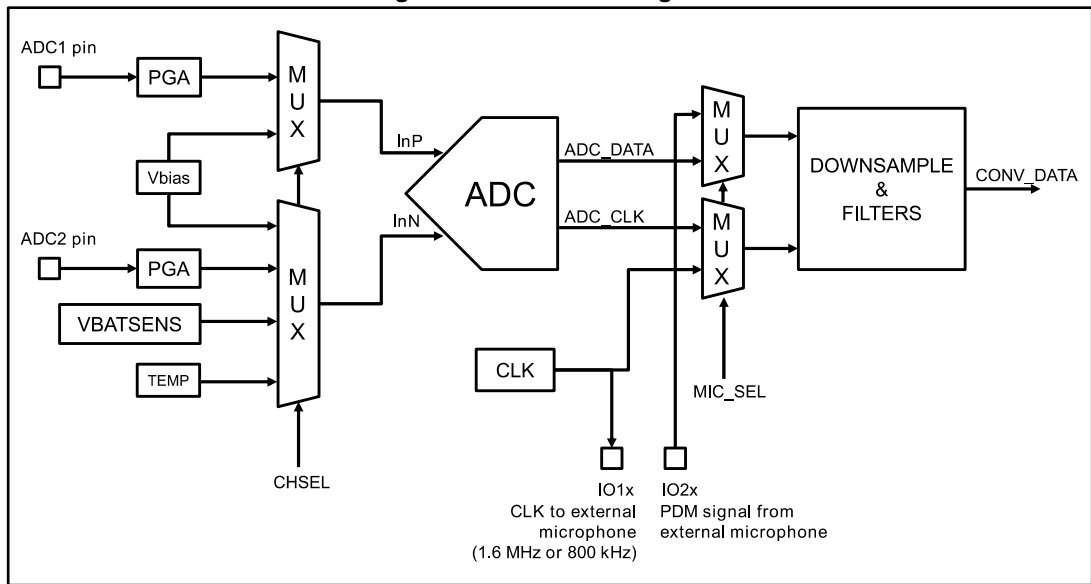
Main features are:

- Sampling frequency 1 MHz
- One channel in single ended or differential input through the pins ADC1 and ADC2
- Temperature and battery voltage sensors
- The conversion are either continuous or single step acquisition
- An integrated digital filter is used to process a PDM data stream from a MEMS microphone

### 3.6.2 Functional overview

The figure below shows a top diagram of the ADC.

Figure 10: ADC block diagram



Several channels are available for the conversion, the CHSEL selects the channel according to [Table 21: "ADC channels"](#).

Table 21: ADC channels

| CHSEL | Channels description                                                  |
|-------|-----------------------------------------------------------------------|
| 0     | All switch open. No input                                             |
| 1     | Single ended through ADC2 pin. InP = Vbias (internal), InN = ADC2 pin |
| 2     | Single ended through ADC1 pin. InP = ADC1 pin, InN = Vbias (internal) |
| 3     | Differential ADC1 pin – ADC2 pin. InP = ADC1 pin, InN = ADC2 pin      |
| 4     | Temperature sensor. InN=TEMP, InP = 0.6 V (internal)                  |
| 5     | Battery voltage sensor. InN = VBATSSENS, InP = 0.6 V (internal)       |
| 6     | Short. InP = InN = 0.6 V (internal)                                   |

The conversion can be single (CONT = 0) or continuous (CONT = 1). In continuous mode, the conversion runs with a pre-programmed sampling rate, while in single step mode the ADC performs a conversion and then stops.

The output data rate depends on the setting of OSR according to the following table.

Table 22: ADC data rate

| OSR     | Output data rate [Ksample/s] |
|---------|------------------------------|
| 0 (200) | 5                            |
| 1 (100) | 10                           |
| 2 (64)  | 15.625                       |
| 3 (32)  | 31.25                        |

The setting of the oversampling ratio (OSR) must be done according to the frequency of the input signal (AC), while for DC signals, the best performance is with OSR = 200. In order to achieve the best performance within the selected input voltage range, the

attenuation value must be set through the corresponding register PGASEL value, as in the following table.

**Table 23: ADC parameter settings**

| Vin range [V] | Vbias [V] | Attenuation [dB] | REFSEL value | PGASEL value |
|---------------|-----------|------------------|--------------|--------------|
| [0, 1.2]      | 0.6       | 0                | 2            | 0            |
| [0, 2.4]      | 0.6       | 6.02             | 2            | 1            |
| [0, 3.6]      | 0.6       | 9.54             | 2            | 2            |

The system can work in conjunction with an external MEMS microphone by setting MIC\_SEL. In this mode, an IO configured as PDM\_CLK provides the clock to the external microphone, while an IO configured as PDM\_DATA received the PDM stream from the external microphone. The external clock is 1.6 MHz (DIG\_FILT\_CLK = 0) or 0.8 MHz (DIG\_FILT\_CLK = 1).

The output data rate changes with the OSR according to [Table 24: "Output data rate with microphone"](#).

**Table 24: Output data rate with microphone**

| DIG_FILT_CLK        | OSR     | Output data rate [Ksample/s] |
|---------------------|---------|------------------------------|
| 1 (clock = 0.8 MHz) | 0 (200) | 4                            |
|                     | 1 (100) | 8                            |
|                     | 2 (64)  | 12.5                         |
|                     | 3 (32)  | 25                           |
| 0 (clock = 1.6 MHz) | 0 (200) | 8                            |
|                     | 1 (100) | 16                           |
|                     | 2 (64)  | 25                           |
|                     | 3 (32)  | 50                           |

### 3.6.2.1 ADC start conversion

The ADC both analog and digital sub-system are switched on by setting ADCON and SWSTART.

The conversion operation consists of four phases.

1. The wake-up phase lasts 6  $\mu$ s, is present at the beginning of a single acquisition, with the goal to let the analog system to settle before to start the acquisition.
2. If the CALEN is set, a calibration phase is performed. It permits to compensate the offset in the analog part. The conversion status is tracked by SR status register. At the beginning of the conversion the BUSY bit is set and masks any attempt to change CONF, up to the end of the conversion. At end of this conversion, the ENDCAL flag is generated and the OFFSET register is written with the converted offset voltage.
3. The acquisition phase is regulated by a timeout depending on the resolution. In this phase, digital filter chain processes the data coming from ADC.
4. The elaboration phase is at the end of the timeout, the data obtained at the output of the digital filter is written in the DATA register. If the calibration is on, the output of the digital filter is de-embedded considering the content of the OFFSET register. Furthermore, the ADCEOC flag is generated to warn about the end of conversion. If ENAB\_COMP bit is set, the WDOG flag is generated to warn that the result of the conversion is between a high THRESHOLD\_HI and low threshold THRESHOLD\_LO.





It is always advisable to set the register field CALEN in order to perform automatic calibration for each measurement.

### 3.6.2.2 ADC offset

The ADC can automatically correct the offset error.

To enable the automatic offset correction the CALEN and the OFFSET\_UPDATE must be set. The result of the last calibration is stored in the OFFSET register.

The correction of the offset can be also done manually, for example by making a conversion of the internal channel InP = InN = 0.6 V and after that, writing the result of conversion in the OFFSET register.

### 3.6.2.3 ADC conversion

The relationship between differential input voltage and ADC<sub>RAW</sub> code (first 16-bit MSB of ADC\_CONV register) depends on a limited set of parameters: the digital reference voltage VREF, the PGA value, and a scaling factor.

#### Differential mode

$$V_{ADC12(Volt)} = V_{ADC1} - V_{ADC2} = (1 + PGASEL) * \left( \frac{ADC_{RAW}}{FS_{16(OSR)}} \right) * VREF$$

With:

- PGASEL is the input attenuation register, values: 0, 1 or 2.
- ADC<sub>RAW</sub> is the value ADC\_CONV[31:16].
- FS<sub>16(OSR)</sub> is the full scale factor for ADC<sub>RAW</sub> it depends on the oversampling ratio (OSR):
  - FS<sub>16(32)</sub> = FS<sub>16(64)</sub> = 16708
  - FS<sub>16(100)</sub> = FS<sub>16(200)</sub> = 19450
- V<sub>REF</sub> represents the digital core power supply, typical V<sub>REF</sub> value is 2.4 V.

#### Single-ended mode

$$V_{ADC1(Volt)} = (1 + PGASEL) * (V_{bias} + \left( \frac{ADC_{RAW}}{FS_{16(OSR)}} \right) * VREF$$

$$V_{ADC2(Volt)} = (1 + PGASEL) * (V_{bias} - \left( \frac{ADC_{RAW}}{FS_{16(OSR)}} \right) * VREF$$

With:

- PGASEL is the input attenuation register, values: 0, 1 or 2.
- ADC<sub>RAW</sub> is the value ADC\_CONV[31:16].
- FS<sub>16(OSR)</sub> is the full scale factor for ADC<sub>RAW</sub> it depends on the oversampling ratio (OSR):
  - FS<sub>16(32)</sub> = FS<sub>16(64)</sub> = 16708
  - FS<sub>16(100)</sub> = FS<sub>16(200)</sub> = 19450
- V<sub>REF</sub> represents the digital core power supply, typical V<sub>REF</sub> value is 2.4 V.
- V<sub>bias</sub> is given by the register REFSEL, with a typical value of 0.6 V.

#### Battery voltage sensor

$$V_{BATT(Volt)} = K_{BATT} * (V_{bias} - \left( \frac{ADC_{RAW}}{FS_{16(OSR)}} \right) * VREF)$$

This mode enables the monitoring of the battery voltage  $V_{BATT}$ , through an internal resistive bridge.

With:

- $ADC_{RAW}$  is the value  $ADC\_CONV[31:16]$ .
- $FS_{16}(OSR)$  is the full scale factor for  $ADC_{RAW}$  it depends on the oversampling ratio (OSR):
  - $FS_{16}(32) = FS_{16}(64) = 16708$ .
  - $FS_{16}(100) = FS_{16}(200) = 19450$
- $V_{REF}$  represents the digital core power supply, typical  $V_{REF}$  value is 2.4 V.
- $V_{bias}$  is given by the register REFSEL, with a typical value of 0.6 V.
- $K_{BATT}$  is 4.36.

#### Temperature sensor

This mode enables the monitoring of the temperature by means of an internal sensor, with the following voltage to temperature conversion:

$$V_{TEMP(^{\circ}C)} = K_{TC} * (V_{bias} - \left(\frac{ADC_{RAW}}{FS_{16}(OSR)}\right) * V_{REF}) + OFFSET_{TC}$$

With:

- $ADC_{RAW}$  is the value  $ADC\_CONV[31:16]$ .
- $FS_{16}(OSR)$  is the full scale factor for  $ADC_{RAW}$  it depends on the oversampling ratio (OSR):
  - $FS_{16}(32) = FS_{16}(64) = 16708$
  - $FS_{16}(100) = FS_{16}(200) = 19450$
- $V_{REF}$  represents the digital core power supply, typical  $V_{REF}$  value is 2.4 V.
- $V_{bias}$  is given by the register REFSEL, with a typical value of 0.6 V.
- $K_{TC}$  is 401
- $OFFSET_{TC}$  is -267 °C

To ensure an accurate temperature reading, average the value over several reads.

### 3.6.3 ADC registers

ADC peripheral base address ( $ADC\_BASE\_ADDR$ ) 0x40800000.

Table 25: ADC registers

| Address offset | Name      | RW | Reset      | Description                                                                  |
|----------------|-----------|----|------------|------------------------------------------------------------------------------|
| 0x00           | CTRL      | RW | 0x00000000 | ADC control register. Refer to the detailed description below.               |
| 0x04           | CONF      | RW | 0x0000000C | ADC configuration register. Refer to the detailed description below.         |
| 0x08           | IRQSTAT   | R  | 0x00000000 | IRQ masked status register. Refer to the detailed description below.         |
| 0x0C           | IRQMASK   | RW | 0x0000000F | It sets the mask for ADC interrupt. Refer to the detailed description below. |
| 0x14           | DATA_CONV | R  | 0x00000000 | Result of the conversion in two complement format.                           |

| Address offset | Name         | RW | Reset      | Description                                                   |
|----------------|--------------|----|------------|---------------------------------------------------------------|
| 0x18           | OFFSET       | RW | 0x00000000 | Offset for correction of converted data                       |
| 0x20           | SR_REG       | RW | 0x00000000 | ADC status register. Refer to the detailed description below. |
| 0x24           | THRESHOLD_HI | RW | 0xFFFFFFFF | High threshold for window comparator.                         |
| 0x28           | THRESHOLD_LO | RW | 0x00000000 | Low threshold for window comparator.                          |

Table 26: ADC - CTRL register description: address offset ADC\_BASE\_ADDR+0x00

| Bit   | Field name  | Reset | RW | Description                                                                                                                                                                                                                                                      |
|-------|-------------|-------|----|------------------------------------------------------------------------------------------------------------------------------------------------------------------------------------------------------------------------------------------------------------------|
| 0     | ON          | 0x0   | RW | Starts ADC analog subsystem. This bit must be set before starting a conversion.<br>0: ADC is OFF.<br>1: ADC is ON.                                                                                                                                               |
| 1     | CALEN       | 0x0   | RW | Enables the calibration phase when set to 1. This bit is cleared and the calibration is disabled by setting the RSTCALEN bit.                                                                                                                                    |
| 2     | SWSTART     | 0x0   | RW | Starts the ADC conversion phase when set.                                                                                                                                                                                                                        |
| 3     | RESET       | 0x0   | RW | Reset all the ADC registers when set. This bit is auto-cleared by the hardware so it is always read at 0                                                                                                                                                         |
| 4     | STOP        | 0x0   | RW | Permits the continuous conversion to be stopped.<br>0: continuous conversion is enabled but SWSTART and ADCON bits must be set.<br>1: stop the continuous conversion and switch off the ADC. This bit is auto-cleared by the hardware so it is always read at 0. |
| 5     | ENAB_COMP   | 0x0   | RW | Enables the window comparator when set to 1. WDOG flag is ADC_SR register is set if the converted value is between THRESHOLD_HI and THRESHOLD_LO value.                                                                                                          |
| 6     | RSTCALEN    | 0x0   | RW | Disable the calibration phase when set to 1. This bit has to be set to disable the calibration each time calibration is enabled. This bit is auto-cleared by the hardware so it is always read at 0.                                                             |
| 7     | AUTO_OFFSET | 0x0   | RW | Enables the update of OFFSET register.<br>0: OFFSET register is not updated.<br>1: OFFSET register is updated.                                                                                                                                                   |
| 8     | MIC_ON      | 0x0   | RW | Enables the filter chain for voice when set to 1.<br>0: Filter chain is disabled.<br>1: Filter chain is enabled.                                                                                                                                                 |
| 9     | DMA_EN      | 0x0   | RW | Enables the DMA.<br>0: DMA is disabled.<br>1: DMA is enabled.                                                                                                                                                                                                    |
| 31:10 | RESERVED    | 0x0   | RW | RESERVED                                                                                                                                                                                                                                                         |

Table 27: ADC - CONF register description: address offset ADC\_BASE\_ADDR+0x04

| Bit   | Field name   | Reset | RW | Description                                                                                                                                                                                                                                                                                                                                                                                                                                                                             |
|-------|--------------|-------|----|-----------------------------------------------------------------------------------------------------------------------------------------------------------------------------------------------------------------------------------------------------------------------------------------------------------------------------------------------------------------------------------------------------------------------------------------------------------------------------------------|
| 0     | RESERVED     | 0x0   | RW | RESERVED                                                                                                                                                                                                                                                                                                                                                                                                                                                                                |
| 3:1   | CHSEL        | 0x6   | RW | Select the input channel:<br>000b: All switches open.<br>001b: Single ended through ADC2 pin. InP = Vbias (internal), InN = ADC2 pin.<br>010b: Single ended through ADC1 pin. InP = ADC1 pin, InN = Vbias (internal).<br>011b: Differential ADC1 pin - ADC2 pin, InP = ADC1 pin, InN = ADC2 pin.<br>100b: Temperature sensor. InP = 0.6 V (internal), InN = TEMP.<br>101b: Battery voltage sensor. InP = 0.6 V (internal), InN = VBATSENS.<br>110b: Short InN = InP = 0.6 V (internal). |
| 5:4   | REFSEL       | 0x0   | RW | Set the Vbias for single ended conversion:<br>00b: 0.0 V (default value not recommended)<br>10b: 0.6 V (suggested value)                                                                                                                                                                                                                                                                                                                                                                |
| 7:6   | OSR          | 0x0   | RW | Set the oversampling ratio.<br>00b: Set the oversampling ratio to 200 <sup>(1)</sup><br>01b: Set the oversampling ratio to 100<br>10b: Set the oversampling ratio to 64<br>11b: Set the oversampling ratio to 32                                                                                                                                                                                                                                                                        |
| 9:8   | PGASEL       | 0x0   | RW | Set the input attenuator value:<br>000b: Input attenuator at 0 dB<br>001b: Input attenuator at 6.02 dB<br>010b: Input attenuator at 9.54 dB                                                                                                                                                                                                                                                                                                                                             |
| 10    | RESERVED     | 0x0   | RW | RESERVED                                                                                                                                                                                                                                                                                                                                                                                                                                                                                |
| 11    | CONT         | 0x0   | RW | Enable the continuous conversion mode:<br>0: Single conversion<br>1: Continuous conversion                                                                                                                                                                                                                                                                                                                                                                                              |
| 17:12 | RESERVED     | 0x00  | RW | RESERVED                                                                                                                                                                                                                                                                                                                                                                                                                                                                                |
| 18    | SKIP         | 0x0   | RW | It permits the filter COMP to be bypassed to speed up the conversion for signal at low frequency:<br>0: Filter not bypassed<br>1: Filter bypassed                                                                                                                                                                                                                                                                                                                                       |
| 19    | RESERVED     | 0x0   | RW | RESERVED                                                                                                                                                                                                                                                                                                                                                                                                                                                                                |
| 20    | DIG_FILT_CLK | 0x0   | RW | Frequency clock selection value on GPIO0 when MIC_SEL=1:<br>0: 1.6 MHz<br>1: 0.8 MHz                                                                                                                                                                                                                                                                                                                                                                                                    |
| 21    | RESERVED     | 0x0   | RW | RESERVED                                                                                                                                                                                                                                                                                                                                                                                                                                                                                |

| Bit   | Field name | Reset | RW | Description                                                                                                      |
|-------|------------|-------|----|------------------------------------------------------------------------------------------------------------------|
| 22    | MIC_SEL    | 0x0   | RW | Provides the clock on GPIO:<br>0: Do not provided any external clock source<br>1: Provide clock source from GPIO |
| 31:23 | RESERVED   | 0x000 | WR | RESERVED                                                                                                         |

**Notes:**

(1)Best value for sampling DC signals.

**Table 28: ADC - IRQSTAT register description: address offset ADC\_BASE\_ADDR+0x08**

| Bit  | Field name | Reset | RW | Description                                                        |
|------|------------|-------|----|--------------------------------------------------------------------|
| 0    | ENDCAL     | 0x0   | R  | 1: when the calibration is completed. Clear on register read.      |
| 1    | RESERVED   | 0x0   | R  | RESERVED                                                           |
| 2    | EOC        | 0x0   | R  | 1: when the conversion is completed. Clear on register read.       |
| 3    | WDOG       | 0x0   | R  | 1: when the data is within the thresholds. Clear on register read. |
| 31:4 | RESERVED   | 0x0   | R  | RESERVED                                                           |

**Table 29: ADC - IRQMASK register description: address offset ADC\_BASE\_ADDR+0x0C**

| Bit  | Field name | Reset | RW | Description                                                                                                 |
|------|------------|-------|----|-------------------------------------------------------------------------------------------------------------|
| 0    | ENDCAL     | 0x1   | RW | Interrupt mask for the end of calibration event:<br>0: Interrupt is enabled.<br>1: Interrupt is disabled.   |
| 1    | RESERVED   | 0x1   | RW | RESERVED                                                                                                    |
| 2    | EOC        | 0x1   | RW | Interrupt mask for the end of conversion event:<br>0: Interrupt is enabled.<br>1: Interrupt is disabled.    |
| 3    | WDOG       | 0x1   | RW | Interrupt mask for the within the threshold event:<br>0: Interrupt is enabled.<br>1: Interrupt is disabled. |
| 31:4 | RESERVED   | 0x0   | RW | RESERVED                                                                                                    |

**Table 30: ADC - DATA\_CONV register description: address offset ADC\_BASE\_ADDR+0x14**

| Bit  | Field name | Reset      | RW | Description                                        |
|------|------------|------------|----|----------------------------------------------------|
| 31:0 | DATA_CONV  | 0x00000000 | R  | Result of the conversion in two complement format. |

**Table 31: ADC - OFFSET register description: address offset ADC\_BASE\_ADDR+0x18**

| Bit  | Field name | Reset      | RW | Description                              |
|------|------------|------------|----|------------------------------------------|
| 31:0 | OFFSET     | 0x00000000 | RW | Offset for correction of converted data. |

**Table 32: ADC - SR\_REG register description: address offset ADC\_BASE\_ADDR+0x20**

| Bit  | Field name | Reset | RW | Description                                                                                                                                                                                                                                                                                                                                          |
|------|------------|-------|----|------------------------------------------------------------------------------------------------------------------------------------------------------------------------------------------------------------------------------------------------------------------------------------------------------------------------------------------------------|
| 0    | RESERVED   | 0x0   | RW | RESERVED                                                                                                                                                                                                                                                                                                                                             |
| 1    | BUSY       | 0x0   | RW | 1: during conversion.                                                                                                                                                                                                                                                                                                                                |
| 2    | RESERVED   | 0x0   | RW | RESERVED                                                                                                                                                                                                                                                                                                                                             |
| 3    | WDOG       | 0x0   | RW | If ENAB_COMP = 1, this bit indicates the result of the conversion is between high and low threshold:<br>0: DATAOUT[31:0] is NOT between THRESHOLD_HI and THRESHOLD_LO values.<br>1: DATAOUT[31:0] is between THRESHOLD_HI and THRESHOLD_LO values.<br>This field is updated on each new end of conversion event related to the converted data value. |
| 31:4 | RESERVED   | 0x0   | RW | RESERVED                                                                                                                                                                                                                                                                                                                                             |

**Table 33: ADC - THRESHOLD\_HI register description: address offset ADC\_BASE\_ADDR+0x24**

| Bit  | Field name   | Reset      | RW | Description                           |
|------|--------------|------------|----|---------------------------------------|
| 31:0 | THRESHOLD_HI | 0xFFFFFFFF | RW | High threshold for window comparator. |

**Table 34: ADC - THRESHOLD\_LO register description: address offset ADC\_BASE\_ADDR+0x28**

| Bit  | Field name   | Reset      | RW | Description                          |
|------|--------------|------------|----|--------------------------------------|
| 31:0 | THRESHOLD_LO | 0x00000000 | RW | Low threshold for window comparator. |



All RESERVED fields inside registers must always be written with their default value.

## 3.7 DMA

### 3.7.1 Introduction

The BlueNRG-1 device embeds a DMA allowing various combination of data transfer between the memory and the peripherals without CPU intervention.

Main features are:

- Eight independently configurable channels connected to dedicated hardware DMA requests; software trigger is also supported.
- Priorities between requests from channels of the DMA are software programmable (four levels consisting of very high, high, medium, low). When two channels with same software priority need attention, channel with lower hardware index will take priority.
- Independent source and destination transfer size (byte, half word, word), emulating packing and unpacking.
- Support for circular buffer management.
- Event flags (DMA half transfer, DMA transfer complete), logically ORed together in a single interrupt request for each channel.

- Memory-to-memory transfer (RAM only), peripheral-to-memory and memory-to-peripheral, and peripheral-to-peripheral transfers.
- Programmable number of data to be transferred up to 65536 bytes.

### 3.7.2 Functional overview

The DMA controller performs direct memory transfer by sharing the system bus with the other masters of the device. The DMA request may stop the CPU access to the system bus for some bus cycles, when the CPU and DMA are targeting the same destination (memory or peripheral). The bus matrix implements round-robin scheduling, thus ensuring at least half of the system bus bandwidth (both to memory and peripheral) for the CPU.

#### 3.7.2.1 DMA transactions

After an event, the peripheral sends a request signal to the DMA controller. The DMA controller serves the request depending on the channel priorities. As soon as the DMA controller accesses the peripheral, the DMA controller sends an acknowledge to the peripheral. The peripheral releases its request as soon as it gets the acknowledge from the DMA controller. Once the request is deasserted by the peripheral, the DMA controller releases the acknowledge. If there are more requests, the peripheral can initiate the next transaction.

In summary, each DMA transfer consists of three operations:

- The loading of data from the peripheral data register or a location in memory addressed through an internal current peripheral/memory address register. The start address used for the first transfer is the base peripheral/memory address programmed in the DMA\_CPARx or DMA\_CMARx register
- The storage of the data loaded to the peripheral data register or a location in memory addressed through an internal current peripheral/memory address register. The start address used for the first transfer is the base peripheral/memory address programmed in the DMA\_CPARx or DMA\_CMARx register
- The post-decrementing of the DMA\_CNDTRx register, which contains the number of transactions that have still to be performed.

#### 3.7.2.2 Arbiter

The arbiter manages the channel requests based on their priority and launches the peripheral/memory access sequences.

The priorities are managed in two stages:

- Software: each channel priority can be configured in the DMA\_CCRx register. There are four levels:
  - Very high priority
  - High priority
  - Medium priority
  - Low priority
- Hardware: if two requests have the same software priority level, the channel with the lowest number has the priority versus the channel with the highest number. For example, channel 2 gets priority over channel 4.

#### 3.7.2.3 DMA channels

Each channel can handle DMA transfer between a peripheral register located at a fixed address and a memory address. The amount of data to be transferred (up to 65535) is programmable. The register, which contains the amount of data items to be transferred, is decremented after each transaction.

**Programmable data sizes**

Transfer data sizes of the peripheral and memory are fully programmable through the PSIZE and MSIZE bits in the DMA\_CCRx register.

**Pointer increments**

Peripheral and memory pointers can optionally be automatically post-incremented after each transaction depending on the PINC and MINC bits in the DMA\_CCRx register. If incremented mode is enabled, the address of the next transfer will be the address of the previous one incremented by 1, 2 or 4 depending on the chosen data size. The first transfer address is the one programmed in the DMA\_CPARx/DMA\_CMARx registers. During transfer operations, these registers keep the initially programmed value. The current transfer addresses (in the current internal peripheral/memory address register) are not accessible by software. If the channel is configured in non-circular mode, no DMA request is served after the last transfer (that is once the number of data items to be transferred has reached zero). In order to reload a new number of data items to be transferred into the DMA\_CNDTRx register, the DMA channel must be disabled.

If a DMA channel is disabled, the DMA registers are not reset. The DMA channel registers (DMA\_CCRx, DMA\_CPARx and DMA\_CMARx) retain the initial values programmed during the channel configuration phase.

In circular mode, after the last transfer, the DMA\_CNDTRx register is automatically reloaded with the initially programmed value. The current internal address registers are reloaded with the base address values from the DMA\_CPARx/DMA\_CMARx registers.

**Channel configuration procedure**

The following sequence should be followed to configure a DMA channelx (where x is the channel number).

1. Set the peripheral register address in the DMA\_CPARx register. The data are moved from/ to this address to/ from the memory after the peripheral event.
2. Set the memory address in the DMA\_CMARx register. The data will be written to or read from this memory after the peripheral event.
3. Configure the total number of data to be transferred in the DMA\_CNDTRx register. After each peripheral event, this value is decremented.
4. Configure the channel priority using the PL[1:0] bits in the DMA\_CCRx register.
5. Configure data transfer direction, circular mode, peripheral and memory incremented mode, peripheral and memory data size, and interrupt after half and/or full transfer in the DMA\_CCRx register.
6. Activate the channel by setting the ENABLE bit in the DMA\_CCRx register.

As soon as the channel is enabled, it can serve any DMA request from the peripheral connected on the channel. Once half of the bytes are transferred, the half-transfer flag (HTIF) is set and an interrupt is generated if the half-transfer interrupt enable bit (HTIE) is set. At the end of the transfer, the transfer complete flag (TCIF) is set and an interrupt is generated if the transfer complete interrupt enable bit (TCIE) is set.

**Circular mode**

Circular mode is available to handle circular buffers and continuous data flows (e.g. ADC scan mode). This feature can be enabled using the CIRC bit in the DMA\_CCRx register. When circular mode is activated, the number of data to be transferred is automatically reloaded with the initial value programmed during the channel configuration phase, and the DMA requests continue to be served.

**Memory-to-memory mode**

The DMA channels can also work without being triggered by a request from a peripheral. This mode is called memory-to-memory mode. If the MEM2MEM bit in the DMA\_CCRx



register is set, then the channel initiates transfers as soon as it is enabled by software by setting the Enable bit (EN) in the DMA\_CCRx register. The transfer stops once the DMA\_CNDTRx register reaches zero. Memory-to-Memory mode may not be used at the same time as Circular mode.

### 3.7.2.4 Programmable data width, data alignment and endianness

When PSIZE and MSIZE are not equal, the DMA performs some data alignments as described in [Table 35: "Programmable data width and endian behavior \(when bits PINC = MINC = 1\)"](#): Programmable data width & endian behavior (when bits PINC = MINC = 1).

**Table 35: Programmable data width and endian behavior (when bits PINC = MINC = 1)**

| Source port width | Destination port width | Number of data items to transfer (NDT) | Source content: address/data | Transfer operations                                    | Destination content: address/data |
|-------------------|------------------------|----------------------------------------|------------------------------|--------------------------------------------------------|-----------------------------------|
| 8                 | 8                      | 4                                      | @0x0 / B0                    | 1: READ B0[7:0]<br>@0x0 then WRITE B0[7:0] @0x0        | @0x0 / B0                         |
|                   |                        |                                        | @0x1 / B1                    | 2: READ B1[7:0]<br>@0x1 then WRITE B0[7:0] @0x1        | @0x1 / B1                         |
|                   |                        |                                        | @0x2 / B2                    | 3: READ B2[7:0]<br>@0x2 then WRITE B0[7:0] @0x2        | @0x2 / B2                         |
|                   |                        |                                        | @0x3 / B3                    | 4: READ B3[7:0]<br>@0x3 then WRITE B0[7:0] @0x3        | @0x3 / B3                         |
| 8                 | 16                     | 4                                      | @0x0 / B0                    | 1: READ B0[7:0]<br>@0x0 then WRITE 00B0[15:0] @0x0     | @0x0 / 00B0                       |
|                   |                        |                                        | @0x1 / B1                    | 2: READ B1[7:0]<br>@0x1 then WRITE 00B0[15:0] @0x2     | @0x2 / 00B1                       |
|                   |                        |                                        | @0x2 / B2                    | 3: READ B2[7:0]<br>@0x2 then WRITE 00B0[15:0] @0x4     | @0x4 / 00B2                       |
|                   |                        |                                        | @0x3 / B3                    | 4: READ B3[7:0]<br>@0x3 then WRITE 00B0[15:0] @0x6     | @0x6 / 00B3                       |
| 8                 | 32                     | 4                                      | @0x0 / B0                    | 1: READ B0[7:0]<br>@0x0 then WRITE 000000B0[31:0] @0x0 | @0x0 / 000000B0                   |
|                   |                        |                                        | @0x1 / B1                    | 2: READ B1[7:0]<br>@0x1 then WRITE 000000B0[31:0] @0x4 | @0x4 / 000000B1                   |
|                   |                        |                                        | @0x2 / B2                    | 3: READ B2[7:0]<br>@0x2 then WRITE 000000B0[31:0] @0x8 | @0x8 / 000000B2                   |
|                   |                        |                                        | @0x3 / B3                    | 4: READ B3[7:0]<br>@0x3 then WRITE 000000B0[31:0] @0xC | @0xC / 000000B3                   |

| Source port width | Destination port width | Number of data items to transfer (NDT) | Source content: address/data | Transfer operations                                    | Destination content: address/data |
|-------------------|------------------------|----------------------------------------|------------------------------|--------------------------------------------------------|-----------------------------------|
| 16                | 8                      | 4                                      | @0x0 / B1B0                  | 1: READ B1B0[15:0] @0x0 then WRITE B0[7:0] @0x0        | @0x0 / B0                         |
|                   |                        |                                        | @0x1 / B3B2                  | 2: READ B3B2[15:0] @0x2 then WRITE B0[7:0] @0x1        | @0x1 / B2                         |
|                   |                        |                                        | @0x2 / B5B4                  | 3: READ B5B4[15:0] @0x4 then WRITE B0[7:0] @0x2        | @0x2 / B4                         |
|                   |                        |                                        | @0x3 / B7B6                  | 4: READ B7B6[15:0] @0x6 then WRITE B0[7:0] @0x3        | @0x3 / B6                         |
| 16                | 16                     | 4                                      | @0x0 / B1B0                  | 1: READ B1B0[15:0] @0x0 then WRITE B1B0[15:0] @0x0     | @0x0 / B1B0                       |
|                   |                        |                                        | @0x1 / B3B2                  | 2: READ B3B2[15:0] @0x2 then WRITE B3B2[15:0] @0x2     | @0x2 / B3B2                       |
|                   |                        |                                        | @0x2 / B5B4                  | 3: READ B5B4[15:0] @0x4 then WRITE B5B4[15:0] @0x4     | @0x4 / B5B4                       |
|                   |                        |                                        | @0x3 / B7B6                  | 4: READ B7B6[15:0] @0x6 then WRITE B7B6[15:0] @0x6     | @0x6 / B7B6                       |
| 16                | 32                     | 4                                      | @0x0 / B1B0                  | 1: READ B1B0[15:0] @0x0 then WRITE 0000B1B0[31:0] @0x0 | @0x0 / 0000B1B0                   |
|                   |                        |                                        | @0x1 / B3B2                  | 2: READ B3B2[15:0] @0x2 then WRITE 0000B3B2[31:0] @0x4 | @0x4 / 0000B3B2                   |
|                   |                        |                                        | @0x2 / B5B4                  | 3: READ B5B4[15:0] @0x4 then WRITE 0000B5B4[31:0] @0x8 | @0x8 / 0000B5B4                   |
|                   |                        |                                        | @0x3 / B7B6                  | 4: READ B7B6[15:0] @0x6 then WRITE 0000B7B6[31:0] @0xC | @0xC / 0000B7B6                   |
| 32                | 8                      | 4                                      | @0x0 / B3B2B1B0              | 1: READ B3B2B1B0[31:0] @0x0 then WRITE B0[7:0] @0x0    | @0x0 / B0                         |
|                   |                        |                                        | @0x4 / B7B6B5B4              | 2: READ B7B6B5B4[31:0] @0x4 then WRITE B0[7:0] @0x1    | @0x1 / B4                         |



| Source port width | Destination port width | Number of data items to transfer (NDT) | Source content: address/data | Transfer operations                                           | Destination content: address/data |
|-------------------|------------------------|----------------------------------------|------------------------------|---------------------------------------------------------------|-----------------------------------|
|                   |                        |                                        | @0x8 / BBBAB9B8              | 3: READ BBBAB9B8[31:0]<br>@0x8 then WRITE B0[7:0] @0x2        | @0x2 / B8                         |
|                   |                        |                                        | @0xC / BFBEBDBC              | 4: READ BFBEBDBC[31:0]<br>@0xC then WRITE B0[7:0] @0x3        | @0x3 / BC                         |
| 32                | 16                     | 4                                      | @0x0 / B3B2B1B0              | 1: READ B3B2B1B0[31:0]<br>@0x0 then WRITE B1B0[15:0] @0x0     | @0x0 / B1B0                       |
|                   |                        |                                        | @0x4 / B7B6B5B4              | 2: READ B7B6B5B4[31:0]<br>@0x4 then WRITE B3B2[15:0] @0x2     | @0x2 / B5B4                       |
|                   |                        |                                        | @0x8 / BBBAB9B8              | 3: READ BBBAB9B8[31:0]<br>@0x8 then WRITE B5B4[15:0] @0x4     | @0x4 / B9B8                       |
|                   |                        |                                        | @0xC / BFBEBDBC              | 4: READ BFBEBDBC[31:0]<br>@0xC then WRITE B7B6[15:0] @0x6     | @0x6 / BDBC                       |
| 32                | 32                     | 4                                      | @0x0 / B3B2B1B0              | 1: READ B3B2B1B0[31:0]<br>@0x0 then WRITE 0000B1B0[31:0] @0x0 | @0x0 / B3B2B1B0                   |
|                   |                        |                                        | @0x4 / B7B6B5B4              | 2: READ B7B6B5B4[31:0]<br>@0x4 then WRITE 0000B3B2[31:0] @0x4 | @0x4 / B7B6B5B4                   |
|                   |                        |                                        | @0x8 / BBBAB9B8              | 3: READ BBBAB9B8[31:0]<br>@0x8 then WRITE 0000B5B4[31:0] @0x8 | @0x8 / BBBAB9B8                   |
|                   |                        |                                        | @0xC / BFBEBDBC              | 4: READ BFBEBDBC[31:0]<br>@0xC then WRITE 0000B7B6[31:0] @0xC | @0xC / BFBEBDBC                   |

The DMA is addressed through AHB and can be accessed only with 32-bit access. Any 8-bit or 16-bit access will generate a hard fault.

When the DMA initiates an AHB byte or halfword write operation, the data are duplicated on the unused lanes of the HWDATA[31:0] bus. So when the used AHB slave peripheral

does not support byte or halfword write operations (when HSIZE is not used by the peripheral) and does not generate any error, the DMA writes the 32 HWDATA bits as shown in the two examples below:

- To write the halfword “0xABCD”, the DMA sets the HWDATA bus to “0xABCDABCD” with HSIZE = HalfWord
- To write the byte “0xAB”, the DMA sets the HWDATA bus to “0xABABABAB” with HSIZE = byte

Assuming that the AHB/APB bridge is an AHB 32-bit slave peripheral that does not take the HSIZE data into account, it will transform any AHB byte or halfword operation into a 32-bit APB operation in the following manner:

- an AHB byte write operation of the data “0xB0” to 0x0 (or to 0x1, 0x2 or 0x3) is converted to an APB word write operation of the data “0xB0B0B0B0” to 0x0
- an AHB half-word write operation of the data “0xB1B0” to 0x0 (or to 0x2) is converted to an APB word write operation of the data “0xB1B0B1B0” to 0x0

### 3.7.2.5 Error management

A DMA transfer error can be generated by reading from or writing to a reserved address space. When a DMA transfer error occurs during a DMA read or a write access, the faulty channel is automatically disabled through a hardware clear of its EN bit in the corresponding channel configuration register (DMA\_CCRx). The channel's transfer error interrupt flag (TEIF) in the ISR register is set and an interrupt is generated if the transfer error interrupt enable bit (TEIE) in the DMA\_CCRx register is set.

### 3.7.2.6 Interrupts

An interrupt can be produced on a half-transfer, transfer complete or transfer error for each DMA channel. Separate interrupt enable bits are available for flexibility.

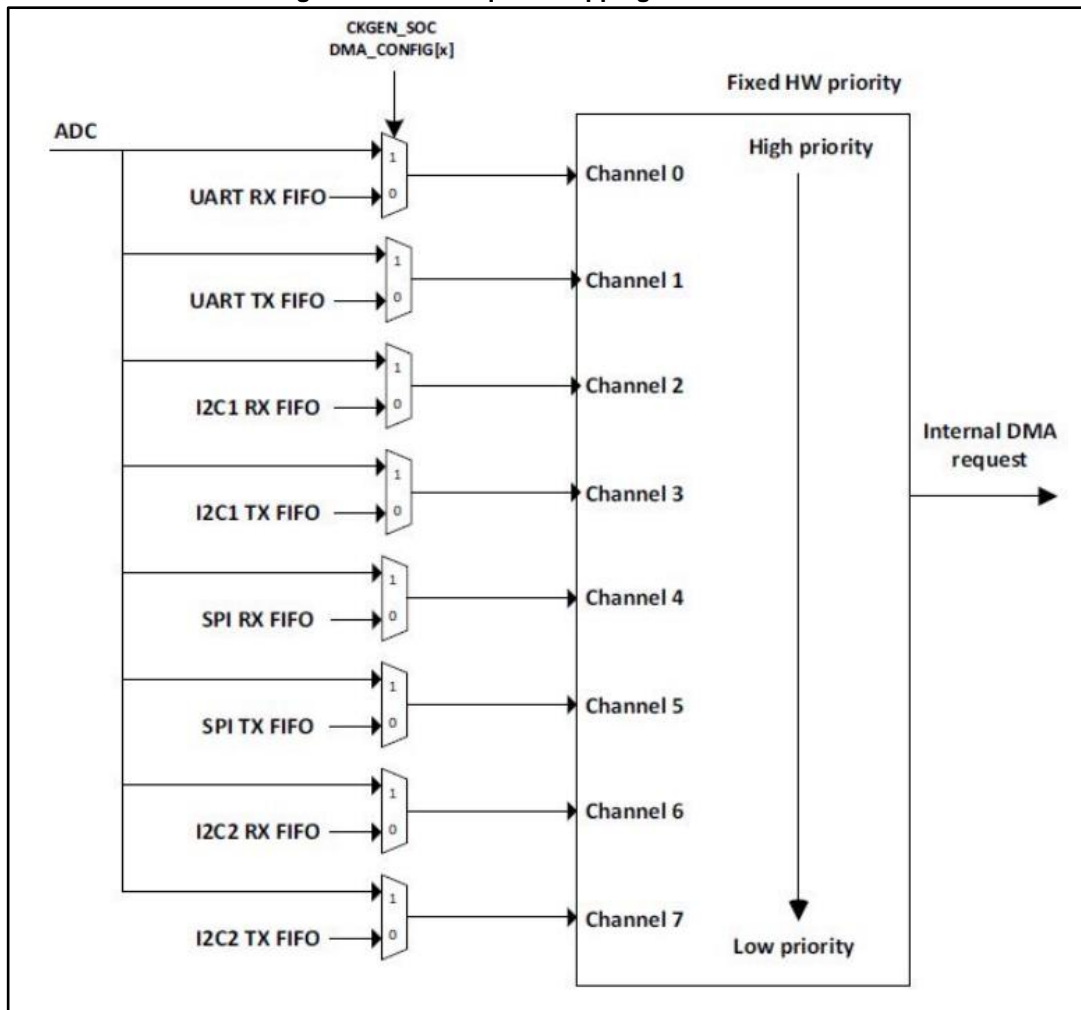
**Table 36: DMA interrupt requests**

| Interrupt event   | Event flag | Enable control bit |
|-------------------|------------|--------------------|
| Half-transfer     | HTIF       | HTIE               |
| Transfer complete | TCIF       | TCIE               |
| Transfer error    | TEIF       | TEIE               |

### 3.7.2.7 DMA request mapping

The eight requests from the peripherals (SPI, I2Cx[1,2] and UART) are multiplexed before entering DMA with the ADC request. For each channel, the choice between the peripheral and the ADC is done through the DMA\_CONFIG register.

Figure 11: DMA request mapping in BlueNRG-1



### 3.7.3 DMA registers

DMA peripheral base address (DMA\_BASE\_ADDR) 0xA0000000.

Table 37: DMA registers

| Address offset | Name | RW | Reset      | Description                                                                 |
|----------------|------|----|------------|-----------------------------------------------------------------------------|
| 0x00           | ISR  | R  | 0x00000000 | DMA interrupt status register. Refer to the detailed description below.     |
| 0x04           | IFCR | W  | 0x00000000 | DMA interrupt flag clear register. Refer to the detailed description below. |

Table 38: DMA - ISR register description: address offset DMA\_BASE\_ADDR+0x00

| Bit | Field name | Reset | RW | Description                                                                                                                                                                                                                                  |
|-----|------------|-------|----|----------------------------------------------------------------------------------------------------------------------------------------------------------------------------------------------------------------------------------------------|
| 0   | GIF0       | 0x0   | R  | Channel 0 global interrupt flag. This bit is set by hardware. It is cleared by software writing 1 to the corresponding bit in the IFCR register.<br>0: No TE, HT or TC event on channel 0.<br>1: A TE, HT or TC event occurred on channel 0. |

| Bit | Field name | Reset | RW | Description                                                                                                                                                                                                                                           |
|-----|------------|-------|----|-------------------------------------------------------------------------------------------------------------------------------------------------------------------------------------------------------------------------------------------------------|
| 1   | TCIF0      | 0x0   | R  | Channel 0 transfer complete flag. This bit is set by hardware. It is cleared by software writing 1 to the corresponding bit in the IFCR register.<br>0: No transfer complete (TC) on channel 0.<br>1: A transfer complete (TC) occurred on channel 0. |
| 2   | HTIF0      | 0x0   | R  | Channel 0 half transfer flag. This bit is set by hardware. It is cleared by software writing 1 to the corresponding bit in the IFCR register.<br>0: No half transfer (HT) event on channel 0.<br>1: A half transfer (HT) event occurred on channel 0. |
| 3   | TEIF0      | 0x0   | R  | Channel 0 transfer error flag. This bit is set by hardware. It is cleared by software writing 1 to the corresponding bit in the IFCR register.<br>0: No transfer error (TE) event on channel 0.<br>1: A transfer error (TE) occurred on channel 0.    |
| 4   | GIF1       | 0x0   | R  | Channel 1 global interrupt flag. This bit is set by hardware. It is cleared by software writing 1 to the corresponding bit in the IFCR register.<br>0: No TE, HT or TC event on channel 1.<br>1: A TE, HT or TC event occurred on channel 1.          |
| 5   | TCIF1      | 0x0   | R  | Channel 1 transfer complete flag. This bit is set by hardware. It is cleared by software writing 1 to the corresponding bit in the IFCR register.<br>0: No transfer complete (TC) on channel 1.<br>1: A transfer complete (TC) occurred on channel 1. |
| 6   | HTIF1      | 0x0   | R  | Channel 1 half transfer flag. This bit is set by hardware. It is cleared by software writing 1 to the corresponding bit in the IFCR register.<br>0: No half transfer (HT) event on channel 1.<br>1: A half transfer (HT) event occurred on channel 1. |
| 7   | TEIF1      | 0x0   | R  | Channel 1 transfer error flag. This bit is set by hardware. It is cleared by software writing 1 to the corresponding bit in the IFCR register.<br>0: No transfer error (TE) event on channel 1.<br>1: A transfer error (TE) occurred on channel 1.    |
| 8   | GIF2       | 0x0   | R  | Channel 2 global interrupt flag. This bit is set by hardware. It is cleared by software writing 1 to the corresponding bit in the IFCR register.<br>0: No TE, HT or TC event on channel 2.<br>1: A TE, HT or TC event occurred on channel 2.          |
| 9   | TCIF2      | 0x0   | R  | Channel 2 transfer complete flag. This bit is set by hardware. It is cleared by software writing 1 to the corresponding bit in the IFCR register.<br>0: No transfer complete (TC) on channel 2.<br>1: A transfer complete (TC) occurred on channel 2. |

| Bit | Field name | Reset | RW | Description                                                                                                                                                                                                                                           |
|-----|------------|-------|----|-------------------------------------------------------------------------------------------------------------------------------------------------------------------------------------------------------------------------------------------------------|
| 10  | HTIF2      | 0x0   | R  | Channel 2 half transfer flag. This bit is set by hardware. It is cleared by software writing 1 to the corresponding bit in the IFCR register.<br>0: No half transfer (HT) event on channel 2.<br>1: A half transfer (HT) event occurred on channel 2. |
| 11  | TEIF2      | 0x0   | R  | Channel 2 transfer error flag. This bit is set by hardware. It is cleared by software writing 1 to the corresponding bit in the IFCR register.<br>0: No transfer error (TE) event on channel 2.<br>1: A transfer error (TE) occurred on channel 2.    |
| 12  | GIF3       | 0x0   | R  | Channel 3 global interrupt flag. This bit is set by hardware. It is cleared by software writing 1 to the corresponding bit in the IFCR register.<br>0: No TE, HT or TC event on channel 3.<br>1: A TE, HT or TC event occurred on channel 3.          |
| 13  | TCIF3      | 0x0   | R  | Channel 3 transfer complete flag. This bit is set by hardware. It is cleared by software writing 1 to the corresponding bit in the IFCR register.<br>0: No transfer complete (TC) on channel 3.<br>1: A transfer complete (TC) occurred on channel 3. |
| 14  | HTIF3      | 0x0   | R  | Channel 3 half transfer flag. This bit is set by hardware. It is cleared by software writing 1 to the corresponding bit in the IFCR register.<br>0: No half transfer (HT) event on channel 3.<br>1: A half transfer (HT) event occurred on channel 3. |
| 15  | TEIF3      | 0x0   | R  | Channel 3 transfer error flag. This bit is set by hardware. It is cleared by software writing 1 to the corresponding bit in the IFCR register.<br>0: No transfer error (TE) event on channel 3.<br>1: A transfer error (TE) occurred on channel 3.    |
| 16  | GIF4       | 0x0   | R  | Channel 4 global interrupt flag. This bit is set by hardware. It is cleared by software writing 1 to the corresponding bit in the IFCR register.<br>0: No TE, HT or TC event on channel 4.<br>1: A TE, HT or TC event occurred on channel 4.          |
| 17  | TCIF4      | 0x0   | R  | Channel 4 transfer complete flag. This bit is set by hardware. It is cleared by software writing 1 to the corresponding bit in the IFCR register.<br>0: No transfer complete (TC) on channel 4.<br>1: A transfer complete (TC) occurred on channel 4. |
| 18  | HTIF4      | 0x0   | R  | Channel 4 half transfer flag. This bit is set by hardware. It is cleared by software writing 1 to the corresponding bit in the IFCR register.<br>0: No half transfer (HT) event on channel 4.<br>1: A half transfer (HT) event occurred on channel 4. |

| Bit | Field name | Reset | RW | Description                                                                                                                                                                                                                                           |
|-----|------------|-------|----|-------------------------------------------------------------------------------------------------------------------------------------------------------------------------------------------------------------------------------------------------------|
| 19  | TEIF4      | 0x0   | R  | Channel 4 transfer error flag. This bit is set by hardware. It is cleared by software writing 1 to the corresponding bit in the IFCR register.<br>0: No transfer error (TE) event on channel 4.<br>1: A transfer error (TE) occurred on channel 4.    |
| 20  | GIF5       | 0x0   | R  | Channel 5 global interrupt flag. This bit is set by hardware. It is cleared by software writing 1 to the corresponding bit in the IFCR register.<br>0: No TE, HT or TC event on channel 5.<br>1: A TE, HT or TC event occurred on channel 5.          |
| 21  | TCIF5      | 0x0   | R  | Channel 5 transfer complete flag. This bit is set by hardware. It is cleared by software writing 1 to the corresponding bit in the IFCR register.<br>0: No transfer complete (TC) on channel 5.<br>1: A transfer complete (TC) occurred on channel 5. |
| 22  | HTIF5      | 0x0   | R  | Channel 5 half transfer flag. This bit is set by hardware. It is cleared by software writing 1 to the corresponding bit in the IFCR register.<br>0: No half transfer (HT) event on channel 5.<br>1: A half transfer (HT) event occurred on channel 5. |
| 23  | TEIF5      | 0x0   | R  | Channel 5 transfer error flag. This bit is set by hardware. It is cleared by software writing 1 to the corresponding bit in the IFCR register.<br>0: No transfer error (TE) event on channel 5.<br>1: A transfer error (TE) occurred on channel 5.    |
| 24  | GIF6       | 0x0   | R  | Channel 6 global interrupt flag. This bit is set by hardware. It is cleared by software writing 1 to the corresponding bit in the IFCR register.<br>0: No TE, HT or TC event on channel 6.<br>1: A TE, HT or TC event occurred on channel 6.          |
| 25  | TCIF6      | 0x0   | R  | Channel 6 transfer complete flag. This bit is set by hardware. It is cleared by software writing 1 to the corresponding bit in the IFCR register.<br>0: No transfer complete (TC) on channel 6.<br>1: A transfer complete (TC) occurred on channel 6. |
| 26  | HTIF6      | 0x0   | R  | Channel 6 half transfer flag. This bit is set by hardware. It is cleared by software writing 1 to the corresponding bit in the IFCR register.<br>0: No half transfer (HT) event on channel 6.<br>1: A half transfer (HT) event occurred on channel 6. |
| 27  | TEIF6      | 0x0   | R  | Channel 6 transfer error flag. This bit is set by hardware. It is cleared by software writing 1 to the corresponding bit in the IFCR register.<br>0: No transfer error (TE) event on channel 6.<br>1: A transfer error (TE) occurred on channel 6.    |



| Bit | Field name | Reset | RW | Description                                                                                                                                                                                                                                           |
|-----|------------|-------|----|-------------------------------------------------------------------------------------------------------------------------------------------------------------------------------------------------------------------------------------------------------|
| 28  | GIF7       | 0x0   | R  | Channel 7 global interrupt flag. This bit is set by hardware. It is cleared by software writing 1 to the corresponding bit in the IFCR register.<br>0: No TE, HT or TC event on channel 7.<br>1: A TE, HT or TC event occurred on channel 7.          |
| 29  | TCIF7      | 0x0   | R  | Channel 7 transfer complete flag. This bit is set by hardware. It is cleared by software writing 1 to the corresponding bit in the IFCR register.<br>0: No transfer complete (TC) on channel 7.<br>1: A transfer complete (TC) occurred on channel 7. |
| 30  | HTIF7      | 0x0   | R  | Channel 7 half transfer flag. This bit is set by hardware. It is cleared by software writing 1 to the corresponding bit in the IFCR register.<br>0: No half transfer (HT) event on channel 7.<br>1: A half transfer (HT) event occurred on channel 7. |
| 31  | TEIF7      | 0x0   | R  | Channel 7 transfer error flag. This bit is set by hardware. It is cleared by software writing 1 to the corresponding bit in the IFCR register.<br>0: No transfer error (TE) event on channel 7.<br>1: A transfer error (TE) occurred on channel 7.    |

Table 39: DMA - IFCR register description: address offset DMA\_BASE\_ADDR+0x04

| Bit | Field name | Reset | RW | Description                                                                                                                                         |
|-----|------------|-------|----|-----------------------------------------------------------------------------------------------------------------------------------------------------|
| 0   | CGIF0      | 0x0   | W  | Channel 0 global interrupt flag. This bit is set by software.<br>0: No effect.<br>1: Clears the GIF, TEIF, HTIF and TCIF flags in the ISR register. |
| 1   | CTCIF0     | 0x0   | W  | Channel 0 transfer complete flag. This bit is set by software.<br>0: No effect.<br>1: Clears the corresponding TCIF flag in the ISR register.       |
| 2   | CHTIF0     | 0x0   | W  | Channel 0 half transfer flag. This bit is set by software.<br>0: No effect.<br>1: Clears the corresponding HTIF flag in the ISR register.           |
| 3   | CTEIF0     | 0x0   | W  | Channel 0 transfer error flag. This bit is set by software.<br>0: No effect.<br>1: Clears the corresponding TEIF flag in the ISR register.          |
| 4   | CGIF1      | 0x0   | W  | Channel 1 global interrupt flag. This bit is set by software.<br>0: No effect.<br>1: Clears the GIF, TEIF, HTIF and TCIF flags in the ISR register. |

| Bit | Field name | Reset | RW | Description                                                                                                                                         |
|-----|------------|-------|----|-----------------------------------------------------------------------------------------------------------------------------------------------------|
| 5   | CTCIF1     | 0x0   | W  | Channel 1 transfer complete flag. This bit is set by software.<br>0: No effect.<br>1: Clears the corresponding TCIF flag in the ISR register.       |
| 6   | CHTIF1     | 0x0   | W  | Channel 1 half transfer flag. This bit is set by software.<br>0: No effect.<br>1: Clears the corresponding HTIF flag in the ISR register.           |
| 7   | CTEIF1     | 0x0   | W  | Channel 1 transfer error flag. This bit is set by software.<br>0: No effect.<br>1: Clears the corresponding TEIF flag in the ISR register.          |
| 8   | CGIF2      | 0x0   | W  | Channel 2 global interrupt flag. This bit is set by software.<br>0: No effect.<br>1: Clears the GIF, TEIF, HTIF and TCIF flags in the ISR register. |
| 9   | CTCIF2     | 0x0   | W  | Channel 2 transfer complete flag. This bit is set by software.<br>0: No effect.<br>1: Clears the corresponding TCIF flag in the ISR register.       |
| 10  | CHTIF2     | 0x0   | W  | Channel 2 half transfer flag. This bit is set by software.<br>0: No effect.<br>1: Clears the corresponding HTIF flag in the ISR register.           |
| 11  | CTEIF2     | 0x0   | W  | Channel 2 transfer error flag. This bit is set by software.<br>0: No effect.<br>1: Clears the corresponding TEIF flag in the ISR register.          |
| 12  | CGIF3      | 0x0   | W  | Channel 3 global interrupt flag. This bit is set by software.<br>0: No effect.<br>1: Clears the GIF, TEIF, HTIF and TCIF flags in the ISR register. |
| 13  | CTCIF3     | 0x0   | W  | Channel 3 transfer complete flag. This bit is set by software.<br>0: No effect.<br>1: Clears the corresponding TCIF flag in the ISR register.       |

| Bit | Field name | Reset | RW | Description                                                                                                                                         |
|-----|------------|-------|----|-----------------------------------------------------------------------------------------------------------------------------------------------------|
| 14  | CHTIF3     | 0x0   | W  | Channel 3 half transfer flag. This bit is set by software.<br>0: No effect.<br>1: Clears the corresponding HTIF flag in the ISR register.           |
| 15  | CTEIF3     | 0x0   | W  | Channel 3 transfer error flag. This bit is set by software.<br>0: No effect.<br>1: Clears the corresponding TEIF flag in the ISR register.          |
| 16  | CGIF4      | 0x0   | W  | Channel 4 global interrupt flag. This bit is set by software.<br>0: No effect.<br>1: Clears the GIF, TEIF, HTIF and TCIF flags in the ISR register. |
| 17  | CTCIF4     | 0x0   | W  | Channel 4 transfer complete flag. This bit is set by software.<br>0: No effect.<br>1: Clears the corresponding TCIF flag in the ISR register.       |
| 18  | CHTIF4     | 0x0   | W  | Channel 4 half transfer flag. This bit is set by software.<br>0: No effect.<br>1: Clears the corresponding HTIF flag in the ISR register.           |
| 19  | CTEIF4     | 0x0   | W  | Channel 4 transfer error flag. This bit is set by software.<br>0: No effect.<br>1: Clears the corresponding TEIF flag in the ISR register.          |
| 20  | CGIF5      | 0x0   | W  | Channel 5 global interrupt flag. This bit is set by software.<br>0: No effect.<br>1: Clears the GIF, TEIF, HTIF and TCIF flags in the ISR register. |
| 21  | CTCIF5     | 0x0   | W  | Channel 5 transfer complete flag. This bit is set by software.<br>0: No effect.<br>1: Clears the corresponding TCIF flag in the ISR register.       |
| 22  | CHTIF5     | 0x0   | W  | Channel 5 half transfer flag. This bit is set by software.<br>0: No effect.<br>1: Clears the corresponding HTIF flag in the ISR register.           |

| Bit | Field name | Reset | RW | Description                                                                                                                                         |
|-----|------------|-------|----|-----------------------------------------------------------------------------------------------------------------------------------------------------|
| 23  | CTEIF5     | 0x0   | W  | Channel 5 transfer error flag. This bit is set by software.<br>0: No effect.<br>1: Clears the corresponding TEIF flag in the ISR register.          |
| 24  | CGIF6      | 0x0   | W  | Channel 6 global interrupt flag. This bit is set by software.<br>0: No effect.<br>1: Clears the GIF, TEIF, HTIF and TCIF flags in the ISR register. |
| 25  | CTCIF6     | 0x0   | W  | Channel 6 transfer complete flag. This bit is set by software.<br>0: No effect.<br>1: Clears the corresponding TCIF flag in the ISR register.       |
| 26  | CHTIF6     | 0x0   | W  | Channel 6 half transfer flag. This bit is set by software.<br>0: No effect.<br>1: Clears the corresponding HTIF flag in the ISR register.           |
| 27  | CTEIF6     | 0x0   | W  | Channel 6 transfer error flag. This bit is set by software.<br>0: No effect.<br>1: Clears the corresponding TEIF flag in the ISR register.          |
| 28  | CGIF7      | 0x0   | W  | Channel 7 global interrupt flag. This bit is set by software.<br>0: No effect.<br>1: Clears the GIF, TEIF, HTIF and TCIF flags in the ISR register. |
| 29  | CTCIF7     | 0x0   | W  | Channel 7 transfer complete flag. This bit is set by software.<br>0: No effect.<br>1: Clears the corresponding TCIF flag in the ISR register.       |
| 30  | CHTIF7     | 0x0   | W  | Channel 7 half transfer flag. This bit is set by software.<br>0: No effect.<br>1: Clears the corresponding HTIF flag in the ISR register.           |
| 31  | CTEIF7     | 0x0   | W  | Channel 7 transfer error flag. This bit is set by software.<br>0: No effect.<br>1: Clears the corresponding TEIF flag in the ISR register.          |

- DMA\_CH0 peripheral base address (DMA\_CH0\_BASE\_ADDR) 0xA0000008
- DMA\_CH1 peripheral base address (DMA\_CH1\_BASE\_ADDR) 0xA000001C

- DMA\_CH2 peripheral base address (DMA\_CH2\_BASE\_ADDR) 0xA0000030
- DMA\_CH3 peripheral base address (DMA\_CH3\_BASE\_ADDR) 0xA0000044
- DMA\_CH4 peripheral base address (DMA\_CH4\_BASE\_ADDR) 0xA0000058
- DMA\_CH5 peripheral base address (DMA\_CH5\_BASE\_ADDR) 0xA000006C
- DMA\_CH6 peripheral base address (DMA\_CH6\_BASE\_ADDR) 0xA0000080
- DMA\_CH7 peripheral base address (DMA\_CH7\_BASE\_ADDR) 0xA0000094

Table 40: DMA\_CHx registers

| Address offset | Name  | RW | Reset      | Description                                                                       |
|----------------|-------|----|------------|-----------------------------------------------------------------------------------|
| 0x00           | CCR   | RW | 0x00000000 | DMA channel configuration register. Refer to the detailed description below.      |
| 0x04           | CNDTR | RW | 0x00000000 | DMA channel number of data register. Refer to the detailed description below.     |
| 0x08           | CPAR  | RW | 0x00000000 | DMA channel peripheral address register. Refer to the detailed description below. |
| 0x0C           | CMAR  | RW | 0x00000000 | DMA channel memory address register. Refer to the detailed description below.     |

Table 41: DMA\_CHx - CCR register description: address offset DMA\_CHX\_BASE\_ADDR+0x00

| Bit | Field name | Reset | RW | Description                                                                                         |
|-----|------------|-------|----|-----------------------------------------------------------------------------------------------------|
| 0   | EN         | 0x0   | RW | DMA channel enable.<br>0: DMA channel disabled.<br>1: DMA channel enabled.                          |
| 1   | TCIE       | 0x0   | RW | Transfer complete interrupt enable.<br>0: TC interrupt disabled.<br>1: TC interrupt enabled.        |
| 2   | HTIE       | 0x0   | RW | Half transfer interrupt enable.<br>0: HT interrupt disabled.<br>1: HT interrupt enabled.            |
| 3   | TEIE       | 0x0   | RW | Transfer error interrupt enable.<br>0: TE interrupt disabled.<br>1: TE interrupt enabled.           |
| 4   | DIR        | 0x0   | RW | Data transfer direction.<br>0: Read from peripheral.<br>1: Read from memory.                        |
| 5   | CIRC       | 0x0   | RW | Circular mode.<br>0: Circular mode disabled.<br>1: Circular mode enabled.                           |
| 6   | PINC       | 0x0   | RW | Peripheral increment mode.<br>0: Peripheral increment disabled.<br>1: Peripheral increment enabled. |
| 7   | MINC       | 0x0   | RW | Memory increment mode.<br>0: Memory increment disabled.<br>1: Memory increment enabled.             |

| Bit   | Field name | Reset | RW | Description                                                                                                               |
|-------|------------|-------|----|---------------------------------------------------------------------------------------------------------------------------|
| 9:8   | PSIZE      | 0x0   | RW | Peripheral size.<br>00b: Size 8 bits.<br>01b: Size 16 bits.<br>10b: Size 32 bits.                                         |
| 11:10 | MSIZE      | 0x0   | RW | Memory size.<br>00b: Size 8 bits.<br>01b: Size 16 bits.<br>10b: Size 32 bits.                                             |
| 13:12 | PL         | 0x0   | RW | Channel priority level.<br>00b: Low priority.<br>01b: Medium priority.<br>10b: High priority.<br>11b: Very high priority. |
| 14    | MEM2MEM    | 0x0   | RW | Memory to memory mode.<br>0: Memory to memory mode disabled.<br>1: Memory to memory mode enabled.                         |
| 31:15 | RESERVED   | 0x0   | RW | RESERVED                                                                                                                  |

**Table 42: DMA\_CHx - CNCTR register description: address offset  
DMA\_CHX\_BASE\_ADDR+0x04**

| Bit   | Field name | Reset | RW | Description                                                                                                                                                                                                                                                                                                                                                                                                                                                                                                                                                          |
|-------|------------|-------|----|----------------------------------------------------------------------------------------------------------------------------------------------------------------------------------------------------------------------------------------------------------------------------------------------------------------------------------------------------------------------------------------------------------------------------------------------------------------------------------------------------------------------------------------------------------------------|
| 15:0  | NDT        | 0x0   | RW | Number of data to be transferred (0 up to 65535). This register can only be written when the channel is disabled. Once the channel is enabled, this register is read-only, indicating the remaining bytes to be transmitted. This register decrements after each DMA transfer. Once the transfer is completed, this register can either stay at zero or be reloaded automatically by the value previously programmed if the channel is configured in auto-reload mode. If this register is zero, no transaction can be served whether the channel is enabled or not. |
| 31:16 | RESERVED   | 0x0   | RW | RESERVED                                                                                                                                                                                                                                                                                                                                                                                                                                                                                                                                                             |

**Table 43: DMA\_CHx - CPAR register description: address offset  
DMA\_CHX\_BASE\_ADDR+0x08**

| Bit  | Field name | Reset | RW | Description                                                                                                                                                                                                                                                                                          |
|------|------------|-------|----|------------------------------------------------------------------------------------------------------------------------------------------------------------------------------------------------------------------------------------------------------------------------------------------------------|
| 31:0 | PA         | 0x0   | RW | Base address of the peripheral data register from/to which the data are read/written. When PSIZE is 01 (16-bit), the PA[0] bit is ignored. Access is automatically aligned to a halfword address. When PSIZE is 10 (32-bit), PA[1:0] are ignored. Access is automatically aligned to a word address. |

**Table 44: DMA\_CHx - CMAR register description: address offset  
DMA\_CHX\_BASE\_ADDR+0x0C**

| Bit  | Field name | Reset | RW | Description                                                                                                                                                                                                                                                                             |
|------|------------|-------|----|-----------------------------------------------------------------------------------------------------------------------------------------------------------------------------------------------------------------------------------------------------------------------------------------|
| 31:0 | MA         | 0x0   | RW | Base address of the memory area from/to which the data are read/written. When MSIZE is 01 (16-bit), the MA[0] bit is ignored. Access is automatically aligned to a halfword address. When MSIZE is 10 (32-bit), MA[1:0] are ignored. Access is automatically aligned to a word address. |



All RESERVED fields inside registers must always be written with their default values.

## 3.8 SPI

### 3.8.1 Introduction

The BlueNRG-1 integrates a serial peripheral interface compatible with the Motorola and National Semiconductor Microwire standards.

Main features are:

- Maximal supported baud rate is 1 MHz in slave mode and 8 MHz in master mode.
- Parallel-to-serial conversion on data written to an internal 32-bit wide, 16-location deep transmitter FIFO.
- Serial-to-parallel conversion on received data, buffering in a 32-bit wide 16-location deep receive FIFO.
- Programmable data frame size from 4-bit to 32-bit.
- Programmable clock bit rate and prescaler.
- Programmable clock phase and polarity in SPI mode.
- Support for direct memory access (DMA).

### 3.8.2 Functional overview

The SPI performs serial-to-parallel conversion on data received from a peripheral device on the SPI\_IN pin, and parallel-to-serial conversion on data written by CPU for transmission on the SPI\_OUT pin.

The role of the SPI pins are defined by the SPI master or SPI slave role.

**Table 45: SPI pin assignments**

| SPI role | SPI_IN pin | SPI_OUT pin |
|----------|------------|-------------|
| Master   | MISO       | MOSI        |
| Slave    | MOSI       | MISO        |

The transmit and receive paths are buffered with internal FIFO memories allowing up to 16 x 32-bit values to be stored independently in both transmit and receive modes. FIFOs may be burst-loaded or emptied by the system processor or by the DMA, from one to eight words per transfer. Each 32-bit word from the system fills one entry in FIFO.

The SPI includes a programmable bitrate clock divider and prescaler to generate the serial output clock signal from the SPI\_CLK pin.

### 3.8.2.1 SPI clock phase and clock polarity

The SPH control bit selects the clock edge that captures data and allows it to change state. It has the most impact on the first bit transmitted by either allowing or not allowing a clock transition before the first data capture edge. The SPO bit selects the clock polarity (low or high) of the clock signal. SPH in conjunction with the SPO bit allow four possible timing variations listed in the following table.

**Table 46: SPI clock phase and clock polarity**

| SPH | SPO | Timing description                                                                                                                                                                                                                                                                                                                                                                                |
|-----|-----|---------------------------------------------------------------------------------------------------------------------------------------------------------------------------------------------------------------------------------------------------------------------------------------------------------------------------------------------------------------------------------------------------|
| 0b  | 0b  | The clock signal is stopped to low inactive level between transfers. The first rising edge occurs in the middle of the first data bit (with delay). The SPI transmits data one-half cycle ahead of the rising edge of clock signal and receives data on the rising edge of clock signal. In case of multi byte transmission, the CS line must be pulsed HIGH between each data word transfer.     |
| 0b  | 1b  | The clock signal is stopped to high inactive level between transfers. The first falling edge occurs in the middle of the first data bit (with delay). The SPI transmits data one-half cycle ahead of the falling edge of clock signal and receives data on the falling edge of clock signal. In case of multi byte transmission, the CS line must be pulsed HIGH between each data word transfer. |
| 1b  | 0b  | The clock signal is stopped to low inactive level between transfers. The first rising edge occurs at the start of the first data bit (no delay). The SPI transmits data on the rising edge of clock signal and receives data on the falling edge of clock signal.                                                                                                                                 |
| 1b  | 1b  | The clock signal is stopped to high inactive level between transfers. The first falling edge occurs at the start of the first data bit (no delay). The SPI transmits data on the falling edge of clock signal and receives data on the rising edge of clock signal.                                                                                                                               |

### 3.8.2.2 Procedure for enabling SPI

The SPI initialization procedure is the following (assuming clocks already enabled):

1. Clear the SSE bit in the CR1 register. This step is not required after a hardware or software reset of the BlueNRG1.
2. Empty the receive FIFO. This step is not required after a hardware or software reset of the device BlueNRG1.
3. Program IO\_MODE to route SPI port signals on those GPIOs. See section GPIO operating modes.
4. Program the SPI clock prescaler register (CPSR), then program the configuration registers CR0 and CR1.
5. The transmit FIFO can optionally be filled before enabling the SPI.
6. Set the SSE bit to enable SPI operation.



The transmit FIFO and the receive FIFO are not cleared when the SSE bit is cleared.

### 3.8.2.3 SPI bit rate generation

The SPI bitrate is derived by dividing down the peripheral clock (CLK) by an even prescaler value CPSDVSr from 2 to 254, the clock is further divided by a value from 1 to 256, which is 1+SCR. The SPI frequency clock duty cycle is always 0.5.



### 3.8.2.4 SPI data endianness

All transfers can be sent and received with configurable endianness according the setting of the (T/R)ENDN bit in the CR1 registers

The cases "00b" and "11b" of TENDN and RENDN are implemented for data frame size from 4- to 32-bit. The cases "01b" and "10b" of TENDN and RENDN are implemented only for the following data frame sizes: 16-bit, 24-bit and 32-bit. Transmit data endianness: TENDN in CR1:

**Table 47: SPI\_OUT endianness**

| TENDN | Endianness                                               |
|-------|----------------------------------------------------------|
| 00b   | The element is transmitted MSByte-first and MSbit-first. |
| 01b   | The element is transmitted LSByte-first and MSbit-first. |
| 10b   | The element is transmitted MSByte-first and LSbit-first. |
| 11b   | The element is transmitted LSByte-first and LSbit-first. |

**Table 48: SPI\_IN endianness**

| RENDN | Endianness                                            |
|-------|-------------------------------------------------------|
| 00b   | The element is received MSByte-first and MSbit-first. |
| 01b   | The element is received LSByte-first and MSbit-first. |
| 10b   | The element is received MSByte-first and LSbit-first. |
| 11b   | The element is received LSByte-first and LSbit-first. |

### 3.8.2.5 SPI interrupts

There are six individual maskable interrupt sources generated by the SPI (single interrupt signal that drives the NVIC):

- Receive interrupt
- Transmit interrupt
- Timeout interrupt
- Receive overrun interrupt
- Transmit underrun interrupt
- Transmit empty interrupt

The user can enable or disable the individual interrupt sources by changing the mask bits in the IMSC register. Setting the appropriate mask bit to 1b enables the interrupt. The status of the individual interrupt sources can be read from the RIS register (raw interrupt status) or from the MIS register (masked interrupt status).

#### 3.8.2.6 Receive interrupt

The receive interrupt is asserted when the number of data in receive FIFO reaches the programmed trigger watermark level. The receive interrupt is cleared by reading data from the receive FIFO until there are less data than the programmed watermark level.

#### 3.8.2.7 Transmit interrupt

The transmit interrupt is asserted when the number of data in the transmit FIFO is less than or equal to the programmed watermark level. It is cleared by performing writes to the transmit FIFO until it holds more elements than the programmed watermark level. The

transmitter interrupt is not qualified with the SPI enable bit, which allows operation in one of two ways:

- Data can be written to the transmit FIFO prior to enabling the SPI and the interrupts.
- Or the SPI and the interrupts can be enabled so that data can be written to the transmit FIFO by an interrupt service routine.

### 3.8.2.8 Timeout interrupt

The receive timeout interrupt is asserted when the receive FIFO is not empty, and no further data is received over a 32-bit period of the serial clock. This mechanism ensures that the user is aware that data is still present in the receive FIFO and requires servicing.

The receive timeout interrupt is cleared either when the FIFO becomes empty through reading all the data, or if new data is received, or when a 1b is written to the corresponding bit of the ICR register.

### 3.8.2.9 Receive overrun interrupt

Receive overrun interrupt is asserted when the receive FIFO is already full and an additional data frame is received, causing an overrun of the FIFO. Data is overwritten in the receive shift register, but not in the FIFO. The interrupt is cleared when a 1b is written to the corresponding bit of the ICR register.

### 3.8.2.10 Transmit underrun interrupt

The transmit underrun interrupt is asserted when the transmit FIFO is already empty and an additional frame is transmitted, causing an underrun of the FIFO. Data is over-read in the transmit shift register. This interrupt is cleared when a 1b is written to the corresponding bit of the ICR register.

### 3.8.2.11 Transmit empty interrupt

The transmit interrupt is asserted when the transmit FIFO is empty. It is cleared by performing writes to the transmit FIFO.

### 3.8.2.12 SPI master communication mode for Motorola standard

The SPIM register field selects the SPI transmission mode, these modes are applicable only for SPI master mode:

- Full duplex mode (SPIM = 00b): the master transmits the data available in the TXFIFO and receives the data from the slave.
- Transmit mode (SPIM = 01b): when the data is available in TX FIFO, the SPI\_OUT line is run, and no data is written in RX FIFO
- Receive mode (SPIM = 10b): the sequence of receive mode is: When the receive mode is selected we have two cases:
  - a. The software sets the mode to receive (SPIM = 10) and writes the dummy character value to the CHN register.
  - b. The software writes the value "number of frames to receive from the slave" in the RXFRM register.
    - a. If the TXFIFO is empty, the master receives data from the slave, transmitting the character from the CHN register in each frame received. The RXFRM register is decremented by one at each transmission/reception. The interface runs until the RXFRM value is dummy AND the written number of frames in RXFRM is received.
    - b. If the TXFIFO is not empty, the master first transmits the data available in the TXFIFO and receives the data from the slave (like the full duplex mode). The RXFRM register is not decremented. When all the data available in TXFIFO are

transmitted, the TXFIFO becomes empty (case a), then the dummy character from the CHN register are transmitted for each frame received. The RXFRM register is decremented for each transaction. When the value in this register is zero and the written number of frames in RXFRM is received, the interface does not run anymore. The user has to write the RXFRM (with value greater than zero) by software to reactivate the interface.



In all cases, the RXFRM is decremented by one only if the TXFIFO is empty. The RFRM is decremented before the data is sent.



If the software fills the TXFIFO while the SPI is transmitting the dummy character, then the words of TXFIFO should be ignored and we should not send them in this mode, only the dummy -character are transmitted.

- Combined mode (SPIM = 11b): the sequence of combined mode is:
  - a. The software sets the mode to combined mode: (SPIM=11).
  - b. The software writes to the WDTXF register the "number of frames to be received by the slave (a value greater than zero) from TXFIFO master".

If the number of words written in the WDTXF register are sent (WDTXF is equal to zero) but the RXFRM register is not equal to zero, the master transmits the dummy character (defined in CHM register) and receives the slave data, decrementing the RXFRM register by one. Once the RXFRM register is equal to zero and all the data written in RXFRM are sent, the interface is stopped.

When the RXFRM register is zero and WDTXF is not equal to zero and the TXFIFO of the master and of slave are not empty, the master transmits the data from TXFIFO and receives the data from the slave. Before the data is sent from TXFIFO, the WDTXF is decremented by one. When the WDTXF register is zero and all the numbers written in this register are sent, the interface is stopped.

The interface is stopped when:

- WDTXF and RXFRM registers are equal to zero.
- WDTXF register is not equal to zero and TXFIFO is empty.
- RXFRM register is not equal to zero, the WDTXF register is zero and TXFIFO is not empty.

For each data transmission (TXFIFO data or CHN register data), the data slave is received.

WDTXF is decremented by one only at each data transmission from TXFIFO. The decrementing is done before the words are sent out.

RXFRM is decremented by one only at each dummy character transmission from the CHN register. The decrementing is done before the words are sent out.

When we start decrementing one of the registers (RXFRM or WDTXF), we must decrement until we reach zero and we send the last words before starting the decrement of other registers (RXFRM or WDTXF).

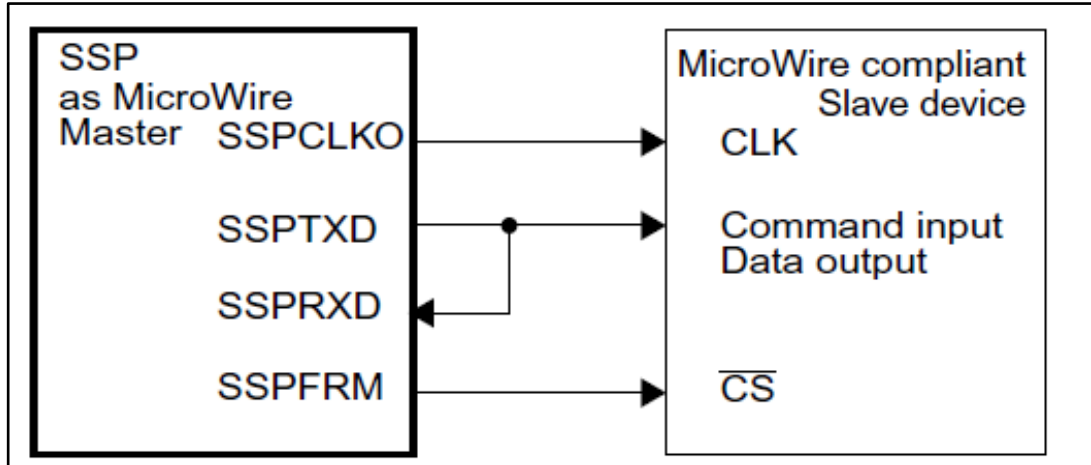
Switching between these different modes when SPI is enabled is possible. If the transmission mode is deselected for another mode during a frame transmission, the new mode becomes active at the start of the next word.

**3.8.2.13 SPI master communication mode for National Semiconductor Microwire standard**

The FRF register field selects the SPI mode interface: the default value 0 indicates the Motorola standard interface, while FRF = 2 selects the Microwire standard interface for the 3-wire SPI mode.

The hardware connection considers the SPI\_IN and SPI\_OUT pins connected together as shown in the figure below. The two pins are handled internally to send and receive data.

**Figure 12: MicroWire master and slave communication**



The CSS register field specifies the length of the data to send and the DSS register field specifies the length of the data to receive.

In reception mode, the quantity of data to read is specified in the DSS register field. The set of the SSE register field, enables SPI for the communication. The user should wait for data reception to end before attempting any reads. The SSE register field must be reset at the end of the communication.

In transmission mode, the send data are written inside the TX FIFO and the quantity of data to send is specified in the CSS register field. The SSE register field setting enables SPI for the communication. When the busy flag is RESET, SPI communication is terminated. The SSE register field must be reset at the end of the communication.

**3.8.3 SPI registers**

SPI peripheral base address (SPI\_BASE\_ADDR) 0x40400000.

**Table 49: SPI registers**

| Address offset | Name | RW | Reset      | Description                                                       |
|----------------|------|----|------------|-------------------------------------------------------------------|
| 0x00           | CR0  | RW | 0x1C000000 | Control register 0. Refer to the detailed description below.      |
| 0x04           | CR1  | RW | 0x00000000 | Control register 1. Refer to the detailed description below.      |
| 0x08           | DR   | RW | 0x00000000 | Data register. Refer to the detailed description below.           |
| 0x0C           | SR   | R  | 0x00000003 | Status register. Refer to the detailed description below.         |
| 0x10           | CPSR | RW | 0x00000000 | Clock prescale register. Refer to the detailed description below. |

| Address offset | Name  | RW | Reset      | Description                                                                                              |
|----------------|-------|----|------------|----------------------------------------------------------------------------------------------------------|
| 0x14           | IMSC  | RW | 0x00000000 | Interrupt mask set or clear register. Refer to the detailed description below.                           |
| 0x18           | RIS   | R  | 0x00000000 | Raw interrupt status register. Refer to the detailed description below.                                  |
| 0x1C           | MIS   | R  | 0x00000000 | Masked Interrupt Status Register. Refer to the detailed description below.                               |
| 0x20           | ICR   | W  | 0x00000000 | Interrupt clear register. Refer to the detailed description below.                                       |
| 0x24           | DMACR | RW | 0x00000000 | SPI DMA control register. Refer to the detailed description below.                                       |
| 0x28           | RXFRM | RW | 0x00000000 | SPI receive frame register. Indicates the number of frames to receive from the slave.                    |
| 0x2C           | CHN   | RW | 0x00000000 | Dummy character register                                                                                 |
| 0x30           | WDTXF | RW | 0x00000000 | SPI transmit FIFO receive frame number. Indicates the number of frames to receive from the transmit FIFO |
| 0x80           | ITCR  | RW | 0x00000000 | Integration test control register. Refer to the detailed description below.                              |
| 0x8C           | TDR   | RW | 0x00000000 | Test data register                                                                                       |

Table 50: SPI - CR0 register description: address offset SPI\_BASE\_ADDR+0x00

| Bit  | Field name | Reset | RW | Description                                                                                                                                                                                                                               |
|------|------------|-------|----|-------------------------------------------------------------------------------------------------------------------------------------------------------------------------------------------------------------------------------------------|
| 4:0  | DSS        | 0x0   | RW | Data size select. (DSS+1) defines the number of bits:<br>0x00: Reserved.<br>0x01: Reserved.<br>0x02: Reserved.<br>0x03: 4-bit data.<br>0x04: 5-bit data.<br>...<br>0x1F: 32-bit data.                                                     |
| 5    | RESERVED   | 0x0   | RW | RESERVED                                                                                                                                                                                                                                  |
| 6    | SPO        | 0x0   | RW | Clock polarity (Motorola SPI format only):<br>0: Steady-state of clock polarity is low.<br>1: Steady-state of clock polarity is high.                                                                                                     |
| 7    | SPH        | 0x0   | RW | Clock phase (Motorola SPI format only):<br>0: Steady state of clock phase is low.<br>1: Steady state of clock phase is high.                                                                                                              |
| 15:8 | SCR        | 0x0   | RW | Serial clock rate.<br>The SRC value is used to generate the transmit and receive bit rate of the SPI. The bit rate is: $f\_SPICLK / (CPSDVR * (1 + SCR))$ , where CPSDVR is an even value from 2 to 254 and SCR is a value from 0 to 255. |

| Bit   | Field name | Reset | RW | Description                                                                                                                                                                                                              |
|-------|------------|-------|----|--------------------------------------------------------------------------------------------------------------------------------------------------------------------------------------------------------------------------|
| 20:16 | CSS        | 0x00  | RW | Command size select (CSS+1) defines the number of bits for the command in MicroWire mode only:<br>0x00: Reserved<br>0x01: Reserved<br>0x02: Reserved<br>0x03: 4-bit data<br>0x04: 5-bit data<br>...<br>0x1F: 32-bit data |
| 21:22 | FRF        | 0x00  | RW | Frame format:<br>0: Motorola SPI frame format<br>2: National MicroWire frame format                                                                                                                                      |
| 24:23 | SPIM       | 0x0   | RW | SPI Master transmission mode (in Motorola SPI master mode only):<br>00b: Full duplex mode.<br>01b: Transmit mode.<br>10b: Receive mode.<br>11b: Combined mode.                                                           |
| 25    | RESERVED   | 0x0   | RW | RESERVED                                                                                                                                                                                                                 |
| 26    | CS1        | 0x1   | RW | Chip Selection for slave one<br>0: the slave 1 is selected.<br>1: the slave 1 is not selected.                                                                                                                           |
| 31:27 | RESERVED   | 0x3   | RW | RESERVED                                                                                                                                                                                                                 |

Table 51: SPI - CR1 register description: address offset SPI\_BASE\_ADDR+0x04

| Bit | Field name | Reset | RW | Description                                                                                                                                                                                                                                                                                                                                         |
|-----|------------|-------|----|-----------------------------------------------------------------------------------------------------------------------------------------------------------------------------------------------------------------------------------------------------------------------------------------------------------------------------------------------------|
| 0   | RESERVED   | 0x0   | RW | RESERVED                                                                                                                                                                                                                                                                                                                                            |
| 1   | SSE        | 0x0   | RW | SPI enable.<br>0: SPI disable.<br>1: SPI enable.                                                                                                                                                                                                                                                                                                    |
| 2   | MS         | 0x0   | RW | Master or slave mode select.<br>0: Master mode.<br>1: Slave mode.                                                                                                                                                                                                                                                                                   |
| 3   | SOD        | 0x0   | RW | Slave mode output disable (slave mode only).<br>0: SPI can drive the MISO signal in slave mode.<br>1: SPI must not drive the MISO signal in slave mode.<br>In multiple slave system, it is possible for a SPI master to broadcast a message to all slaves in the system while ensuring only one slave drives data onto the serial output line MISO. |

| Bit   | Field name | Reset | RW | Description                                                                                                                                                                                                                                                                                                                                                                                                                                    |
|-------|------------|-------|----|------------------------------------------------------------------------------------------------------------------------------------------------------------------------------------------------------------------------------------------------------------------------------------------------------------------------------------------------------------------------------------------------------------------------------------------------|
| 5:4   | RENDN      | 0x0   | RW | Receive endian format.<br>00b: The element is received MSByte-first and MSbit-first.<br>01b: The element is received LSByte-first and MSbit-first.<br>10b: The element is received MSByte-first and LSbit-first.<br>11b: The element is received LSByte-first and LSbit-first.<br>The cases 00b and 11b are set for data frame size from 4 to 32 bits. The cases 01b and 10b are set only for data frame size 16, 24 and 32 bits.              |
| 6     | MWAIT      | 0x0   | RW | MicroWire wait state bit enable:<br>0: No wait state<br>1: One wait state                                                                                                                                                                                                                                                                                                                                                                      |
| 9:7   | RXIFLSEL   | 0x0   | RW | Receive interrupt FIFO level select. This bit field selects the trigger points to receive FIFO interrupt:<br>000b: RX FIFO contains 1 element or more.<br>001b: RX FIFO contains 4 elements or more.<br>010b: RX FIFO contains 8 elements or more.<br>Others: Reserved.                                                                                                                                                                        |
| 12:10 | TXIFLSEL   | 0x0   | RW | Transmit interrupt FIFO level select. This bit field selects the trigger points to transmit FIFO interrupt:<br>000b: TX FIFO contains 1 element or more.<br>001b: TX FIFO contains 4 elements or more.<br>010b: TX FIFO contains 8 elements or more.<br>Others: Reserved.                                                                                                                                                                      |
| 13    | RESERVED   | 0x0   | RW | RESERVED                                                                                                                                                                                                                                                                                                                                                                                                                                       |
| 17:14 | MSPIWAIT   | 0x0   | RW | Motorola SPI wait mode. This value is used to insert a wait state between frames.                                                                                                                                                                                                                                                                                                                                                              |
| 19:18 | TENDN      | 0x0   | RW | Transmit endian format.<br>00b: The element is transmitted MSByte-first and MSbit-first.<br>01b: The element is transmitted LSByte-first and MSbit-first.<br>10b: The element is transmitted MSByte-first and LSbit-first.<br>11b: The element is transmitted LSByte-first and LSbit-first.<br>The cases 00b and 11b are set for data frame size from 4 to 32 bits. The cases 01b and 10b are set only for data frame size 16, 24 and 32 bits. |
| 20    | RESERVED   | 0x0   | RW | RESERVED                                                                                                                                                                                                                                                                                                                                                                                                                                       |
| 21    | DATAINDEL  | 0x0   | RW | Data input delay.<br>0: No delay is inserted in data input.<br>1: A delay of 2 clock cycles is inserted in the data input path.                                                                                                                                                                                                                                                                                                                |
| 31:22 | RESERVED   | 0x0   | RW | RESERVED                                                                                                                                                                                                                                                                                                                                                                                                                                       |

**Table 52: SPI - DR register description: address offset SPI\_BASE\_ADDR+0x08**

| Bit  | Field name | Reset | RW | Description                                                                                                                                                                                                                                                             |
|------|------------|-------|----|-------------------------------------------------------------------------------------------------------------------------------------------------------------------------------------------------------------------------------------------------------------------------|
| 31:0 | DATA       | 0x0   | RW | Transmit/receive data:<br>Read: RX FIFO is read.<br>Write: TX FIFO is written.<br>Data must be right-justified when a data size of less than 32-bit is programmed. Unused bits are ignored by the transmit logic. The receive logic automatically right-justifies data. |

**Table 53: SPI - SR register description: address offset SPI\_BASE\_ADDR+0x0C**

| Bit  | Field name | Reset | RW | Description                                                                                                                 |
|------|------------|-------|----|-----------------------------------------------------------------------------------------------------------------------------|
| 0    | TFE        | 0x1   | R  | Transmit FIFO empty:<br>0: TX FIFO is not empty.<br>1: TX FIFO is empty.                                                    |
| 1    | TNF        | 0x1   | R  | Transmit FIFO not full:<br>0: TX FIFO is full.<br>1: TX FIFO is not full.                                                   |
| 2    | RNE        | 0x0   | R  | Receive FIFO not empty:<br>0: RX FIFO is empty.<br>1: RX FIFO is not empty.                                                 |
| 3    | RFF        | 0x0   | R  | Receive FIFO full:<br>0: RX FIFO is not full.<br>1: RX FIFO is full.                                                        |
| 4    | BSY        | 0x0   | R  | SPI busy flag:<br>0: SPI is idle.<br>1: SPI is currently transmitting and/or receiving a frame or the TX FIFO is not empty. |
| 31:5 | RESERVED   | 0x0   | R  | RESERVED                                                                                                                    |

**Table 54: SPI - CPSR register description: address offset SPI\_BASE\_ADDR+0x10**

| Bit  | Field name | Reset | RW | Description                                                                                                                                                                                                                                                                               |
|------|------------|-------|----|-------------------------------------------------------------------------------------------------------------------------------------------------------------------------------------------------------------------------------------------------------------------------------------------|
| 7:0  | CPDVDVSR   | 0x0   | RW | Clock prescaler divisor. It must be an even number from 2 to 254. The value is used to generate the transmit and receive bit rate of the SPI. The bit rate is:<br>$F_{SPCLK} / [CPDVDVSR \times (1+SCR)]$<br>where SCR is a value from 0 to 255, programmed through the SSP_CR0 register. |
| 31:8 | RESERVED   | 0x0   | RW | RESERVED                                                                                                                                                                                                                                                                                  |



Table 55: SPI - IMSC register description. Address offset SPI\_BASE\_ADDR+0x14.

| Bit  | Field name | Reset | RW | Description                                                                                                                                                                                                                              |
|------|------------|-------|----|------------------------------------------------------------------------------------------------------------------------------------------------------------------------------------------------------------------------------------------|
| 0    | RORIM      | 0x0   | RW | Receive overrun interrupt mask:<br>0: RX FIFO written to while full condition interrupt is masked (irq disabled).<br>1: RX FIFO written to while full condition interrupt is not masked (irq enabled).                                   |
| 1    | RTIM       | 0x0   | RW | Receive timeout interrupt mask:<br>0: RX FIFO not empty or no read prior to the timeout period interrupt is masked (irq disabled).<br>1: RX FIFO not empty or no read prior to the timeout period interrupt is not masked (irq enabled). |
| 2    | RXIM       | 0x0   | RW | Receive FIFO interrupt mask:<br>0: Receive interrupt is masked (irq disabled).<br>1: Receive interrupt is not masked (irq enabled).                                                                                                      |
| 3    | TXIM       | 0x0   | RW | Transmit FIFO interrupt mask:<br>0: Transmit interrupt is masked (irq disabled).<br>1: Transmit interrupt is not masked (irq enabled).                                                                                                   |
| 4    | TURIM      | 0x0   | RW | Transmit underrun interrupt mask:<br>0: Transmit underrun interrupt is masked (irq disabled).<br>1: Transmit underrun interrupt is not masked (irq enabled).                                                                             |
| 5    | TEIM       | 0x0   | RW | Transmit FIFO empty interrupt mask:<br>0: TX FIFO empty interrupt is masked (irq disabled).<br>1: TX FIFO empty interrupt is not masked (irq enabled).                                                                                   |
| 31:6 | RESERVED   | 0x0   | RW | RESERVED                                                                                                                                                                                                                                 |

Table 56: SPI - RIS register description: address offset SPI\_BASE\_ADDR+0x18

| Bit  | Field name | Reset | RW | Description                              |
|------|------------|-------|----|------------------------------------------|
| 0    | RORRIS     | 0x0   | R  | Receive overrun raw interrupt status     |
| 1    | RTRIS      | 0x0   | R  | Receive time out raw interrupt status    |
| 2    | RXRIS      | 0x0   | R  | Receive raw interrupt status             |
| 3    | TXRIS      | 0x0   | R  | Transmit raw interrupt status            |
| 4    | TURRIS     | 0x0   | R  | Transmit underrun raw interrupt Status   |
| 5    | TERIS      | 0x0   | R  | Transmit FIFO empty raw interrupt status |
| 31:6 | RESERVED   | 0x0   | R  | RESERVED                                 |

Table 57: SPI - MIS register description: address offset SPI\_BASE\_ADDR+0x1C

| Bit | Field name | Reset | RW | Description                                                                                                         |
|-----|------------|-------|----|---------------------------------------------------------------------------------------------------------------------|
| 0   | RORMIS     | 0x0   | R  | Receive overrun masked interrupt status: gives the interrupt status after masking of the receive overrun interrupt. |
| 1   | RTMIS      | 0x0   | R  | Receive time out masked interrupt status: gives the interrupt status after masking of receive timeout interrupt.    |
| 2   | RXMIS      | 0x0   | R  | Receive masked interrupt status: gives the interrupt status after masking of the receive interrupt.                 |

| Bit  | Field name | Reset | RW | Description                                                                                                                 |
|------|------------|-------|----|-----------------------------------------------------------------------------------------------------------------------------|
| 3    | TXMIS      | 0x0   | R  | Transmit masked interrupt status: gives the interrupt status after masking of the transmit interrupt.                       |
| 4    | TURMIS     | 0x0   | R  | Transmit underrun masked interrupt status: gives the interrupt status after masking of the transmit underrun interrupt.     |
| 5    | TEMIS      | 0x0   | R  | Transmit FIFO empty masked interrupt status: gives the interrupt status after masking of the transmit FIFO empty interrupt. |
| 31:6 | RESERVED   | 0x0   | R  | RESERVED                                                                                                                    |

Table 58: SPI - ICR register description: address offset SPI\_BASE\_ADDR+0x20

| Bit  | Field name | Reset | RW | Description                                                                         |
|------|------------|-------|----|-------------------------------------------------------------------------------------|
| 0    | RORIC      | 0x0   | W  | Receive overrun clear interrupt: writing 1 clears the receive overrun interrupt.    |
| 1    | RTIC       | 0x0   | W  | Receive time out clear interrupt: writing 1 clears the receive timeout interrupt.   |
| 2    | TURIC      | 0x0   | W  | Transmit underrun clear interrupt: writing 1 clears the transmit overrun interrupt. |
| 31:3 | RESERVED   | 0x0   | RW | RESERVED                                                                            |

Table 59: SPI - DMACR register description: address offset SPI\_BASE\_ADDR+0x24

| Bit  | Field name | Reset | RW | Description                                                                                                               |
|------|------------|-------|----|---------------------------------------------------------------------------------------------------------------------------|
| 0    | RXDMASE    | 0x0   | RW | Single receive DMA request.<br>0: Single transfer DMA in receive disable.<br>1: Single transfer DMA in receive enable.    |
| 1    | RESERVED   | 0x0   | RW | RESERVED                                                                                                                  |
| 2    | TXDMASE    | 0x0   | RW | Single transmit DMA request.<br>0: Single transfer DMA in transmit disable.<br>1: Single transfer DMA in transmit enable. |
| 31:3 | RESERVED   | 0x0   | RW | RESERVED                                                                                                                  |

Table 60: SPI – RXFRM register description: address offset SPI\_BASE\_ADDR+0x28

| Bit   | Field name | Reset  | RW | Description                                                                           |
|-------|------------|--------|----|---------------------------------------------------------------------------------------|
| 15:0  | RXFRM      | 0x0000 | RW | SPI receive frame register. Indicates the number of frames to receive from the slave. |
| 31:16 | RESERVED   | 0x0000 | RW | RESERVED                                                                              |

Table 61: SPI – CHN register description: address offset SPI\_BASE\_ADDR+0x2C

| Bit  | Field name | Reset      | RW | Description               |
|------|------------|------------|----|---------------------------|
| 31:0 | CHN        | 0x00000000 | RW | Dummy character register. |

**Table 62: SPI – WDTXF register description: address offset SPI\_BASE\_ADDR + 0x30**

| Bit   | Field name | Reset  | RW     | Description                                                                                         |
|-------|------------|--------|--------|-----------------------------------------------------------------------------------------------------|
| 15:0  | WDTXF      | 0x0000 | 0x0000 | SPI transmit FIFO receive frame number. Indicates the number of frames to receive from the TX FIFO. |
| 31:16 | RESERVED   | 0x0000 | 0x0000 | RESERVED                                                                                            |

**Table 63: SPI - ITCR register description: address offset SPI\_BASE\_ADDR+0x80**

| Bit  | Field name | Reset | RW | Description                                                                                                                                                                                                                                                                                                                                          |
|------|------------|-------|----|------------------------------------------------------------------------------------------------------------------------------------------------------------------------------------------------------------------------------------------------------------------------------------------------------------------------------------------------------|
| 0    | RESERVED   | 0x0   | RW | RESERVED                                                                                                                                                                                                                                                                                                                                             |
| 1    | SWAPFIFO   | 0x0   | RW | FIFO control mode:<br>0: FIFO normal mode. Write in TDR register puts data in TX FIFO and read from TDR register read data from RX FIFO.<br>1: FIFO swapped mode. Write in TDR register puts data in RX FIFO and read from TDR register read data from TX FIFO.<br>The registers SWAPFIFO and TDR allow the TX FIFO to be cleared from unwanted data |
| 31:2 | RESERVED   | 0x0   | RW | RESERVED                                                                                                                                                                                                                                                                                                                                             |

**Table 64: SPI – TDR register description: address offset SPI\_BASE\_ADDR+0x8C**

| Bit  | Field name | Reset      | RW | Description                                                                                                                                                |
|------|------------|------------|----|------------------------------------------------------------------------------------------------------------------------------------------------------------|
| 31:0 | TDR        | 0x00000000 | RW | Allows reading out data from TX FIFO if the SWAPFIFO bitfield is set.<br>The registers SWAPFIFO and TDR allow the TX FIFO to be cleared from unwanted data |



All RESERVED fields inside registers must always be written with their default values.

## 3.9 UART

### 3.9.1 Introduction

The BlueNRG-1 integrates a universal asynchronous receiver/transmitter that support much of the functionality of the industry-standard 16C650 UART.

Main features are:

- Programmable baud rates up to 2 Mbps.
- Programmable data frame of 5, 6, 7 or 8 bits of data.
- Even, odd, stick or no-parity bit generation and detection.
- Programmable 1 or 2 stop bit.
- Support of hardware flow control using CTS and RTS pins.
- Support of software flow control using programmable Xon/Xoff characters
- False start bit detection.
- Line break generation and detection.

- Programmable 8-bit wide, 64-deep transmit FIFO and 12-bit wide (8-bit data and 4-bit status) , 64-deep receive FIFO.
- Support for direct memory access (DMA).

### 3.9.2 Functional description

The UART performs serial-to-parallel conversion on data asynchronously received from a peripheral device on the UART\_RX pin, and parallel-to-serial conversion on data written by CPU for transmission on the UART\_TX pin. The transmit and receive paths are buffered with internal FIFO memories allowing up to 64 data byte for transmission, and 64 data byte with 4-bit status (break, frame, parity, and overrun) for receive. FIFOs may be burst-loaded or emptied by the system processor from 1 to 16 words per transfer.

#### 3.9.2.1 Data transmission or reception

Data received or transmitted is stored in two 64-byte FIFOs. The receive FIFO has an extra four bits per character for the status information:

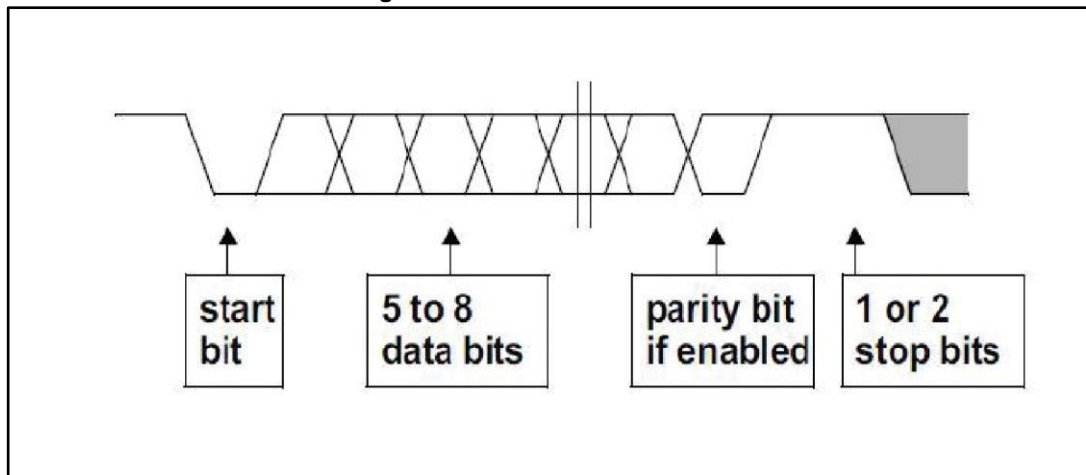
- Error bits 8 to 10 are associated with a particular character: break error, parity error and framing error.
- Overrun indicator bit 11 is set when the FIFO is full, and the next character is completely received in the shift register. The data in the shift register is overwritten, but it is not written into the FIFO. When an empty location is available in the receive FIFO, and another character is received, the state of the overrun bit is copied into the received FIFO along with the received character. The overrun state is then cleared.

**Table 65: RX FIFO errors**

| FIFO bit | Function          |
|----------|-------------------|
| 11       | Overrun indicator |
| 10       | Break error       |
| 9        | Parity error      |
| 8        | Framing error     |
| 7:0      | Received data     |

For transmission, data is written into the transmit FIFO. If the UART is enabled, it causes a data frame to start transmitting with the parameters indicated in LCRH\_TX. Data continue to be transmitted until there is no data left in the transmit FIFO. The BUSY flag in the UARTFR register is set as soon as data is written to the transmit FIFO (that is, the FIFO is non-empty) and remains asserted while data is being transmitted. BUSY is cleared only when the transmit FIFO is empty, and the last character has been transmitted from the shift register, including the stop bits. BUSY can be set even though the UART might no longer be enabled. For each sample of data, three readings are taken and the majority value is kept. In the following paragraphs, the middle sampling point is defined, and one sample is taken either side of it. When the receiver detect a start bit, the receive counter runs and data is sampled on the 8th cycle of that counter in normal UART mode. The start bit is valid if UART\_RX signal is still low on the eighth cycle of Baud16, otherwise a false start bit is detected and it is ignored. If the start bit is valid, successive data bits are sampled on every 16th cycle of Baud16 (that is 1-bit period later) according to the programmed length of the data characters. The parity bit is then checked if parity mode was enabled. Lastly, a valid stop bit is confirmed if UART\_RX signal is high, otherwise a framing error has occurred. When a full word is received, the data is stored in the receive FIFO, with any error bits associated with that. The UART character frame is shown in [Figure 13: "UART character frame"](#) below.

Figure 13: UART character frame



The FIFOs can be disabled. In this case, the transmit and receive sides of the UART have 1-byte holding registers (the bottom entry of the FIFOs). The overrun bit is set when a word has been received, and the previous one was not yet read. In this implementation, the FIFOs are not physically disabled, but the flags are manipulated to give the illusion of a 1-byte register.

### 3.9.2.2 Baud rate divisor

The baud rate divisor is a 22-bit number consisting of a 16-bit integer (BRDI) and a 6-bit fractional part (BRDF). The fractional baud rate divider enables the use of any clock to act as UART\_CLK, while it is still possible to generate all the standard baud rates.

The 16-bit integer is loaded through the UART\_IBRD register and the 6-bit fractional part is loaded into the UART\_FBRD register. The baud rate divisor has the following relationship:

When bit OVSFAC = 0b: divisor =  $\text{UARTCLK} / (16 \times \text{baud rate}) = \text{BRDI} + \text{BRDF}$ .

When bit OVSFAC = 1b: divisor =  $\text{UARTCLK} / (8 \times \text{baud rate}) = \text{BRDI} + \text{BRDF}$ .

Calculation of the fractional 6-bit number (DIVFRAC) is done by taking the fractional part of the required baud rate divisor and multiplying it by 64 (that is,  $2^n$ , where  $n$  is the width of the UART\_FBRD register) and adding 0.5 to account for rounding errors:

$$\text{DIVFRAC} = \text{integer}(\text{BRDF} * 64 + 0.5)$$

The maximum deviation error using a 6-bit UART\_FBRD register is  $1/64 * 100 = 1.56\%$ .

This occurs when DIVFRAC = 1, and the error is cumulative over 64 clock ticks.

**Example 1:** Calculating the divisor value (with OVSFAC = 0b).

If the required baud rate is 460 800 and the UART clock frequency is 16 MHz then:

$$\text{Baud rate divisor} = (16 \times 106) / (16 \times 460\,800) = 2.170$$

$$\text{BRDI} = 2 \text{ and } \text{BRDF} = 0.170$$

$$\text{Therefore fractional part DIVFRAC} = \text{integer}(\text{BRDF} * 64 + 0.5) = 11$$

$$\text{Generated baud rate divider} = 2 + (11 / 64) = 2.1718$$

$$\text{Generated baud rate} = (16 \times 106) / (16 \times 2.172) = 460\,447$$

$$\text{Error} = (460\,800 - 460\,405) / 460\,800 \times 100 = 0.077\%$$

An internal clock enable signal, Baud16, is generated, and is a stream of one UARTCLK wide pulses with an average frequency of 16 (OVSFAC<sub>T</sub> = 0b) or 8 (OVSFAC<sub>T</sub> = 1b) times the desired baud rate. This signal is then divided by 16 or 8 to give the transmit clock. A low number in the baud rate divisor gives a short bit period, and a high number in the baud rate divisor gives a long bit period.

*Table 66: "Typical baud rates with OVSFACT = 0"* shows some typical bit rates and their corresponding divisors when OVSFACT = 0b, given the UART clock frequency of 16 MHz.

**Table 66: Typical baud rates with OVSFACT = 0**

| Required bit rate (bps) | Programmed divisor |                    | Generated bit rate (bps) | Error (%) |
|-------------------------|--------------------|--------------------|--------------------------|-----------|
|                         | Integer (DIVINT)   | Fraction (DIVFRAC) |                          |           |
| 921 600                 | 1 (16'h0001)       | 5 (6'h05)          | 927 557                  | 0.646     |
| 460 800                 | 2 (16'h0002)       | 11 (6'h0B)         | 460 447                  | - 0.077   |
| 230 400                 | 4 (16'h0004)       | 22 (6'h16)         | 230 218                  | - 0.079   |
| 115 200                 | 8 (16'h0008)       | 44 (6'h2C)         | 115 107                  | - 0.081   |
| 57 600                  | 17 (16'h0011)      | 23 (6'h17)         | 57 606                   | 0.010     |
| 38 400                  | 26 (16'h001A)      | 3 (6'h03)          | 38 392                   | - 0.021   |
| 28 800                  | 34 (16'h0022)      | 46 (6'h2E)         | 28 802                   | 0.007     |
| 19 200                  | 52 (16'h0034)      | 5 (6'h05)          | 19 201                   | 0.005     |
| 9 600                   | 104 (16'h0068)     | 11 (6'h0B)         | 9 599                    | - 0.010   |
| 2 400                   | 416 (16'h01A0)     | 43 (6'h2B)         | 2 399                    | - 0.042   |
| 1 200                   | 833 (16'h04B0)     | 21 (6'h15)         | 1 200                    | 0         |
| 300                     | 3333 (16'h0D05)    | 21 (6'h15)         | 300                      | 0         |
| 110                     | 9090 (16'h2382)    | 58 (6'h3A)         | 110                      | 0         |

**Table 67: Typical baud rates with OVSFACT = 1**

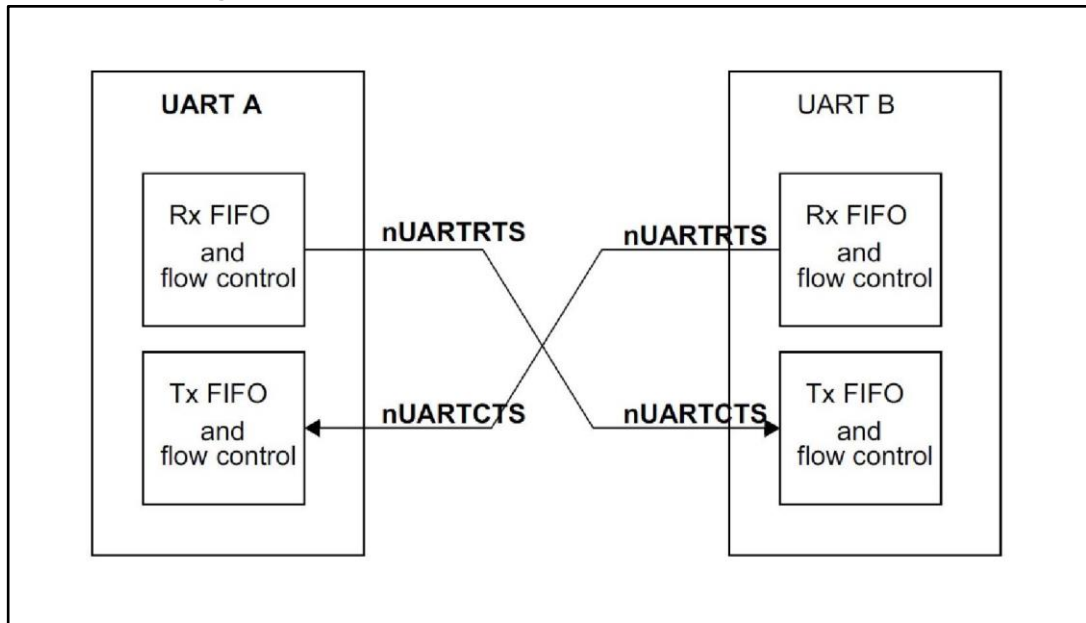
| Required bit rate (bps) | Programmed divisor |                    | Generated bit rate (bps) | Error (%) |
|-------------------------|--------------------|--------------------|--------------------------|-----------|
|                         | Integer (DIVINT)   | Fraction (DIVFRAC) |                          |           |
| 1 843 200               | 1 (16'h0001)       | 5 (6'h05)          | 1 855 115                | 0.646     |
| 921 600                 | 2 (16'h0002)       | 11 (6'h0B)         | 920 895                  | - 0.076   |
| 460 800                 | 4 (16'h0004)       | 22 (6'h16)         | 461 436                  | - 0.079   |
| 230 400                 | 8 (16'h0008)       | 44 (6'h2C)         | 230 215                  | - 0.080   |
| 115 200                 | 17 (16'h0011)      | 23 (6'h17)         | 115 212                  | 0.010     |
| 57 600                  | 34 (16'h0022)      | 46 (6'h2E)         | 57 605                   | 0.009     |
| 38 400                  | 52 (16'h0034)      | 5 (6'h05)          | 38 403                   | 0.008     |
| 28800                   | 69 (16'h0045)      | 28 (6'h1C)         | 28 802                   | 0.007     |
| 19 200                  | 104 (16'h0068)     | 11 (6'h0B)         | 19 199                   | - 0.005   |
| 9 600                   | 208 (16'h00D0)     | 21 (6'h15)         | 9 600                    | 0         |

| Required bit rate (bps) | Programmed divisor |                    | Generated bit rate (bps) | Error (%) |
|-------------------------|--------------------|--------------------|--------------------------|-----------|
|                         | Integer (DIVINT)   | Fraction (DIVFRAC) |                          |           |
| 2 400                   | 833 (16'h0341)     | 21 (6'h15)         | 2 400                    | 0         |
| 1 200                   | 1666 (16'h0682)    | 43 (6'h2B)         | 1 199                    | -0.083    |
| 300                     | 6666 (16'h1A0A)    | 43 (6'h2B)         | 299                      | -0.333    |
| 110                     | 18181 (16'h4705)   | 52 (6'h34)         | 110                      | 0         |

### 3.9.2.3 Hardware flow control

The hardware flow controls feature is fully selectable through RTSEN and CTSEN in UARTCR register, and allows to control the serial data flow by using the UART\_RTS output and UART\_CTS input signals.

Figure 14: Hardware flow control between two similar devices



When the RTS flow control is enabled, the UART\_RTS signal is asserted until the receive FIFO is filled up to the programmed watermark level. When the CTS flow control is enabled, the transmitter can only transmit data when the UART\_CTS signal is asserted.

Table 68: Control bits to enable and disable hardware flow control

| CTSEN | RTSEN | Function                                |
|-------|-------|-----------------------------------------|
| 0b    | 0b    | Both RTS and CTS flow control disabled. |
| 0b    | 1b    | Only RTS flow control enabled.          |
| 1b    | 0b    | Only CTS flow control enabled.          |
| 1b    | 1b    | Both RTS and CTS flow control enabled.  |

The RTS flow control logic is linked to the programmable receive FIFO watermark levels. When RTS flow control is enabled, the UART\_RTS is asserted until the receive FIFO is

filled up to the watermark level. When the receive FIFO watermark level is reached, the UART\_RTS signal is de-asserted, indicating that there is no more room to receive any more data. The transmission of data is expected to cease after the current character has been transmitted. The UART\_RTS signal is reasserted when data has been read out of the receive FIFO so that it is filled to less than the watermark level. If RTS flow control is disabled and the UART is still enabled, then data is received until the receive FIFO is full, or no more data is transmitted to it.

If CTS flow control is enabled, then the transmitter checks the UART\_CTS signal before transmitting the next byte. If the UART\_CTS signal is asserted, it transmits the byte otherwise, transmission does not occur. The data continues to be transmitted while UART\_CTS is asserted, and the transmit FIFO is not empty. If the transmit FIFO is empty and the UART\_CTS signal is asserted no data is transmitted. If the UART\_CTS signal is de-asserted and CTS flow control is enabled, then the current character transmission is completed before stopping. If CTS flow control is disabled and the UART is enabled, then the data continues to be transmitted until the transmit FIFO is empty.

### 3.9.2.4 Software flow control

Software flow control is enabled through register UART\_XFCR bit SFEN.

#### Software receive flow control

Once the software receive flow control is enabled, the receiver compares the incoming data with the programmed Xoff values. Different combinations of software receive flow control, which can be selected through SFRMOD, where only 1 character match is needed or in which 2 Xoff characters must be received sequentially.

**Table 69: Control bits to enable and program receive software flow control**

| SFSEN | SFRMOD | Function                                     |
|-------|--------|----------------------------------------------|
| 0b    | xxb    | Software flow control disabled.              |
| 1b    | 00b    | Software receive flow control disabled.      |
| 1b    | 01b    | Use Xon1, Xoff1 for matching.                |
| 1b    | 10b    | Use Xon2, Xoff2 for matching.                |
| 1b    | 11b    | Use Xon1 & Xon2, Xoff1 & Xoff2 for matching. |

If received characters match the programmed Xoff values, the transmission stops as soon as the current character is completely transferred. The interrupt bit XOFFRIS in the raw interrupt register UART\_RIS is set. If the corresponding interrupt mask bit is set, the corresponding bit in the UART\_MIS register is set and the UART interrupt pin is asserted. Following such a transmission suspension, the receiver will monitor incoming characters for a match with the programmed Xon values. The matching strategy is programmable through SWRFCPROG in register UART\_XFCR. Once a match is found, the receiver clears the interrupt bit XOFFRIS in the raw interrupt register UART\_RIS and the Xoff interrupt is disabled. The transmission can then resume normally. When the XONANY bit in register UART\_XFCR is set, any incoming character is accepted as a valid Xon condition and the transmission can then resume. The received character is written into the received FIFO.



If the software flow control is enabled, the received Xon/Xoff characters are never written into the received FIFO. Exceptions to this occur when the special character detection feature is enabled (Xoff2 is then written into FIFO upon a special character match) and when the Xon-any bit is set.





The received status (parity, framing and break error) of Xon/Xoff characters does not have to be valid for these characters to be accepted as valid matches.

When the software transmit flow control is enabled through the SFTMOD bit field in the UART\_XFCR register, the transmitter will automatically insert an Xoff character if the received FIFO has passed the received trigger level (bit field RXIFLSEL in the UART\_IFLS register). The RTXDIS (remote transmitter disabled) bit in the UART\_FR register is set to signal the remote transfer was stopped. When the receive FIFO falls below the trigger level, Xon character is automatically inserted in the transmission stream and the RTXDIS bit in the UART\_FR register is cleared.

**Table 70: Control bits to enable and program transmit software flow control**

| SFSEN | SFTMOD | Function                                         |
|-------|--------|--------------------------------------------------|
| 0b    | xxb    | Software flow control disabled.                  |
| 1b    | 00b    | Software transmit flow control disabled.         |
| 1b    | 01b    | Use Xon1, Xoff1 for matching.                    |
| 1b    | 10b    | Use Xon2, Xoff2 for matching.                    |
| 1b    | 11b    | Use Xon1 and Xon2, Xoff1 and Xoff2 for matching. |



After Xoff character has been transmitted, if the software flow controlled is turned off, a Xon character is automatically be inserted in the transmission stream and the bit RTXDIS bit in the UART\_FR register is cleared.



Transmission of Xon/Xoff character follows the standard transmission protocol as programmed in the transmitter registers (word length, parity and so on).



When using the software transmit flow control, there are some cautions to take to manage the interrupt handler. The software must react on RX interrupt (the flag is raised once the RX FIFO contains the RXIFSEL trigger level. Then the interrupt handler must first poll the UART\_FR.RTXDIS bit until it is set to indicate the Xoff byte transmission is over and only then read the RX FIFO content. Note that hardware and software flow control cannot be enabled simultaneously.

### Software transmit flow control

When the special character detection feature is enabled through the SPECHAR bit in the UART\_XFCR register, the software flow control is turned off and the receiver compares received characters with the Xoff2 value. When a match is found, the interrupt bit XOFFRIS in the raw interrupt register UART\_RIS is set. If the corresponding interrupt mask bit is set, the UART interrupt pin is asserted. The transmission is not halted. The special character is written into the received FIFO. The interrupt bit XOFFIS will be cleared when the corresponding bit in interrupt clear register is written as 1b.



It is assumed that software flow control is turned off when this feature is used. The received status (i.e. parity, framing and break error) of special characters does not have to be valid for these characters to be accepted as valid matches.

### 3.9.2.5 UART interrupts

There are six individual maskable interrupt sources generated by the UART (single interrupt signal that drives the NVIC):

- TX FIFO empty interrupt
- Xoff/ special character interrupt
- Receive interrupt
- Transmit interrupt
- Timeout interrupt
- Error interrupt

The user can enable or disable the individual interrupt sources by changing the mask bits in the UART\_IMSC register. Setting the appropriate mask bit to 1b enables the interrupt. The status of the individual interrupt sources can be read from the UART\_RIS register (raw interrupt status) or from the UART\_MIS register (masked interrupt status).

### 3.9.2.6 TX FIFO empty interrupt

The TX FIFO empty interrupt is asserted whenever the BUSY status bit goes low to indicate that all DATA has been transmitted. This BUSY bit remains set until the complete byte, including all the stop bits, has been sent from the shift register. So, the new TX FIFO empty interrupt is asserted when the transmit FIFO and the transmit shift register are empty.

### 3.9.2.7 Xoff/ special character interrupt

The Xoff/special character interrupt is asserted whenever Xoff condition is detected by the receiver (incoming data matches with the programmable Xoff values), or when a special character detection was performed (incoming data matches with the Xoff2 and SPECHAR bit set).

### 3.9.2.8 Receive interrupt

The receive interrupt is asserted HIGH when one of the following conditions occurs:

- If the FIFOs are enabled and the number of characters received reaches the programmed trigger watermark level. The receive interrupt is cleared by reading data from the receive FIFO until it becomes less than the programmed watermark level, or by clearing the interrupt by writing a 1b to the corresponding bit in the UART\_ICR register.
- If the FIFOs are disabled (have a depth of one location) and there is a data present in the receiver single location. It is cleared by performing a single read.

### 3.9.2.9 Transmit interrupt

The transmit interrupt is asserted HIGH when one of the following conditions occurs:

- If the FIFOs are enabled and the number of characters in the transmit FIFO is less than the programmed watermark level. It is cleared by performing writes to the transmit FIFO until it holds more characters than the programmed watermark level, or by clearing the interrupt by software.

- If the FIFOs are disabled (have a depth of one location) and there is no data present in the transmitter single location. It is cleared by performing a single write to the transmit FIFO, or by clearing the interrupt by software.



The transmit FIFO service interrupt is based on a transition through a level, rather than on the level itself. When the interrupt and the UART are enabled before any data is written to the transmit FIFO, the interrupt is not set. The interrupt is only set once written data leaves the single location of the transmit FIFO and it becomes empty.



When the TX FIFO is disabled, the DATA can be written on the bottom of the FIFO during the transmission of a previous DATA, or in another words, when the holding register is busy.



The interrupt is de-asserted when we write the next DATA on the bottom of the TX FIFO. If we write DATA only on the holding register and the bottom of the TX FIFO is empty, the only way to clear the interrupt is by the software.

### 3.9.2.10 Timeout interrupt

The receive timeout interrupt is asserted when the receive FIFO is not empty, and no further data is received (or no correct start bit of a frame is detected in the RX line) over a programmable timeout period. This mechanism ensures that the user is aware that data is still present in the receive FIFO and requires servicing. The receive timeout interrupt is cleared either when the FIFO becomes empty through reading all the data (or by reading the holding register), or when a 1b is written to the corresponding bit of the UART\_ICR register.

### 3.9.2.11 Error interrupt

The error interrupt is asserted when an error occurs in the reception of data by the UART. The interrupt can be caused by the following error conditions:

- Framing
- Parity
- Break
- Overrun

The cause of the interrupt is available by reading the UART\_RIS or UART\_MIS registers. The interrupt can be cleared by writing to the relevant bits of the UART\_ICR register.

## 3.9.3 UART registers

UART peripheral base address (UART\_BASE\_ADDR) 0x40300000.

Table 71: UART registers

| Address offset | Name    | RW | Reset      | Description                                                                                                               |
|----------------|---------|----|------------|---------------------------------------------------------------------------------------------------------------------------|
| 0x00           | DR      | RW | 0x00000000 | Data register. Refer to the detailed description below.                                                                   |
| 0x04           | RSR     | R  | 0x00000000 | Receive status register. Refer to the detailed description below.                                                         |
| 0x04           | ECR     | W  | 0x00000000 | Error clear register. A write to this register clears the framing (FE), parity (PE), break (BE), and overrun (OE) errors. |
| 0x0C           | TIMEOUT | RW | 0x000001FF | Timeout register. Refer to the detailed description below.                                                                |
| 0x18           | FR      | R  | 0x00001E90 | Flag register. Refer to the detailed description below.                                                                   |
| 0x1C           | LCRH_RX | RW | 0x00000000 | Receive line control register. Refer to the detailed description below.                                                   |
| 0x24           | IBRD    | RW | 0x00000000 | Integer baud rate register. Refer to the detailed description below.                                                      |
| 0x28           | FBRD    | RW | 0x00000000 | Fractional baud rate register. Refer to the detailed description below.                                                   |
| 0x2C           | LCRH_TX | RW | 0x00000000 | Transmit line control register. Refer to the detailed description below.                                                  |
| 0x30           | CR      | RW | 0x00040300 | Control register. Refer to the detailed description below.                                                                |
| 0x34           | IFLS    | RW | 0x00000012 | Interrupt FIFO level select register. Refer to the detailed description below.                                            |
| 0x38           | IMSC    | RW | 0x00000000 | Interrupt mask set/clear register. Refer to the detailed description below.                                               |
| 0x3C           | RIS     | R  | 0x00000000 | Raw interrupt status register. Refer to the detailed description below.                                                   |
| 0x40           | MIS     | R  | 0x00000000 | Masked interrupt status register. Refer to the detailed description below.                                                |
| 0x44           | ICR     | W  | 0x00000000 | Interrupt clear register. Refer to the detailed description below.                                                        |
| 0x48           | DMACR   | RW | 0x00000000 | DMA control register. Refer to the detailed description below.                                                            |
| 0x50           | XFCR    | RW | 0x00000000 | XON/XOFF control register. Refer to the detailed description below.                                                       |
| 0x54           | XON1    | RW | 0x00000000 | Register used to store the Xon1 character used for software flow control. Refer to the detailed description below.        |
| 0x58           | XON2    | RW | 0x00000000 | Register used to store the Xon2 character used for software flow control. Refer to the detailed description below.        |
| 0x5C           | XOFF1   | RW | 0x00000000 | Register used to store the Xoff1 character used for software flow control. Refer to the detailed description below.       |

| Address offset | Name  | RW | Reset      | Description                                                                                                         |
|----------------|-------|----|------------|---------------------------------------------------------------------------------------------------------------------|
| 0x60           | XOFF2 | RW | 0x00000000 | Register used to store the Xoff2 character used for software flow control. Refer to the detailed description below. |

Table 72: UART - DR register description: address offset UART\_BASE\_ADDR+0x00

| Bit   | Field name | Reset | RW | Description                                                                                                                                                                                                                                                                                                                                                                                                                                                                                                         |
|-------|------------|-------|----|---------------------------------------------------------------------------------------------------------------------------------------------------------------------------------------------------------------------------------------------------------------------------------------------------------------------------------------------------------------------------------------------------------------------------------------------------------------------------------------------------------------------|
| 7:0   | DATA       | 0x0   | RW | UART data register:<br>Receive: read data character.<br>Transmit: write data character.                                                                                                                                                                                                                                                                                                                                                                                                                             |
| 8     | FE         | 0x0   | R  | Frame error. This bit is set to 1 if the received character did not have a valid stop bit. In FIFO mode, this error is associated with the character at the top of the FIFO.                                                                                                                                                                                                                                                                                                                                        |
| 9     | PE         | 0x0   | R  | Parity error. This bit is set to 1 if the parity of the received data character does not match the parity selected as defined by bits 2 and 7 of the LCRH_RX register. In FIFO mode, this error is associated with the character at the top of the FIFO.                                                                                                                                                                                                                                                            |
| 10    | BE         | 0x0   | R  | Break error. This bit is set to 1 if a break condition was detected, indicating that the received data input was held low for longer than a full-word transmission time (defined as start, data, parity and stop bits). In FIFO mode, this error is associated with the character at the top of the FIFO. When a break occurs, only one 0 character is loaded into the FIFO. The next character is only enabled after the receive data input goes to HIGH (marking state), and the next valid start bit is received |
| 11    | OE         | 0x0   | R  | Overrun error. This bit is set to 1 if data is received and the receive FIFO is already full. This is cleared to 0b once there is an empty space in the FIFO and a new character can be written to it. The FIFO content remains valid since no further data is written when the FIFO is full, only the content of the shift register is overwritten.                                                                                                                                                                |
| 31:12 | RESERVED   | 0x0   | R  | RESERVED                                                                                                                                                                                                                                                                                                                                                                                                                                                                                                            |

Table 73: UART - RSR register description: address offset UART\_BASE\_ADDR+0x04

| Bit | Field name | Reset | RW | Description                                                                                                                                                                                                                                                                                              |
|-----|------------|-------|----|----------------------------------------------------------------------------------------------------------------------------------------------------------------------------------------------------------------------------------------------------------------------------------------------------------|
| 0   | FE         | 0x0   | R  | Frame error. This bit is set to 1 if the received character did not have a valid stop bit (a valid stop bit is 1). This bit is cleared to 0b after a write to ECR. In FIFO mode, this error is associated with the character at the top of the FIFO.                                                     |
| 1   | PE         | 0x0   | R  | Parity error. This bit is set to 1 if the parity of the received data character does not match the parity selected as defined by bits 2 and 7 of the LCRH_RX register. This bit is cleared to 0b after a write to ECR. In FIFO mode, this error is associated with the character at the top of the FIFO. |

| Bit  | Field name | Reset | RW | Description                                                                                                                                                                                                                                                                                                                                                                                                                                                                                                                                                          |
|------|------------|-------|----|----------------------------------------------------------------------------------------------------------------------------------------------------------------------------------------------------------------------------------------------------------------------------------------------------------------------------------------------------------------------------------------------------------------------------------------------------------------------------------------------------------------------------------------------------------------------|
| 2    | BE         | 0x0   | R  | Break error. This bit is set to 1 if a break condition was detected, indicating that the received data input was held low for longer than a full-word transmission time (defined as start, data, parity and stop bits). This bit is cleared to 0b after a write to ECR. In FIFO mode, this error is associated with the character at the top of the FIFO. When a break occurs, only one 0 character is loaded into the FIFO. The next character is only enabled after the receive data input goes to HIGH (marking state), and the next valid start bit is received. |
| 3    | OE         | 0x0   | R  | Overrun error. This bit is set to 1 if data is received and the receive FIFO is already full. This is cleared to 0 by a write to ECR (data value is not important). The FIFO contents remain valid since no further data is written when the FIFO is full, only the content of the shift register are overwritten. The CPU or DMA must now read the data in order to empty the FIFO.                                                                                                                                                                                 |
| 31:4 | RESERVED   | 0x0   | R  | RESERVED                                                                                                                                                                                                                                                                                                                                                                                                                                                                                                                                                             |

**Table 74: UART - TIMEOUT register description: address offset UART\_BASE\_ADDR+0x0C**

| Bit   | Field name | Reset | RW | Description                                                                                                                                                                                                                                                                                                                                                                                                                                                                                                             |
|-------|------------|-------|----|-------------------------------------------------------------------------------------------------------------------------------------------------------------------------------------------------------------------------------------------------------------------------------------------------------------------------------------------------------------------------------------------------------------------------------------------------------------------------------------------------------------------------|
| 21:0  | PERIOD     | 0x1FF | RW | Timeout period configuration. This bit field contains the timeout period for the UART timeout interrupt assertion. The receive timeout interrupt is asserted when the receive FIFO is not empty and no further data is received over a programmed timeout period. The duration before the timeout interrupt assert is calculated by the following formula:<br>$\text{timeout} = \text{PERIOD} / (\text{OverSamplingFactor} * \text{BaudRate})$ Where OverSamplingFactor is:<br>16 if OVSFACT is 0<br>8 if OVSFACT is 1. |
| 31:22 | RESERVED   | 0x0   | RW | RESERVED                                                                                                                                                                                                                                                                                                                                                                                                                                                                                                                |

**Table 75: UART - FR register description: address offset UART\_BASE\_ADDR+0x18**

| Bit | Field name | Reset | RW | Description                                                                                                                                                                                                                                                                                                                                                                                                                                                                                                                            |
|-----|------------|-------|----|----------------------------------------------------------------------------------------------------------------------------------------------------------------------------------------------------------------------------------------------------------------------------------------------------------------------------------------------------------------------------------------------------------------------------------------------------------------------------------------------------------------------------------------|
| 0   | CTS        | 0x0   | R  | Clear to send.                                                                                                                                                                                                                                                                                                                                                                                                                                                                                                                         |
| 2:1 | RESERVED   | 0x0   | R  | RESERVED                                                                                                                                                                                                                                                                                                                                                                                                                                                                                                                               |
| 3   | BUSY       | 0x0   | R  | UART Busy. If this bit is set to 1, the UART is busy transmitting data. This bit remains set until the complete byte, including all the stop bits, has been sent from the shift register. However, if the transmit section of the UART is disabled in the middle of a transmission, the BUSY bit gets cleared. This bit is set again once the transmit section is re-enabled to complete the remaining transmission. This bit is set as soon as the transmit FIFO becomes nonempty (regardless of whether the UART is enabled or not). |
| 4   | RXFE       | 0x1   | R  | Receive FIFO empty. If the FIFO is disabled (bit FEN = 0b), this bit is set when the receive holding register is empty. If the FIFO is enabled (FEN = 1b), the RXFE bit is set when the receive FIFO is empty.                                                                                                                                                                                                                                                                                                                         |

| Bit   | Field name | Reset | RW | Description                                                                                                                                                                                                                                                                    |
|-------|------------|-------|----|--------------------------------------------------------------------------------------------------------------------------------------------------------------------------------------------------------------------------------------------------------------------------------|
| 5     | TXFF       | 0x0   | R  | Transmit FIFO full. If the FIFO is disabled (bit FEN = 0b), this bit is set when the transmit holding register is full. If the FIFO is enabled (FEN = 1b), the TXFF bit is set when the transmit FIFO is full.                                                                 |
| 6     | RXFF       | 0x0   | R  | Receive FIFO full. If the FIFO is disabled (bit FEN = 0b), this bit is set when the receive holding register is full. If the FIFO is enabled (FEN = 1b), the RXFF bit is set when the receive FIFO is full.                                                                    |
| 7     | TXFE       | 0x1   | R  | Transmit FIFO empty. If the FIFO is disabled (bit FEN = 0b), this bit is set when the transmit holding register is empty. If the FIFO is enabled (FEN = 1b), the TXFE bit is set when the transmit FIFO is empty.                                                              |
| 8     | RESERVED   | 0x0   | R  | RESERVED                                                                                                                                                                                                                                                                       |
| 9     | DCTS       | 0x1   | R  | Delta clear to send. This bit is set CTS changes since the last read of the FR register.                                                                                                                                                                                       |
| 12:10 | RESERVED   | 0x7   | R  | RESERVED                                                                                                                                                                                                                                                                       |
| 13    | RTXDIS     | 0x0   | R  | Remote transmitter disabled (software flow control). This bit indicates an Xoff character was sent to the remote transmitter to stop it after the received FIFO has passed over its trigger limit. This bit is cleared when a Xon character is sent to the remote transmitter. |
| 31:14 | RESERVED   | 0x0   | R  | RESERVED                                                                                                                                                                                                                                                                       |

Table 76: UART - LCRH\_RX register description: address offset UART\_BASE\_ADDR+0x1C

| Bit | Field name | Reset | RW | Description                                                                                                                                                                                                                                                                                                                       |
|-----|------------|-------|----|-----------------------------------------------------------------------------------------------------------------------------------------------------------------------------------------------------------------------------------------------------------------------------------------------------------------------------------|
| 0   | RESERVED   | 0x0   | RW | RESERVED                                                                                                                                                                                                                                                                                                                          |
| 1   | PEN_RX     | 0x0   | RW | RX parity enable:<br>0: Parity disabled.<br>1: Parity enabled.                                                                                                                                                                                                                                                                    |
| 2   | EPS_RX     | 0x0   | RW | RX even parity selection, when the parity is enabled.<br>0: Odd parity generation and checking is performed during reception, which check for an odd number of 1s in data and parity bits.<br>1: Even parity generation and checking is performed during reception, which check for an even number of 1s in data and parity bits. |
| 3   | STP2_RX    | 0x0   | RW | RX two stop bits select. This bit enables the check for two stop bits being received:<br>0: 1 stop bit received.<br>1: 2 stop bits received.                                                                                                                                                                                      |
| 4   | FEN_RX     | 0x0   | RW | RX enable FIFOs. This bit enables/disables the receive RX FIFO buffer:<br>0: RX FIFO is disabled (character mode).<br>1: RX FIFO is enabled.                                                                                                                                                                                      |

| Bit  | Field name | Reset | RW | Description                                                                                                                                                                                                                                   |
|------|------------|-------|----|-----------------------------------------------------------------------------------------------------------------------------------------------------------------------------------------------------------------------------------------------|
| 6:5  | WLEN_RX    | 0x0   | RW | RX word length. This bit field indicates the number of data bits received in a frame as follows:<br>00b: 5 bits.<br>01b: 6 bits.<br>10b: 7 bits.<br>11b: 8 bits.                                                                              |
| 7    | SPS_RX     | 0x0   | RW | RX stick parity select:<br>0: stick parity is disabled.<br>1: when PEN_RX = 1b (parity enabled) and EPS_RX = 1b (even parity), the parity is checked as a 0. When PEN_RX = 1b and EPS_RX = 0b (odd parity), the parity bit is checked as a 1. |
| 31:8 | RESERVED   | 0x0   | RW | RESERVED                                                                                                                                                                                                                                      |

**Table 77: UART - IBRD register description: address offset UART\_BASE\_ADDR+0x24**

| Bit   | Field name | Reset | RW | Description                                                                                                                                                                                                                                                                                                                                                                                                                                                                                                                                                              |
|-------|------------|-------|----|--------------------------------------------------------------------------------------------------------------------------------------------------------------------------------------------------------------------------------------------------------------------------------------------------------------------------------------------------------------------------------------------------------------------------------------------------------------------------------------------------------------------------------------------------------------------------|
| 15:0  | DIVINT     | 0x0   | RW | Baud rate integer. The baud rate divisor is calculated as follows:<br>When OVSFACT = 0b in the CR register: Baud rate divisor = (Frequency (UARTCLK)/(16*Baud rate))<br>When OVSFACT = 1b in CR register: Baud rate divisor = (Frequency (UARTCLK)/(8*Baud rate))<br>where frequency (UARTCLK) is the UART reference clock frequency. The baud rate divisor comprises the integer value (DIVINT) and the fractional value (DIVFRAC). The contents of the IBRD and FBRD registers are not updated until transmission or reception of the current character has completed. |
| 31:16 | RESERVED   | 0x0   | RW | RESERVED                                                                                                                                                                                                                                                                                                                                                                                                                                                                                                                                                                 |

**Table 78: UART - FBRD register description: address offset UART\_BASE\_ADDR+0x28**

| Bit  | Field name | Reset | RW | Description                                                                                                                                                                                                                                                                                                                                                                                                                                                                                                                                                                                  |
|------|------------|-------|----|----------------------------------------------------------------------------------------------------------------------------------------------------------------------------------------------------------------------------------------------------------------------------------------------------------------------------------------------------------------------------------------------------------------------------------------------------------------------------------------------------------------------------------------------------------------------------------------------|
| 5:0  | DIVFRAC    | 0x0   | RW | Baud rate fraction. Baud rate integer. The baud rate divisor is calculated as follows:<br>When OVSFACT = 0b in the CR register: Baud rate divisor = (Frequency (UARTCLK)/(16*Baud rate))<br>When OVSFACT = 1b in CR register: Baud rate divisor = (frequency (UARTCLK)/(8*Baud rate))<br>where frequency (UARTCLK) is the UART reference clock frequency. The baud rate divisor comprises the integer value (DIVINT) and the fractional value (DIVFRAC). The contents of the IBRD and FBRD registers are not updated until transmission or reception of the current character has completed. |
| 31:6 | RESERVED   | 0x0   | RW | RESERVED                                                                                                                                                                                                                                                                                                                                                                                                                                                                                                                                                                                     |



Table 79: UART - LCRH\_TX register description: address offset UART\_BASE\_ADDR+0x2C

| Bit  | Field name | Reset | RW | Description                                                                                                                                                                                                                                                                                                                                                                                                                                              |
|------|------------|-------|----|----------------------------------------------------------------------------------------------------------------------------------------------------------------------------------------------------------------------------------------------------------------------------------------------------------------------------------------------------------------------------------------------------------------------------------------------------------|
| 0    | BRK        | 0x0   | RW | Send break. This bit allows a continuous low-level to be forced on TX output, after completion of the current character. This bit must be asserted for at least one complete frame transmission time in order to generate a break condition. The transmit FIFO contents remain unaffected during a break condition.<br>0: Normal transmission.<br>1: Break condition transmission.                                                                       |
| 1    | PEN_TX     | 0x0   | RW | TX parity enable:<br>0: Parity disabled.<br>1: Parity Enable.                                                                                                                                                                                                                                                                                                                                                                                            |
| 2    | EPS_TX     | 0x0   | RW | TX even parity select. This bit selects the parity generation, when the parity is enabled (PEN_TX = 1b). This bit has no effect when parity is disabled (PEN_TX = 0b).<br>0: Odd parity generation and checking is performed during transmission, which check for an odd number of 1s in data and parity bits.<br>1: Even parity generation and checking is performed during transmission, which check for an even number of 1s in data and parity bits. |
| 3    | STP2_TX    | 0x0   | RW | TX two stop bits select. This bit enables the check for two stop bits being received:<br>0: 1 stop bit received.<br>1: 2 stop bits received.                                                                                                                                                                                                                                                                                                             |
| 4    | FEN_TX     | 0x0   | RW | TX Enable FIFO. This bit enables/disables the transmit TX FIFO buffer:<br>0: TX FIFO is disabled (character mode), i.e. the TX FIFO becomes a 1-byte deep holding register.<br>1: TX FIFO is enabled.                                                                                                                                                                                                                                                    |
| 6:5  | WLEN_TX    | 0x0   | RW | TX word length. This bit field indicates the number of data bits transmitted in a frame as follows:<br>00b: 5 bits.<br>01b: 6 bits.<br>10b: 7 bits.<br>11b: 8 bits.                                                                                                                                                                                                                                                                                      |
| 7    | SPS_TX     | 0x0   | RW | TX stick parity check:<br>0: stick parity disable.<br>1: when PEN_TX = 1b (parity enabled) and EPS_TX = 1b (even parity), the parity is transmitted as a 0. When PEN_TX = 1b and EPS_TX = 0b (odd parity), the parity bit is transmitted as a 1.                                                                                                                                                                                                         |
| 31:8 | RESERVED   | 0x0   | RW | RESERVED                                                                                                                                                                                                                                                                                                                                                                                                                                                 |

**Table 80: UART - CR register description: address offset UART\_BASE\_ADDR+0x30**

| Bit   | Field name     | Reset | RW | Description                                                                                                                                                                                                                                                                                                                                                                                                                                                                                                                                                                          |
|-------|----------------|-------|----|--------------------------------------------------------------------------------------------------------------------------------------------------------------------------------------------------------------------------------------------------------------------------------------------------------------------------------------------------------------------------------------------------------------------------------------------------------------------------------------------------------------------------------------------------------------------------------------|
| 0     | EN             | 0x0   | RW | UART enable. This bit enables the UART.<br>0: UART is disabled.<br>1: UART is enabled. Data transmission and reception can occur. When the UART is disabled in the middle of transmission or reception, it completes the current character before stopping.                                                                                                                                                                                                                                                                                                                          |
| 2:1   | RESERVED       | 0x0   | RW | RESERVED                                                                                                                                                                                                                                                                                                                                                                                                                                                                                                                                                                             |
| 3     | OVSFACT        | 0x0   | RW | UART oversampling factor. This bit enables the UART oversampling factor. If UARTCLK is 16 MHz thus max. baudrate is 1 Mbaud when OVSFACT = 0b, and 2 Mbaud when OVSFACT = 1b.<br>0: UART it is 16 UARTCLK clock cycles.<br>1: UART it is 8 UARTCLK clock cycles.                                                                                                                                                                                                                                                                                                                     |
| 7:4   | RESERVED       | 0x0   | RW | RESERVED                                                                                                                                                                                                                                                                                                                                                                                                                                                                                                                                                                             |
| 8     | TXE            | 0x1   | RW | Transmit enable.<br>0b: UART TX disabled.<br>1b: UART TX enabled.                                                                                                                                                                                                                                                                                                                                                                                                                                                                                                                    |
| 9     | RXE            | 0x1   | RW | Receive enable.<br>0b: UART RX disabled.<br>1b: UART RX enabled.                                                                                                                                                                                                                                                                                                                                                                                                                                                                                                                     |
| 10    | RESERVED       | 0x0   | RW | RESERVED                                                                                                                                                                                                                                                                                                                                                                                                                                                                                                                                                                             |
| 11    | RTS            | 0x0   | RW | Request to send.<br>0: RTS is high.<br>1: RTS is low.                                                                                                                                                                                                                                                                                                                                                                                                                                                                                                                                |
| 13:12 | RESERVED       | 0x0   | RW | RESERVED                                                                                                                                                                                                                                                                                                                                                                                                                                                                                                                                                                             |
| 14    | RTSEN          | 0x0   | RW | RTS hardware flow control enable.<br>0b: RTS disabled.<br>1b: RTS enabled. Data is only requested when there is space in the receive FIFO for it to be received.                                                                                                                                                                                                                                                                                                                                                                                                                     |
| 15    | CTSEN          | 0x0   | RW | CTS hardware flow control enable.<br>0b: CTS disabled.<br>1b: CTS enabled. Data is only transmitted when the CTS is asserted.                                                                                                                                                                                                                                                                                                                                                                                                                                                        |
| 19:16 | STA_B_DURATION | 0x4   | RW | START bit duration receiver state. These bits can be used to configure the START bit duration (in clock cycles) to get the bit sampled in the middle of the UART receiver. These bits can be used only when using high baud rates (IBRD = 1, FBRD ≥ 0 and OVSFACT = 1). Below the formula to calculate the START bit duration receiver state:<br>$STA\_B\_DURATION = \text{Integer}(\text{Fuartclk}/(2 * \text{BAUD RATE})) - 1$<br>Example: when UARTCLK = 16 MHz and BAUD RATE = 2.0 Mbps then STA_B_DURATION = 4 - 1 = 3. STA_B_DURATION field should be configured with 4'b0011. |



| Bit   | Field name | Reset | RW | Description |
|-------|------------|-------|----|-------------|
| 31:20 | RESERVED   | 0x0   | RW | RESERVED    |

Table 81: UART - IFLS register description: address offset UART\_BASE\_ADDR+0x34

| Bit  | Field name | Reset | RW | Description                                                                                                                                                                                                                                                                                                                                                                                                                                        |
|------|------------|-------|----|----------------------------------------------------------------------------------------------------------------------------------------------------------------------------------------------------------------------------------------------------------------------------------------------------------------------------------------------------------------------------------------------------------------------------------------------------|
| 2:0  | TXIFLSEL   | 0x2   | RW | Transmit interrupt FIFO level select. This bit field selects the trigger points for TX FIFO interrupt:<br>000b: Interrupt when FIFO $\geq$ 1/64 empty.<br>001b: Interrupt when FIFO $\geq$ 1/32 empty.<br>010b: Interrupt when FIFO $\geq$ 1/16 empty.<br>011b: Interrupt when FIFO $\geq$ 1/8 empty.<br>100b: Interrupt when FIFO $\geq$ 1/4 empty.<br>101b: Interrupt when FIFO $\geq$ 1/2 empty.<br>110b: Interrupt when FIFO $\geq$ 3/4 empty. |
| 5:3  | RXIFLSEL   | 0x2   | RW | Receive interrupt FIFO level select. This bit field selects the trigger points for RX FIFO interrupt:<br>000b: Interrupt when FIFO $\geq$ 1/64 full.<br>001b: Interrupt when FIFO $\geq$ 1/32 full.<br>010b: Interrupt when FIFO $\geq$ 1/16 full.<br>011b: Interrupt when FIFO $\geq$ 1/8 full.<br>100b: Interrupt when FIFO $\geq$ 1/4 full.<br>101b: Interrupt when FIFO $\geq$ 1/2 full.<br>110b: Interrupt when FIFO $\geq$ 3/4 full.         |
| 31:6 | RESERVED   | 0x0   | RW | RESERVED                                                                                                                                                                                                                                                                                                                                                                                                                                           |

Table 82: UART - IMSC register description: address offset UART\_BASE\_ADDR+0x38

| Bit | Field name | Reset | RW | Description                                                                                                                                                                                      |
|-----|------------|-------|----|--------------------------------------------------------------------------------------------------------------------------------------------------------------------------------------------------|
| 0   | RESERVED   | 0x0   | RW | RESERVED                                                                                                                                                                                         |
| 1   | CTSMIM     | 0x0   | RW | Clear to send modem interrupt mask. On a read, the current mask for the CTSMIM interrupt is returned.<br>0: Clears the mask (interrupt is disabled).<br>1: Sets the mask (interrupt is enabled). |
| 3:2 | RESERVED   | 0x0   | RW | RESERVED                                                                                                                                                                                         |
| 4   | RXIM       | 0x0   | RW | Receive interrupt mask. On a read, the current mask for the RXIM interrupt is returned.<br>0: Clears the mask (interrupt is disabled).<br>1: Sets the mask (interrupt is enabled).               |
| 5   | TXIM       | 0x0   | RW | Transmit interrupt mask. On a read, the current mask for the TXIM interrupt is returned.<br>0: Clears the mask (interrupt is disabled).<br>1: Sets the mask (interrupt is enabled).              |
| 6   | RTIM       | 0x0   | RW | Receive timeout interrupt mask. On a read, the current mask for the RTIM interrupt is returned.<br>0: Clears the mask (interrupt is disabled).<br>1: Sets the mask (interrupt is enabled).       |

| Bit   | Field name | Reset | RW | Description                                                                                                                                                                                |
|-------|------------|-------|----|--------------------------------------------------------------------------------------------------------------------------------------------------------------------------------------------|
| 7     | FEIM       | 0x0   | RW | Framing error interrupt mask. On a read, the current mask for the FEIM interrupt is returned.<br>0: Clears the mask (interrupt is disabled).<br>1: Sets the mask (interrupt is enabled).   |
| 8     | PEIM       | 0x0   | RW | Parity error interrupt mask. On a read, the current mask for the PEIM interrupt is returned.<br>0: Clears the mask (interrupt is disabled).<br>1: Sets the mask (interrupt is enabled).    |
| 9     | BEIM       | 0x0   | RW | Break error interrupt mask. On a read, the current mask for the BEIM interrupt is returned.<br>0: Clears the mask (interrupt is disabled).<br>1: Sets the mask (interrupt is enabled).     |
| 10    | OEIM       | 0x0   | RW | Overrun error interrupt mask. On a read, the current mask for the OEIM interrupt is returned.<br>0: Clears the mask (interrupt is disabled).<br>1: Sets the mask (interrupt is enabled).   |
| 11    | XOFFIM     | 0x0   | RW | XOFF interrupt mask. On a read, the current mask for the XOFFIM interrupt is returned.<br>0: Clears the mask (interrupt is disabled).<br>1: Sets the mask (interrupt is enabled).          |
| 12    | TXFEIM     | 0x0   | RW | TX FIFO empty interrupt mask. On a read, the current mask for the TXFEIM interrupt is returned.<br>0: Clears the mask (interrupt is disabled).<br>1: Sets the mask (interrupt is enabled). |
| 31:13 | RESERVED   | 0x0   | RW | RESERVED                                                                                                                                                                                   |

**Table 83: UART - RIS register description: address offset UART\_BASE\_ADDR+0x3C**

| Bit | Field name | Reset | RW | Description                                                                                           |
|-----|------------|-------|----|-------------------------------------------------------------------------------------------------------|
| 0   | RESERVED   | 0x0   | R  | RESERVED                                                                                              |
| 1   | CTSMIS     | 0x0   | R  | Clear to send interrupt status.<br>0: The interrupt is not pending.<br>1: The interrupt is pending.   |
| 3:2 | RESERVED   | 0x0   | R  | RESERVED                                                                                              |
| 4   | RXIS       | 0x0   | R  | Receive interrupt status.<br>0: The interrupt is not pending.<br>1: The interrupt is pending.         |
| 5   | TXIM       | 0x0   | R  | Transmit interrupt status.<br>0: The interrupt is not pending.<br>1: The interrupt is pending.        |
| 6   | RTIS       | 0x0   | R  | Receive timeout interrupt status.<br>0: The interrupt is not pending.<br>1: The interrupt is pending. |

| Bit   | Field name | Reset | RW | Description                                                                                         |
|-------|------------|-------|----|-----------------------------------------------------------------------------------------------------|
| 7     | FEIS       | 0x0   | R  | Framing error interrupt status.<br>0: The interrupt is not pending.<br>1: The interrupt is pending. |
| 8     | PEIS       | 0x0   | R  | Parity error interrupt status.<br>0: The interrupt is not pending.<br>1: The interrupt is pending.  |
| 9     | BEIS       | 0x0   | R  | Break error interrupt status.<br>0: The interrupt is not pending.<br>1: The interrupt is pending.   |
| 10    | OEIS       | 0x0   | R  | Overrun error interrupt status.<br>0: The interrupt is not pending.<br>1: The interrupt is pending. |
| 11    | XOFFIS     | 0x0   | R  | XOFF interrupt status.<br>0: The interrupt is not pending.<br>1: The interrupt is pending.          |
| 12    | TXFEIS     | 0x0   | R  | TX FIFO empty interrupt status.<br>0: The interrupt is not pending.<br>1: The interrupt is pending. |
| 31:13 | RESERVED   | 0x0   | R  | RESERVED                                                                                            |

Table 84: UART - MIS register description: address offset UART\_BASE\_ADDR+0x40

| Bit | Field name | Reset | RW | Description                                                                                                  |
|-----|------------|-------|----|--------------------------------------------------------------------------------------------------------------|
| 0   | RESERVED   | 0x0   | R  | RESERVED                                                                                                     |
| 1   | CTSMMIS    | 0x0   | R  | Clear to send masked interrupt status.<br>0: The interrupt is not pending.<br>1: The interrupt is pending.   |
| 3:2 | RESERVED   | 0x0   | R  | RESERVED                                                                                                     |
| 4   | RXMIS      | 0x0   | R  | Receive masked interrupt status.<br>0: The interrupt is not pending.<br>1: The interrupt is pending.         |
| 5   | TXMIS      | 0x0   | R  | Transmit masked interrupt status.<br>0: The interrupt is not pending.<br>1: The interrupt is pending.        |
| 6   | RTMIS      | 0x0   | R  | Receive timeout masked interrupt status.<br>0: The interrupt is not pending.<br>1: The interrupt is pending. |
| 7   | FEMIS      | 0x0   | R  | Framing error masked interrupt status.<br>0: The interrupt is not pending.<br>1: The interrupt is pending.   |
| 8   | PEMIS      | 0x0   | R  | Parity error masked interrupt status.<br>0: The interrupt is not pending.<br>1: The interrupt is pending.    |

| Bit   | Field name | Reset | RW | Description                                                                                                |
|-------|------------|-------|----|------------------------------------------------------------------------------------------------------------|
| 9     | BEMIS      | 0x0   | R  | Break error masked interrupt status.<br>0: The interrupt is not pending.<br>1: The interrupt is pending.   |
| 10    | OEMIS      | 0x0   | R  | Overrun error masked interrupt status.<br>0: The interrupt is not pending.<br>1: The interrupt is pending. |
| 11    | XOFFMIS    | 0x0   | R  | XOFF interrupt masked status.<br>0: The interrupt is not pending.<br>1: The interrupt is pending.          |
| 12    | TXFEMIS    | 0x0   | R  | TX FIFO empty masked interrupt status.<br>0: The interrupt is not pending.<br>1: The interrupt is pending. |
| 31:13 | RESERVED   | 0x0   | R  | RESERVED                                                                                                   |

Table 85: UART - ICR register description: address offset UART\_BASE\_ADDR+0x44

| Bit | Field name | Reset | RW | Description                                                                       |
|-----|------------|-------|----|-----------------------------------------------------------------------------------|
| 0   | RESERVED   | 0x0   | RW | RESERVED                                                                          |
| 1   | CTSMIC     | 0x0   | W  | Clear to send modem interrupt clear.<br>0: No effect.<br>1: Clears the interrupt. |
| 3:2 | RESERVED   | 0x0   | RW | RESERVED                                                                          |
| 4   | RXIC       | 0x0   | W  | Receive interrupt clear.<br>0: No effect.<br>1: Clears the interrupt.             |
| 5   | TXIC       | 0x0   | W  | Transmit interrupt clear.<br>0: No effect.<br>1: Clears the interrupt.            |
| 6   | RTIC       | 0x0   | W  | Receive timeout interrupt clear.<br>0: No effect.<br>1: Clears the interrupt.     |
| 7   | FEIC       | 0x0   | W  | Framing error interrupt clear.<br>0: No effect.<br>1: Clears the interrupt.       |
| 8   | PEIC       | 0x0   | W  | Parity error interrupt clear.<br>0: No effect.<br>1: Clears the interrupt.        |
| 9   | BEIC       | 0x0   | W  | Break error interrupt clear.<br>0: No effect.<br>1: Clears the interrupt.         |
| 10  | OEIC       | 0x0   | W  | Overrun error interrupt clear.<br>0: No effect.<br>1: Clears the interrupt.       |

| Bit   | Field name | Reset | RW | Description                                                                 |
|-------|------------|-------|----|-----------------------------------------------------------------------------|
| 11    | XOFFIC     | 0x0   | W  | XOFF interrupt clear.<br>0: No effect.<br>1: Clears the interrupt.          |
| 12    | TXFEIC     | 0x0   | W  | TX FIFO empty interrupt clear.<br>0: No effect.<br>1: Clears the interrupt. |
| 31:13 | RESERVED   | 0x0   | RW | RESERVED                                                                    |

Table 86: UART - DMACR register description: address offset UART\_BASE\_ADDR+0x48

| Bit  | Field name | Reset | RW | Description                                                                                                                                                           |
|------|------------|-------|----|-----------------------------------------------------------------------------------------------------------------------------------------------------------------------|
| 0    | RXDMAE     | 0x0   | RW | Receive DMA enable bit.<br>0: DMA mode is disabled for reception.<br>1: DMA mode is enabled for reception.                                                            |
| 1    | TXDMAE     | 0x0   | RW | Transmit DMA enable bit.<br>0: DMA mode is disabled for transmit.<br>1: DMA mode is enabled for transmit.                                                             |
| 2    | RESERVED   | 0x0   | RW | RESERVED                                                                                                                                                              |
| 3    | DMAONERR   | 0x0   | RW | DMA on error.<br>0: UART error interrupt status has no impact in receive DMA mode.<br>1: DMA receive requests are disabled when the UART error interrupt is asserted. |
| 31:4 | RESERVED   | 0x0   | RW | RW RESERVED                                                                                                                                                           |

Table 87: UART - XFCR register description: address offset UART\_BASE\_ADDR+0x50

| Bit | Field name | Reset | RW | Description                                                                                                                                                                                                                                                                                                                                     |
|-----|------------|-------|----|-------------------------------------------------------------------------------------------------------------------------------------------------------------------------------------------------------------------------------------------------------------------------------------------------------------------------------------------------|
| 0   | SFEN       | 0x0   | RW | Software flow control enable.<br>0: Software flow control disable.<br>1: software flow control enable.                                                                                                                                                                                                                                          |
| 2:1 | SFRMOD     | 0x0   | RW | Software receive flow control mode:<br>00b: Receive flow control is disabled.<br>01b: Xon1, Xoff1 characters are used in receiving software flow control.<br>10b: Xon2, Xoff2 characters are used in receiving software flow control.<br>11b: Xon1 and Xon2, Xoff1 and Xoff2 characters are used in receiving software flow control.            |
| 4:3 | SFTMOD     | 0x0   | RW | Software transmit flow control mode:<br>00b: Transmit flow control is disabled.<br>01b: Xon1, Xoff1 characters are used in transmitting software flow control.<br>10b: Xon2, Xoff2 characters are used in transmitting software flow control.<br>11b: Xon1 and Xon2, Xoff1 and Xoff2 characters are used in transmitting software flow control. |

| Bit  | Field name | Reset | RW | Description                                                                                                                                            |
|------|------------|-------|----|--------------------------------------------------------------------------------------------------------------------------------------------------------|
| 5    | XONANY     | 0x0   | RW | Xon-any bit:<br>0: Incoming character must match Xon programmed value(s) to be a valid Xon.<br>1: Any incoming character is considered as a valid Xon. |
| 6    | SPECHAR    | 0x0   | RW | Special character detection bit.<br>0: Special character detection disabled.<br>1: Special character detection enabled.                                |
| 31:7 | RESERVED   | 0x0   | RW | RESERVED                                                                                                                                               |

**Table 88: UART - XON1 register description: address offset UART\_BASE\_ADDR+0x54**

| Bit  | Field name | Reset | RW | Description                                               |
|------|------------|-------|----|-----------------------------------------------------------|
| 7:0  | XON1       | 0x0   | RW | Value of Xon1 character used in the software flow control |
| 31:8 | RESERVED   | 0x0   | RW | RW RESERVED                                               |

**Table 89: UART - XON2 register description. Address offset UART\_BASE\_ADDR+0x58.**

| Bit  | Field name | Reset | RW | Description                                               |
|------|------------|-------|----|-----------------------------------------------------------|
| 7:0  | XON2       | 0x0   | RW | Value of Xon2 character used in the software flow control |
| 31:8 | RESERVED   | 0x0   | RW | RESERVED                                                  |

**Table 90: UART - XOFF1 register description. Address offset UART\_BASE\_ADDR+0x5C.**

| Bit  | Field name | Reset | RW | Description                                                |
|------|------------|-------|----|------------------------------------------------------------|
| 7:0  | XOFF1      | 0x0   | RW | Value of Xoff1 character used in the software flow control |
| 31:8 | RESERVED   | 0x0   | RW | RESERVED                                                   |

**Table 91: UART - XOFF2 register description. Address offset UART\_BASE\_ADDR+0x60.**

| Bit  | Field name | Reset | RW | Description                                                |
|------|------------|-------|----|------------------------------------------------------------|
| 7:0  | XOFF2      | 0x0   | RW | Value of Xoff2 character used in the software flow control |
| 31:8 | RESERVED   | 0x0   | RW | RESERVED                                                   |



All RESERVED fields inside registers must always be written with their default values.

## 3.10 I<sup>2</sup>C

### 3.10.1 Introduction

The BlueNRG-1 integrates two I<sup>2</sup>C controllers in the QFN32 package (I2C2 and I2C1), and one in the WCSP34 package (I2C2). The I<sup>2</sup>C controller interface is designed to support the physical and data link layer according to I<sup>2</sup>C standard revision 3.0 and provides a low-cost interconnection between ICs.



Main features are:

- Up to 400 Kb/s in fast mode and up to 100 Kb/s in standard mode.
- Operating modes supported are master mode, slave mode, master/slave mode for multi-master system with bus arbitration.
- Programmable 7-bit or 10-bit addressing (also with combined formats).
- Programmable start byte procedure.
- 16-byte depth RX FIFO and 16-byte depth TX FIFO.
- Spike digital filtering on the SDA and SCL lines.
- Control timing constraint defined by the I<sup>2</sup>C standard.
- Support for direct memory access (DMA).

### 3.10.2 Functional description

Two wires, serial data (SDA) and serial clock (SCL) carry information between the devices connected to the bus. Each device has a unique address and can operate as either a transmitter or receiver, depending on the function of the device. A master is the device that initiates a data transfer on the bus and generates the clock signal. Any device addressed is considered at that time a slave. The I<sup>2</sup>C bus is a multi-master bus where more than one device is capable of controlling the bus. This means that more than one master could try to initiate a data transfer at the same time. The arbitration procedure relies on the wired-AND connection of all I<sup>2</sup>C interfaces to the I<sup>2</sup>C bus. If two or more masters try to put information onto the bus, the first to produce a 'one' when the other produces a 'zero' will lose the arbitration. The clock signals during arbitration are a synchronized combination of the clocks generated by the masters using the wired-AND connection to the SCL line. Generation of clock signals on the I<sup>2</sup>C bus is always the responsibility of master devices; each master generates its own clock signals when transferring data to the bus. Bus clock signals from a master can only be altered when they are stretched by a slow slave device holding down the clock line, or by another master when arbitration occurs.

Two modes:

- Standard mode with bit rate up to 100 Kb/s
- Fast mode with bit rate up to 400 Kb/s

#### 3.10.2.1 I<sup>2</sup>C FIFO management

The transmit and receive paths are buffered with internal FIFO memory enabling up to 16 bytes to be stored independently in both transmit and receive modes. The FIFOs status can be checked using the I<sup>2</sup>C interrupts. There is a programmable threshold value for each FIFO. When the number of entries is greater for the receive FIFO or less for the transmit FIFO, an interrupt is set.

#### 3.10.2.2 I<sup>2</sup>C clock rate calculation

To define the I<sup>2</sup>C clock rate generation there is one register to configure: BRCCR. The clock rate can be calculated using this formula:

$$I2C_{clock} = \begin{cases} \frac{f_{I2C}}{(BRCNT2 * 2) + Foncycle} & \text{in standard mode} \\ \frac{f_{I2C}}{(BRCNT2 * 3) + Foncycle} & \text{in fast mode} \end{cases}$$

Where:

- $f_{I2C}$  is the I<sup>2</sup>C peripheral clock, clocked on the system clock divided by 3.
- BRCNT2 is a field of the BRCCR register.

- Foncycle depends on a programmable field of the CR register:
  - CR: FON = “00” → Filter the clock spike wide = 0 → Foncycle = 1
  - CR: FON = “01” → Filter the clock spike wide = 1 → Foncycle = 3
  - CR: FON = “10” → Filter the clock spike wide = 2 → Foncycle = 4
  - CR: FON = “11” → Filter the clock spike wide = 4 → Foncycle = 6

The minimum input clock frequency for the I<sup>2</sup>C is:

- 1.4 MHz if the I<sup>2</sup>C is in standard mode at 100 kHz.
- 7.2 MHz if the I<sup>2</sup>C is in fast mode at 400 kHz.

### 3.10.2.3 I<sup>2</sup>C configuration

Following a reset, the I<sup>2</sup>C logic is disabled and must be configured when in this state.

The control register (CR) and baud rate register (BRCR) need to be programmed to configure the following parameters of the peripheral:

- Master or slave.
- 7- or 10-bit addressing mode.
- Speed mode.
- Clock rate.



If in slave mode, the SCR register has to be programmed with the selected slave address.

Then, if in master mode, the MCR register is used to define the transaction:

- Read or write.
- Slave addresses (7- or 10-bit) to communicate with.
- Addressing a 7- or 10-bit slave address.
- Stop condition, to generate a stop or restart condition at the end of the transaction (for consecutive transactions).
- Transaction length.



For a master write, the data to transmit have to be written to the transmit FIFO in the I2C\_TFR register. For a master read, when the master transaction is done, data are available in the receive FIFO in I2C\_RFR.

### 3.10.2.4 DMA interface

The I<sup>2</sup>C controller includes a specific DMA interface. The following section describes the signals interface, data flow and programming model for the RX and the TX paths.

The DMA interfaces are separated for each path and two DMA request channels shall be used for a device.

In RX mode, a DMA transfer based on a single descriptor shall be used and the DMA RX channel must be programmed for a peripheral-to-memory transfer where the flow controller is the DMA. Each descriptor is related to a single I<sup>2</sup>C transaction (master read or write-to-slave operation) and no linked list item should be used. The transfer length is programmed on the DMA and the termination of the frame transfer is notified by the assertion of the related interrupt I2C\_RISR:STD or I2C\_RISR:MTD bits. In case of read-from-slave operation, on the DMA (master device) the transfer length shall be programmed according to the I2C\_MCR:LENGTH register field. In case of write-to-slave operation, on the DMA

(slave device) the maximum length (not the real length because it is unknown) shall be programmed.

In TX mode, a DMA transfer based on a single descriptor shall be used and the DMA TX channel must be programmed for a memory-to-peripheral transfer where the flow controller is the DMA. Each descriptor is related to a single I<sup>2</sup>C transaction (master write or read-from-slave operation) and no linked list item should be used. The transfer length is programmed on the DMA and the termination of the frame transfer is notified by the assertion of the related interrupt I<sup>2</sup>C\_RISR:STD or I<sup>2</sup>C\_RISR:MTD bits. In case of write-to-slave operation, on the DMA (master device) the transfer length shall be programmed according to the I<sup>2</sup>C\_MCR:LENGTH register field. In case of read-from-slave operation, on the DMA (slave device) the maximum length (not the real length because it is unknown) shall be programmed.

### 3.10.3 I<sup>2</sup>C registers

I<sup>2</sup>C2 peripheral base address (I<sup>2</sup>C2\_BASE\_ADDR) 0x40A00000

I<sup>2</sup>C1 peripheral base address (I<sup>2</sup>C1\_BASE\_ADDR) 0x40B00000

**Table 92: I<sup>2</sup>Cx registers**

| Address offset | Name  | RW | Reset      | Description                                                                                  |
|----------------|-------|----|------------|----------------------------------------------------------------------------------------------|
| 0x00           | CR    | RW | 0x00000000 | I <sup>2</sup> C control register. Refer to the detailed description below.                  |
| 0x04           | SCR   | RW | 0x000F0055 | I <sup>2</sup> C slave control register. Refer to the detailed description below.            |
| 0x0C           | MCR   | RW | 0x00000000 | I <sup>2</sup> C master control register. Refer to the detailed description below.           |
| 0x10           | TFR   | RW | 0x00000000 | I <sup>2</sup> C transmit FIFO register. Refer to the detailed description below.            |
| 0x14           | SR    | R  | 0x00000000 | I <sup>2</sup> C status register. Refer to the detailed description below.                   |
| 0x18           | RFR   | R  | 0x00000000 | I <sup>2</sup> C receive FIFO register. Refer to the detailed description below.             |
| 0x1C           | TFTR  | RW | 0x00000000 | I <sup>2</sup> C transmit FIFO threshold register. Refer to the detailed description below.  |
| 0x20           | RFTR  | RW | 0x00000000 | I <sup>2</sup> C receive FIFO threshold register. Refer to the detailed description below.   |
| 0x24           | DMAR  | RW | 0x00000000 | I <sup>2</sup> C DMA register. Refer to the detailed description below.                      |
| 0x28           | BRCR  | RW | 0x00000008 | I <sup>2</sup> C baud-rate counter register. Refer to the detailed description below.        |
| 0x2C           | IMSCR | RW | 0x00000000 | I <sup>2</sup> C interrupt mask set/clear register. Refer to the detailed description below. |
| 0x30           | RISR  | R  | 0x00000013 | I <sup>2</sup> C raw interrupt status register. Refer to the detailed description below.     |
| 0x34           | MISR  | R  | 0x00000000 | I <sup>2</sup> C masked interrupt status register. Refer to the detailed description below.  |
| 0x38           | ICR   | RW | 0x00000000 | I <sup>2</sup> C interrupt clear register. Refer to the detailed description below.          |

| Address offset | Name           | RW | Reset      | Description                                                                               |
|----------------|----------------|----|------------|-------------------------------------------------------------------------------------------|
| 0x4C           | THDDAT         | RW | 0x00000014 | I <sup>2</sup> C hold time data. Refer to the detailed description below.                 |
| 0x50           | THDSTA_FST_STD | RW | 0x003F00E2 | I <sup>2</sup> C hold time start condition F/S. Refer to the detailed description below.  |
| 0x54           | RESERVED       | RW | 0x00000019 | RESERVED                                                                                  |
| 0x58           | TSUSTA_FST_STD | RW | 0x001D00E2 | I <sup>2</sup> C setup time start condition F/S. Refer to the detailed description below. |

**Table 93: I<sup>2</sup>C - CR register description: address offset I2CX\_BASE\_ADDR+0x00**

| Bit | Field name | Reset | RW | Description                                                                                                                                                                                                                                                                                                                                                                                                                                                                                                                                                                                                                           |
|-----|------------|-------|----|---------------------------------------------------------------------------------------------------------------------------------------------------------------------------------------------------------------------------------------------------------------------------------------------------------------------------------------------------------------------------------------------------------------------------------------------------------------------------------------------------------------------------------------------------------------------------------------------------------------------------------------|
| 0   | PE         | 0x0   | RW | I <sup>2</sup> C enable disable:<br>0: I <sup>2</sup> C disable.<br>1: I <sup>2</sup> C enable.<br>This bit when deasserted works as software reset for I <sup>2</sup> C peripheral.                                                                                                                                                                                                                                                                                                                                                                                                                                                  |
| 2:1 | OM         | 0x0   | RW | Select the operating mode:<br>00b: Slave mode. The peripheral can only respond (transmit/receive) when addressed by a master device<br>01b: Master mode. The peripheral works in a multi-master system where it cannot be addressed by another master device. It can only initiate a new transfer as master device.<br>10b: Master/slave mode. The peripheral works in a multi-master system where it can be addressed by another master device, besides to initiate a transfer as master device.                                                                                                                                     |
| 3   | SAM        | 0x0   | RW | Slave addressing mode. SAM defines the slave addressing mode when the peripheral works in slave or master/slave mode. The received address is compared with the content of the register SCR.<br>0: 7-bit addressing mode.<br>1: 10-bit addressing mode.                                                                                                                                                                                                                                                                                                                                                                               |
| 5:4 | SM         | 0x0   | RW | Speed mode. SM defines the speed mode related to the serial bit rate:<br>0: Standard mode (up to 100 k/s).<br>1: Fast mode (up to 400 k/s).                                                                                                                                                                                                                                                                                                                                                                                                                                                                                           |
| 6   | SGCM       | 0x0   | RW | Slave general call mode defines the operating mode of the slave controller when a general call is received. This setting does not affect the hardware general call that is always managed in transparent mode.<br>0: transparent mode, the slave receiver recognizes the general call but any action is taken by the hardware after the decoding of the message included in the Rx FIFO.<br>1: direct mode, the slave receiver recognizes the general call and executes directly (without software intervention) the related actions. Only the status code word is stored in the I2C_SR register for notification to the application. |

| Bit   | Field name | Reset | RW | Description                                                                                                                                                                                                                                                                                                                                                                                                                                                                                                                                                                                                                                                                                                                 |
|-------|------------|-------|----|-----------------------------------------------------------------------------------------------------------------------------------------------------------------------------------------------------------------------------------------------------------------------------------------------------------------------------------------------------------------------------------------------------------------------------------------------------------------------------------------------------------------------------------------------------------------------------------------------------------------------------------------------------------------------------------------------------------------------------|
| 7     | FTX        | 0x0   | RW | <p>FTX flushes the transmit circuitry (FIFO, fsm). The configuration of the I<sup>2</sup>C node (register setting) is not affected by the flushing operation. The flushing operation is performed on modules working on different clock domains (system and I<sup>2</sup>C clocks) and needs several system clock cycles before being completed. Upon completion, the I<sup>2</sup>C node (internal logic) clears this bit. The application must not access the Tx FIFO during the flushing operation and should poll on this bit waiting for completion.</p> <p>0: Flush operation is completed (I<sup>2</sup>C controller clears the bit).<br/>1: Flush operation is started and in progress (set by application).</p>    |
| 8     | FRX        | 0x0   | RW | <p>FRX flushes the receive circuitry (FIFO, fsm). The configuration of the I<sup>2</sup>C node (register setting) is not affected by the flushing operation. The flushing operation is performed on modules working on different clock domains (system and I<sup>2</sup>C clocks) and needs several system clock cycles before to be completed. Upon completion, the I<sup>2</sup>C node (internal logic) clears this bit. The application must not access the Rx FIFO during the flushing operation and should poll on this bit waiting for the completion.</p> <p>0: Flush operation is completed (I<sup>2</sup>C controller clears the bit).<br/>1: Flush operation is started and in progress (set by application).</p> |
| 9     | DMA_TX_EN  | 0x0   | RW | <p>Enables the DMA TX interface.</p> <p>0: Idle state, the DMA TX interface is disabled.<br/>1: Run state, the DMA TX interface is enabled.</p> <p>On the completion of the DMA transfer, the DMA TX interface is automatically turned off clearing this bit when the end of transfer signal coming from the DMA is raised. DMA_TX_EN and DMA_RX_EN must not enabled at the same time.</p>                                                                                                                                                                                                                                                                                                                                  |
| 10    | DMA_RX_EN  | 0x0   | RW | <p>Enables the DMA RX interface.</p> <p>0: Idle state, the DMA RX interface is disabled.<br/>1: Run state, the DMA RX interface is enabled.</p> <p>On the completion of the DMA transfer, the DMA RX interface is automatically turned off clearing this bit when the end of transfer signal coming from the DMA is raised. DMA_TX_EN and DMA_RX_EN must not enabled at the same time.</p>                                                                                                                                                                                                                                                                                                                                  |
| 12:11 | RESERVED   | 0x0   | RW | RESERVED                                                                                                                                                                                                                                                                                                                                                                                                                                                                                                                                                                                                                                                                                                                    |
| 14:13 | FON        | 0x0   | RW | <p>Filtering on sets the digital filters on the SDA, SCL line, according to the I<sup>2</sup>C bus requirements, when standard open-drain pads are used:</p> <p>00b: No digital filters are inserted.<br/>01b: Digital filters (filter 1 ck wide spikes) are inserted.<br/>10b: Digital filters (filter 2 ck wide spikes) are inserted.<br/>11b: Digital filters (filter 4 ck wide spikes) are inserted.</p>                                                                                                                                                                                                                                                                                                                |

| Bit   | Field name | Reset | RW | Description                                                                                                                 |
|-------|------------|-------|----|-----------------------------------------------------------------------------------------------------------------------------|
| 15    | FS_1       | 0x0   | RW | Force stop enable bit. When set to 1b, the STOP condition is generated.<br>0: Force stop disabled.<br>1: Enable force stop. |
| 31:16 | RESERVED   | 0x0   | RW | RESERVED                                                                                                                    |

Table 94: I2C - SCR register description: address offset I2CX\_BASE\_ADDR+0x04

| Bit   | Field name | Reset | RW | Description                                                                                                                                                                                                                                                                 |
|-------|------------|-------|----|-----------------------------------------------------------------------------------------------------------------------------------------------------------------------------------------------------------------------------------------------------------------------------|
| 6:0   | SA7        | 0x55  | RW | Slave address 7-bit. SA7 includes the slave address 7-bit or the LSB bits of the slave address 10-bit                                                                                                                                                                       |
| 9:7   | ESA10      | 0x0   | RW | Extended slave address 10-bit. ESA10 includes the extension (MSB bits) to the SA7 register field in case of slave addressing mode set to 10-bit                                                                                                                             |
| 15:10 | RESERVED   | 0x0   | RW | RESERVED                                                                                                                                                                                                                                                                    |
| 31:16 | SLSU       | 0xF   | RW | Slave data setup time. SLSU defines the data setup time after SCL clock stretching in terms of i2c_clk cycles. Data setup time is actually equal to SLSU-1 clock cycles. The typical values for i2c_clk of 16 MHz are SLSU = 5 in standard mode and SLSU = 3 in fast modes. |

Table 95: I2C2 - MCR register description: address offset I2CX\_BASE\_ADDR+0x0C

| Bit   | Field name | Reset | RW | Description                                                                                                                                                                                                                                                                                                             |
|-------|------------|-------|----|-------------------------------------------------------------------------------------------------------------------------------------------------------------------------------------------------------------------------------------------------------------------------------------------------------------------------|
| 0     | OP         | 0x0   | RW | Operation<br>0: Indicates a master write operation.<br>1: Indicates a master read operation.                                                                                                                                                                                                                            |
| 7:1   | A7         | 0x0   | RW | Address. Includes the 7-bit address or the LSB bits of the 10-bit address used to initiate the current transaction                                                                                                                                                                                                      |
| 10:8  | EA10       | 0x0   | RW | Extended address. Includes the extension (MSB bits) of the field A7 used to initiate the current transaction                                                                                                                                                                                                            |
| 11    | SB         | 0x0   | RW | Start byte:<br>0: The start byte procedure is not applied to the current transaction.<br>1: The start byte procedure is prefixed to the current transaction.                                                                                                                                                            |
| 13:12 | AM         | 0x0   | RW | Address type:<br>00b: The transaction is initiated by a general call command. In this case the fields OP, A7, EA10 are "don't care".<br>01b: The transaction is initiated by the 7-bit address included in the A7 field.<br>10b: The transaction is initiated by the 10-bit address included in the EA10 and A7 fields. |
| 14    | P          | 0x0   | RW | Stop condition:<br>0: The current transaction is not terminated by a STOP condition. A repeated START condition is generated on the next operation which is required to avoid to stall the I <sup>2</sup> C line.<br>1: The current transaction is terminated by a STOP condition.                                      |

| Bit   | Field name | Reset | RW | Description                                                                                                                                                                                                                                                                                                                                                                                                                                                                                                       |
|-------|------------|-------|----|-------------------------------------------------------------------------------------------------------------------------------------------------------------------------------------------------------------------------------------------------------------------------------------------------------------------------------------------------------------------------------------------------------------------------------------------------------------------------------------------------------------------|
| 25:15 | LENGTH     | 0x0   | RW | Transaction length. Defines the length, in terms of the number of bytes to be transmitted (MW) or received (MR). In case of write operation, the payload is stored in the Tx FIFO. A transaction can be larger than the Tx FIFO size. In case of read operation the length refers to the number of bytes to be received before generating a not-acknowledge response. A transaction can be larger than the Rx FIFO size. The I <sup>2</sup> C clock line is stretched low until the data in Rx FIFO are consumed. |
| 31:26 | RESERVED   | 0x0   | RW | RESERVED                                                                                                                                                                                                                                                                                                                                                                                                                                                                                                          |

Table 96: I<sup>2</sup>C - TFR register description: address offset I2CX\_BASE\_ADDR+0x10

| Bit  | Field name | Reset | RW | Description                                                                                                                                                                                                                                                                                                                                                                                                                                                                                                                                                                                                                                                                                                                                                                                                                                                                                                                                                                                                                                                                                                                                                                                                                                                                                                                                                                                                                                                                                                                                                                                                                                                                                                                                                    |
|------|------------|-------|----|----------------------------------------------------------------------------------------------------------------------------------------------------------------------------------------------------------------------------------------------------------------------------------------------------------------------------------------------------------------------------------------------------------------------------------------------------------------------------------------------------------------------------------------------------------------------------------------------------------------------------------------------------------------------------------------------------------------------------------------------------------------------------------------------------------------------------------------------------------------------------------------------------------------------------------------------------------------------------------------------------------------------------------------------------------------------------------------------------------------------------------------------------------------------------------------------------------------------------------------------------------------------------------------------------------------------------------------------------------------------------------------------------------------------------------------------------------------------------------------------------------------------------------------------------------------------------------------------------------------------------------------------------------------------------------------------------------------------------------------------------------------|
| 7:0  | TDATA      | 0x0   | RW | <p>Transmission data. TDATA contains the payload related to a master write or read-from-slave operation to be written in the Tx FIFO. TDATA(0) is the first LSB bit transmitted over the I<sup>2</sup>C line. In case of master write operation, the Tx FIFO shall be preloaded otherwise the I<sup>2</sup>C controller cannot start the operation until data are available.</p> <p>In case of read-from-slave operation, when the slave is addressed, the interrupt RISR:RFSR bit is asserted and the CPU shall download the data in the FIFO. If the FIFO is empty and the I<sup>2</sup>C master is still requiring data, a new request (RISR:RFSE interrupt bit) is asserted to require additional data to the CPU. The slave controller stretches the I<sup>2</sup>C clock line when no data are available for transmission. Since the Tx FIFO could contain some pending data related to the previous transfer (the transfer length may be unknown to the slave controller), the Tx FIFO is self-flushed before asserting the I2C_RISR:RFSR bit. Upon completion of the read-from-slave operation the interrupt bit I2C_RISR:STD is asserted and the related status of the operation is stored in the I2C_SR register. In CPU mode, the FIFO management is based on the assertion of the interrupt bit RISR:TXFNE, related to the nearly-empty threshold.</p> <p>In DMA mode, the single/burst requests are automatically executed based on the number of entries available in the TX FIFO and the related destination burst size programmed in the I2C_DMAR:DBSIZE_TX register field. The DMA requests are terminated at the end of the I<sup>2</sup>C read operation (not acknowledge received by the master) by a dummy last single/burst request.</p> |
| 31:8 | RESERVED   | 0x0   | RW | RESERVED                                                                                                                                                                                                                                                                                                                                                                                                                                                                                                                                                                                                                                                                                                                                                                                                                                                                                                                                                                                                                                                                                                                                                                                                                                                                                                                                                                                                                                                                                                                                                                                                                                                                                                                                                       |

Table 97: I<sup>2</sup>C - SR register description: address offset I2CX\_BASE\_ADDR+0x14

| Bit | Field name | Reset | RW | Description                                                                                                                                                                                                                                                                                                                                                                                                                                                                                                                                                                                                                                                                                                                                                                                                                                                                                                        |
|-----|------------|-------|----|--------------------------------------------------------------------------------------------------------------------------------------------------------------------------------------------------------------------------------------------------------------------------------------------------------------------------------------------------------------------------------------------------------------------------------------------------------------------------------------------------------------------------------------------------------------------------------------------------------------------------------------------------------------------------------------------------------------------------------------------------------------------------------------------------------------------------------------------------------------------------------------------------------------------|
| 1:0 | OP         | 0x0   | R  | Operation:<br>00b: MW: master write operation.<br>01b: MR: master read operation.<br>10b: WTS: write-to-slave operation.<br>11b: RFS: read-from-slave operation.                                                                                                                                                                                                                                                                                                                                                                                                                                                                                                                                                                                                                                                                                                                                                   |
| 3:2 | STATUS     | 0x0   | R  | Controller status. Valid for the operations MW, MR, WTS RFS:<br>00b: NOP: No operation is in progress.<br>01b: ON_GOING: An operation is ongoing.<br>10b: OK: The operation (OP field) has been completed successfully.<br>11b: ABORT: The operation (OP field) has been aborted due to the occurrence of the event described in the CAUSE field.                                                                                                                                                                                                                                                                                                                                                                                                                                                                                                                                                                  |
| 6:4 | CAUSE      | 0x0   | R  | Abort cause. This field is valid only when the STATUS field contains the ABORT tag. Others: RESERVED.<br>000b: NACK_ADDR: The master receives a not-acknowledge after the transmission of the address. Valid for the operation MW, MR.<br>001b: NACK_DATA: The master receives a not-acknowledge during the data phase of a MW operation. Valid for the operation MW.<br>011b: ARB_LOST: The master loses the arbitration during a MW or MR operation. Valid for the operation MW, MR.<br>100b: BERR_START: Slave restarts, a START Condition occurs while the byte transfer is not terminated.<br>101b: BERR_STOP: Slave Reset, a STOP Condition while the byte transfer is not terminated.<br>110b: OVFL: The slave receives a frame related to the WTS operation longer than the maximum size = 2047 bytes. In this case the slave device returns a NACK to complete the data transfer. Valid for WTS operation |
| 8:7 | TYPE       | 0x0   | R  | Receive type. Valid only for the operation WTS:<br>00b: FRAME: The slave has received a normal frame.<br>01b: GCALL: The slave has received a general call. If the I2C_CR:SGCM is set to 1, the general call is directly executed without software intervention and only the control code word is reported in FIFO (LENGTH =0).<br>10b: HW_GCALL: The slave has received a hardware general call.                                                                                                                                                                                                                                                                                                                                                                                                                                                                                                                  |



| Bit   | Field name | Reset | RW | Description                                                                                                                                                                                                                                                                                                                                                                                                                                                                                                                                                    |
|-------|------------|-------|----|----------------------------------------------------------------------------------------------------------------------------------------------------------------------------------------------------------------------------------------------------------------------------------------------------------------------------------------------------------------------------------------------------------------------------------------------------------------------------------------------------------------------------------------------------------------|
| 19:9  | LENGTH     | 0x0   | R  | Transfer length. For an MR, WTS operation the LENGTH field defines the actual size of the subsequent payload, in terms of number of bytes. For an MW, RFS operation the LENGTH field defines the actual number of bytes transferred by the master/slave device. For a WTS operation if the transfer length exceeds 2047 bytes, the operation is stopped by the slave returning a NACK handshake and the flag OVFL is set. For an RFS operation if the transfer length exceeds 2047 bytes, the operation continues normally but the LENGTH field is reset to 0. |
| 28:20 | RESERVED   | 0x0   | R  | RESERVED                                                                                                                                                                                                                                                                                                                                                                                                                                                                                                                                                       |
| 29    | DUALF      | 0x0   | R  | Dual flag (slave mode):<br>0: Received address matched with slave address (SA7).<br>1: Received address matched with dual slave address (DSA7).<br>Cleared by hardware after a stop condition or repeated Start condition, bus error or when PE=0.                                                                                                                                                                                                                                                                                                             |
| 31:30 | RESERVED   | 0x0   | R  | RESERVED                                                                                                                                                                                                                                                                                                                                                                                                                                                                                                                                                       |

Table 98: I2C - RFR register description: address offset I2CX\_BASE\_ADDR+0x18

| Bit  | Field name | Reset | RW | Description                                                                                                                                                                                                                                                                                                                                                                                                                                                                                                                                                                                                                                                                                                                             |
|------|------------|-------|----|-----------------------------------------------------------------------------------------------------------------------------------------------------------------------------------------------------------------------------------------------------------------------------------------------------------------------------------------------------------------------------------------------------------------------------------------------------------------------------------------------------------------------------------------------------------------------------------------------------------------------------------------------------------------------------------------------------------------------------------------|
| 7:0  | RDATA      | 0x0   | R  | Receive data. RDATA contains the received payload, related to a master read or write-to-slave operation, to be read from the Rx FIFO. The RDATA(0) is the first LSB bit received over the I2C line. In case the FIFO is full, the I2C controller stretches automatically the I2C clock line until a new entry is available.<br>For a write-to-slave operation, when the slave is addressed, the interrupt I2C_RISR:WTSR bit is asserted for notification to the CPU. In CPU mode the FIFO management shall be based on the assertion of the interrupt bit I2C_RISR:RXFNF, related to the nearly-full threshold.<br>In DMA mode, the single requests are automatically executed based on the number of entries contained in the Rx FIFO. |
| 31:8 | RESERVED   | 0x0   | R  | RESERVED                                                                                                                                                                                                                                                                                                                                                                                                                                                                                                                                                                                                                                                                                                                                |

Table 99: I2C - TFTR register description: address offset I2CX\_BASE\_ADDR+0x1C

| Bit   | Field name | Reset | RW | Description                                                                                                                                                                                                                                                                          |
|-------|------------|-------|----|--------------------------------------------------------------------------------------------------------------------------------------------------------------------------------------------------------------------------------------------------------------------------------------|
| 9:0   | THRESH_TX  | 0x0   | RW | Threshold TX, contains the threshold value, in terms of number of bytes, of the Tx FIFO.<br>When the number of entries of the Tx FIFO is less or equal than the threshold value, the interrupt bit I2C_RISR:TXFNE is set in order to request the loading of data to the application. |
| 31:10 | RESERVED   | 0x0   | RW | RESERVED                                                                                                                                                                                                                                                                             |

**Table 100: I<sup>2</sup>C - RFTR register description: address offset I2CX\_BASE\_ADDR+0x20**

| Bit   | Field name | Reset | RW | Description                                                                                                                                                                                                                                                                                                                                                                             |
|-------|------------|-------|----|-----------------------------------------------------------------------------------------------------------------------------------------------------------------------------------------------------------------------------------------------------------------------------------------------------------------------------------------------------------------------------------------|
| 9:0   | THRESH_RX  | 0x0   | RW | Threshold RX, contains the threshold value, in terms of number of bytes, of the Rx FIFO.<br>When the number of entries of the RX FIFO is greater than or equal to the threshold value, the interrupt bit RISR:RXFNF is set in order to request the download of received data to the application. The application shall download the received data based on the threshold. (RISR:RXFNF). |
| 31:10 | RESERVED   | 0x0   | RW | RESERVED                                                                                                                                                                                                                                                                                                                                                                                |

**Table 101: I<sup>2</sup>C - DMAR register description: address offset I2CX\_BASE\_ADDR+0x24**

| Bit   | Field name | Reset | RW | Description                                                                                                                                                                                                                                                                                                                                                       |
|-------|------------|-------|----|-------------------------------------------------------------------------------------------------------------------------------------------------------------------------------------------------------------------------------------------------------------------------------------------------------------------------------------------------------------------|
| 7:0   | RESERVED   | 0x0   | RW | RESERVED                                                                                                                                                                                                                                                                                                                                                          |
| 10:8  | DBSIZE_TX  | 0x0   | RW | Destination burst size. This register field is valid only if the BURST_TX bit is set to '1'. If burst size is smaller than the transaction length, only single request are generated.                                                                                                                                                                             |
| 11    | BURST_TX   | 0x0   | RW | Defines the type of DMA request generated by the DMA TX interface.<br>0: Single request mode. Transfers a single data (one byte) in the TX FIFO.<br>1: Burst request mode. Transfers a programmed burst of data according to DBSIZE_TX field.<br>When the burst mode is programmed, the DMA transfer can be completed by one or more single requests as required. |
| 31:12 | RESERVED   | 0x0   | RW | RESERVED                                                                                                                                                                                                                                                                                                                                                          |

**Table 102: I<sup>2</sup>C - BRCR register description: address offset I2CX\_BASE\_ADDR+0x28**

| Bit   | Field name | Reset | RW | Description                                                                                                                                                     |
|-------|------------|-------|----|-----------------------------------------------------------------------------------------------------------------------------------------------------------------|
| 15:0  | BRCNT      | 0x8   | RW | Baud rate counter. BRCNT defines the counter value used to set up the I2C baud rate in standard and fast mode, when the peripheral is operating in master mode. |
| 31:16 | RESERVED   | 0x0   | RW | RESERVED                                                                                                                                                        |

**Table 103: I<sup>2</sup>C - IMSCR register description: address offset I2CX\_BASE\_ADDR+0x2C**

| Bit | Field name | Reset | RW | Description                                                                                                                             |
|-----|------------|-------|----|-----------------------------------------------------------------------------------------------------------------------------------------|
| 0   | TXFEM      | 0x0   | RW | TX FIFO empty mask. TXFEM enables the interrupt bit TXFE:<br>0: TXFE interrupt is disabled.<br>1: TXFE interrupt is enabled.            |
| 1   | TXFNEM     | 0x0   | RW | TX FIFO nearly empty mask. TXFNEM enables the interrupt bit TXFNE:<br>0: TXFNE interrupt is disabled.<br>1: TXFNE interrupt is enabled. |
| 2   | TXFFM      | 0x0   | RW | TX FIFO full mask. TXFFM enables the interrupt bit TXFF:<br>0: TXFF interrupt is disabled.<br>1: TXFF interrupt is enabled.             |

| Bit   | Field name | Reset | RW | Description                                                                                                                            |
|-------|------------|-------|----|----------------------------------------------------------------------------------------------------------------------------------------|
| 3     | TXFOVRM    | 0x0   | RW | TX FIFO overrun mask. TXOVRM enables the interrupt bit TXOVR:<br>0: TXOVR interrupt is disabled.<br>1: TXOVR interrupt is enabled.     |
| 4     | RXFEM      | 0x0   | RW | RX FIFO empty mask. RXFEM enables the interrupt bit RXFE:<br>0: RXFE interrupt is disabled.<br>1: RXFE interrupt is enabled.           |
| 5     | RXFNFM     | 0x0   | RW | RX FIFO nearly full mask. RXNFM enables the interrupt bit RXNF:<br>0: RXNF interrupt is disabled.<br>1: RXNF interrupt is enabled      |
| 6     | RXFFM      | 0x0   | RW | RX FIFO full mask. RXFFM enables the interrupt bit RXFF:<br>0: RXFF interrupt is disabled.<br>1: RXFF interrupt is enabled.            |
| 15:7  | RESERVED   | 0x0   | RW | RESERVED                                                                                                                               |
| 16    | RFSRM      | 0x0   | RW | Read-from-slave request mask. RFSRM enables the interrupt bit RFSR:<br>0: RFSR interrupt is disabled.<br>1: RFSR interrupt is enabled. |
| 17    | RFSEM      | 0x0   | RW | Read-from-slave empty mask. RFSEM enables the interrupt bit RFSE:<br>0: RFSE interrupt is disabled.<br>1: RFSE interrupt is enabled.   |
| 18    | WTSRM      | 0x0   | RW | Write-to-slave request mask. WTSRM enables the interrupt bit WTSR:<br>0: WTSR interrupt is disabled.<br>1: WTSR interrupt is enabled.  |
| 19    | MTDM       | 0x0   | RW | Master transaction done mask. MTDM enables the interrupt bit MTD:<br>0: MTD interrupt is disabled.<br>1: MTD interrupt is enabled.     |
| 20    | STDm       | 0x0   | RW | Slave transaction done mask. STDm enables the interrupt bit STD:<br>0: STDm interrupt is disabled.<br>1: STDm interrupt is enabled.    |
| 23:21 | RESERVED   | 0x0   | RW | RESERVED                                                                                                                               |
| 24    | MALM       | 0x0   | RW | Master arbitration lost mask. MALM enables the interrupt bit MAL:<br>0: MAL interrupt is disabled.<br>1: MAL interrupt is enabled.     |
| 25    | BERRM      | 0x0   | RW | Bus error mask. BERRM enables the interrupt bit BERR:<br>0: BERR interrupt is disabled.<br>1: BERR interrupt is enabled.               |
| 27:26 | RESERVED   | 0x0   | RW | RESERVED                                                                                                                               |

| Bit   | Field name | Reset | RW | Description                                                                                                                                             |
|-------|------------|-------|----|---------------------------------------------------------------------------------------------------------------------------------------------------------|
| 28    | MTDWSM     | 0x0   | RW | Master transaction done without stop mask. MTDWSM enables the interrupt bit MTDWS:<br>0: MTDWS interrupt is disabled.<br>1: MTDWS interrupt is enabled. |
| 31:29 | RESERVED   | 0x0   | RW | RESERVED                                                                                                                                                |

Table 104: I2C - RISR register description: address offset I2CX\_BASE\_ADDR+0x30

| Bit | Field name | Reset | RW | Description                                                                                                                                                                                                                                                                                                                                                                                                                                                                                                                              |
|-----|------------|-------|----|------------------------------------------------------------------------------------------------------------------------------------------------------------------------------------------------------------------------------------------------------------------------------------------------------------------------------------------------------------------------------------------------------------------------------------------------------------------------------------------------------------------------------------------|
| 0   | TXFE       | 0x1   | R  | TX FIFO empty. TXFE is set when TX FIFO is empty. This bit is self-cleared by writing in TX FIFO.<br>0: TX FIFO is not empty.<br>1: TX FIFO is empty.                                                                                                                                                                                                                                                                                                                                                                                    |
| 1   | TXFNE      | 0x1   | R  | TX FIFO nearly empty. TXFNE is set when the number of entries in TX FIFO is less than or equal to the threshold value programmed in the I2C_TFTR:THRESHOLD_TX register. It is self-cleared when the threshold level is over the programmed threshold.<br>0: Number of entries in TX FIFO greater than the TFTR:THRESHOLD_TX register.<br>1: Number of entries in TX FIFO less than or equal to the TFTR:THRESHOLD_TX register.                                                                                                           |
| 2   | TXFF       | 0x0   | R  | TX FIFO full. TXFF is set when a full condition occurs in TX FIFO. This bit is self-cleared when the TX FIFO is not full:<br>0: TX FIFO is not full.<br>1: TX FIFO is full.                                                                                                                                                                                                                                                                                                                                                              |
| 3   | TXFOVR     | 0x0   | R  | TX FIFO overrun. TXFOVR is set when a write operation in TX FIFO is performed and TX FIFO is full. The application must avoid an overflow condition by a proper data flow control. Anyway in case of overrun, the application shall flush the transmitter (CR:FTX bit to set) because the TX FIFO content is corrupted (at least one word has been lost in FIFO). This interrupt is cleared by setting the related bit of the ICR register:<br>0: No overrun condition occurred in TX FIFO.<br>1: Overrun condition occurred in TX FIFO. |
| 4   | RXFE       | 0x1   | R  | RX FIFO empty. RXFE is set when the RX FIFO is empty. This bit is self-cleared when the slave RX FIFO is not empty:<br>0: RX FIFO is not empty.<br>1: RX FIFO is empty.                                                                                                                                                                                                                                                                                                                                                                  |
| 5   | RXFNF      | 0x0   | R  | RX FIFO nearly full. RXFNF is set when the number of entries in RX FIFO is greater than or equal to the threshold value programmed in the RFTR:THRESHOLD_RX register. Its self-cleared when the threshold level is under the programmed threshold:<br>0: Number of entries in the RX FIFO less than the RFTR:THRESHOLD_RX register.<br>1: Number of entries in the RX FIFO greater than or equal to the RFTR:THRESHOLD_RX register.                                                                                                      |

| Bit  | Field name | Reset | RW | Description                                                                                                                                                                                                                                                                                                                                                                                                                                                                                                                                                                                                                                                                                                                                                                                                                |
|------|------------|-------|----|----------------------------------------------------------------------------------------------------------------------------------------------------------------------------------------------------------------------------------------------------------------------------------------------------------------------------------------------------------------------------------------------------------------------------------------------------------------------------------------------------------------------------------------------------------------------------------------------------------------------------------------------------------------------------------------------------------------------------------------------------------------------------------------------------------------------------|
| 6    | RXFF       | 0x0   | R  | RX FIFO full. RXFF is set when a full condition occurs in RX FIFO. This bit is self-cleared when the data are read from the RX FIFO.<br>0: RX FIFO is not full.<br>1: RX FIFO is full.                                                                                                                                                                                                                                                                                                                                                                                                                                                                                                                                                                                                                                     |
| 15:7 | RESERVED   | 0x0   | R  | RESERVED                                                                                                                                                                                                                                                                                                                                                                                                                                                                                                                                                                                                                                                                                                                                                                                                                   |
| 16   | RFSR       | 0x0   | R  | Read-from-slave request. RFSR is set when a read-from-slave "Slavetransmitter" request is received (I <sup>2</sup> C slave is addressed) from the I <sup>2</sup> C line. On the assertion of this interrupt the TX FIFO is flushed (pending data are cleared) and the CPU shall put the data in TX FIFO. This bit is self-cleared by writing data in FIFO. In case the FIFO is empty before the completion of the read operation, the RISR:RFSE interrupt bit is set. This interrupt is cleared by setting the related bit of the ICR register.<br>0: Read-from-slave request has been served.<br>1: Read-from-slave request is pending.                                                                                                                                                                                   |
| 17   | RFSE       | 0x0   | R  | Read-from-slave empty. RFSE is set when a read-from-slave operation is in progress and TX FIFO is empty. On the assertion of this interrupt, the CPU shall download in TX FIFO the data required for the slave operation. This bit is self-cleared by writing in TX FIFO. At the end of the read-from-slave operation this bit is cleared although the TX FIFO is empty.<br>0: TX FIFO is not empty.<br>1: TX FIFO is empty with the read-from-slave operation in progress.                                                                                                                                                                                                                                                                                                                                                |
| 18   | WTSR       | 0x0   | R  | Write-to-slave request. WTSR is set when a write-to-slave operation is received (I <sup>2</sup> C slave is addressed) from the I <sup>2</sup> C line. This notification can be used by the application to program the DMA descriptor when required. This interrupt is cleared by setting the related bit of the ICR register:<br>0: No write-to-slave request pending.<br>1: Write-to-slave request is pending.                                                                                                                                                                                                                                                                                                                                                                                                            |
| 19   | MTD        | 0x0   | R  | Master transaction done. MTD is set when a master operation (master write or master read) has been executed after a stop condition. The application shall read the related transaction status (SR register), the pending data in the RX FIFO (only for a master read operation) and clear this interrupt (transaction acknowledgment). A subsequent master operation can be issued (writing the MCR register) after the clearing of this interrupt. A subsequent slave operation will be notified (RISR:WTSR and RISR:RFSR interrupt bits assertion) after clearing this interrupt, meanwhile the I <sup>2</sup> C clock line is stretched low. This interrupt is cleared by setting the related bit of the ICR register.<br>0: Master transaction acknowledged.<br>1: Master transaction done (ready for acknowledgment). |

| Bit   | Field name | Reset | RW | Description                                                                                                                                                                                                                                                                                                                                                                                                                                                                                                                                                                                                                                                                                                                                                                                                                                                                  |
|-------|------------|-------|----|------------------------------------------------------------------------------------------------------------------------------------------------------------------------------------------------------------------------------------------------------------------------------------------------------------------------------------------------------------------------------------------------------------------------------------------------------------------------------------------------------------------------------------------------------------------------------------------------------------------------------------------------------------------------------------------------------------------------------------------------------------------------------------------------------------------------------------------------------------------------------|
| 20    | STD        | 0x0   | R  | Slave transaction done. STD is set when a slave operation (write-to-slave or read-from-slave) has been executed. The application shall read the related transaction status (SR register), the pending data in the RX FIFO (only for a write-to-slave operation) and clear this interrupt (transaction acknowledgment). A subsequent slave operation will be notified (RISR:WTSR and RISR:RFSR interrupt bits assertion) after clearing this interrupt, meanwhile the I2C clock line will be stretched low. A subsequent master operation can be issued (by writing the MCR register) after clearing this interrupt. This interrupt is cleared by setting the related bit of the ICR register:<br>0: Slave transaction acknowledged.<br>1: Slave transaction done (ready for acknowledgment).                                                                                 |
| 23:21 | RESERVED   | 0x0   | R  | RESERVED                                                                                                                                                                                                                                                                                                                                                                                                                                                                                                                                                                                                                                                                                                                                                                                                                                                                     |
| 24    | MAL        | 0x0   | R  | Master arbitration lost. MAL is set when the master loses the arbitration. The status code word in the SR contains a specific error tag (CAUSE field) for this error condition. A collision occurs when 2 stations transmit simultaneously 2 opposite values on the serial line. The station that is pulling up the line, identifies the collision reading a 0 value on the sda_in signal, stops the transmission, leaves the bus and waits for the idle state (STOP condition received) on the bus line before retrying the same transaction. The station which transmits the first unique zero wins the bus arbitration. This interrupt is cleared by setting the related bit of the ICR register.<br>0: No master arbitration lost.<br>1: Master arbitration lost.                                                                                                        |
| 25    | BERR       | 0x0   | R  | Bus Error. BERR is set when an unexpected Start/Stop condition occurs during a transaction. The related actions are different, depending on the type of operation in progress. The status code word in the SR contains a specific error tag (CAUSE field) for this error condition. This interrupt is cleared by setting the related bit of the ICR register.<br>0: No bus error detection.<br>1: Bus error detection.                                                                                                                                                                                                                                                                                                                                                                                                                                                       |
| 27:26 | RESERVED   | 0x0   | R  | RESERVED                                                                                                                                                                                                                                                                                                                                                                                                                                                                                                                                                                                                                                                                                                                                                                                                                                                                     |
| 28    | MTDWS      | 0x0   | R  | Master transaction done without stop. MTDWS is set when a master operation (write or read) has been executed and a stop (MCR:P field) is not programmed. The application shall read the related transaction status (SR register), the pending data in the RX FIFO (only for a master read operation) and clear this interrupt (transaction acknowledgment). A subsequent master operation can be issued (by writing the MCR register) after clearing this interrupt. A subsequent slave operation will be notified (RISR:WTSR and RISR:RFSR interrupt bits assertion) after clearing this interrupt, meanwhile the I2C clock line will be stretched low. This interrupt is cleared by setting the related bit of the ICR register:<br>0: Master transaction acknowledged.<br>1: Master transaction done (ready for acknowledgment) and stop is not applied into the I2C bus. |
| 31:29 | RESERVED   | 0x0   | R  | RESERVED                                                                                                                                                                                                                                                                                                                                                                                                                                                                                                                                                                                                                                                                                                                                                                                                                                                                     |

Table 105: I2C - MISR register description: address offset I2CX\_BASE\_ADDR+0x34

| Bit  | Field name | Reset | RW | Description                                                                                                                                                                                                                   |
|------|------------|-------|----|-------------------------------------------------------------------------------------------------------------------------------------------------------------------------------------------------------------------------------|
| 0    | TXFEMIS    | 0x0   | R  | TX FIFO empty masked interrupt status.<br>0: TX FIFO is not empty.<br>1: TX FIFO is empty.                                                                                                                                    |
| 1    | TXFNEMIS   | 0x0   | R  | TX FIFO nearly empty masked interrupt status.<br>0: Number of entries in TX FIFO greater than the TFTR:THRESHOLD_TX register.<br>1: Number of entries in TX FIFO less than or equal to the TFTR:THRESHOLD_TX register.        |
| 2    | TXFFMIS    | 0x0   | R  | Tx FIFO full masked interrupt status.<br>0: TX FIFO is not full.<br>1: TX FIFO is full.                                                                                                                                       |
| 3    | TXFOVRMIS  | 0x0   | R  | Tx FIFO overrun masked interrupt status.<br>0: No overrun condition occurred in TX FIFO.<br>1: Overrun condition occurred in TX FIFO.                                                                                         |
| 4    | RXFEMIS    | 0x0   | R  | RX FIFO empty masked interrupt status.<br>0: RX FIFO is not empty.<br>1: RX FIFO is empty.                                                                                                                                    |
| 5    | RXFNFMIS   | 0x0   | R  | RX FIFO nearly full masked interrupt status.<br>0: Number of entries in the RX FIFO less than the RFTR:THRESHOLD_RX register.<br>1: Number of entries in the RX FIFO greater than or equal to the RFTR:THRESHOLD_RX register. |
| 6    | RXFFMIS    | 0x0   | R  | RX FIFO full masked interrupt status.<br>0: RX FIFO is not full.<br>1: RX FIFO is full.                                                                                                                                       |
| 15:7 | RESERVED   | 0x0   | R  | RESERVED                                                                                                                                                                                                                      |
| 16   | RFSRMIS    | 0x0   | R  | Read-from-slave request masked interrupt status.<br>0: Read-from-slave request has been served.<br>1: Read-from-slave request is pending.                                                                                     |
| 17   | RFSEMIS    | 0x0   | R  | Read-from-slave empty masked interrupt status.<br>0: TX FIFO is not empty.<br>1: TX FIFO is empty with the read-from-slave operation in progress.                                                                             |
| 18   | WTSRMIS    | 0x0   | R  | Write-to-slave request masked interrupt status.<br>0: No write-to-slave request pending.<br>1: Write-to-slave request is pending.                                                                                             |
| 19   | MTDMIS     | 0x0   | R  | Master transaction done masked interrupt status.<br>0: Master transaction acknowledged.<br>1: Master transaction done (ready for acknowledgment).                                                                             |
| 20   | STDMIS     | 0x0   | R  | Slave transaction done masked interrupt status.<br>0: Slave transaction acknowledged.<br>1: Slave transaction done (ready for acknowledgment).                                                                                |

| Bit   | Field name | Reset | RW | Description                                                                                                                                                                                                          |
|-------|------------|-------|----|----------------------------------------------------------------------------------------------------------------------------------------------------------------------------------------------------------------------|
| 23:21 | RESERVED   | 0x0   | R  | RESERVED                                                                                                                                                                                                             |
| 24    | MALMIS     | 0x0   | R  | Master arbitration lost masked interrupt status.<br>0: No master arbitration lost.<br>1: Master arbitration lost.                                                                                                    |
| 25    | BERRMIS    | 0x0   | R  | Bus error masked interrupt status.<br>0: No bus error detection.<br>1: Bus error detection.                                                                                                                          |
| 27:26 | RESERVED   | 0x0   | R  | RESERVED                                                                                                                                                                                                             |
| 28    | MTDWSMIS   | 0x0   | R  | Master transaction done without stop masked interrupt status.<br>0: Master transaction acknowledged.<br>1: Master transaction done (ready for acknowledgment) and stop is not applied into the I <sup>2</sup> C bus. |
| 31:29 | RESERVED   | 0x0   | R  | RESERVED                                                                                                                                                                                                             |

Table 106: I<sup>2</sup>C - ICR register description: address offset I2CX\_BASE\_ADDR+0x38

| Bit   | Field name | Reset | RW | Description                                                                                   |
|-------|------------|-------|----|-----------------------------------------------------------------------------------------------|
| 2:0   | RESERVED   | 0x0   | RW | RESERVED                                                                                      |
| 3     | TXFOVRIC   | 0x0   | RW | Tx FIFO overrun interrupt clear.<br>0: Has no effect.<br>1: Clears interrupt pending.         |
| 15:4  | RESERVED   | 0x0   | RW | RESERVED                                                                                      |
| 16    | RFSRIC     | 0x0   | RW | Read-from-Slave request interrupt clear.<br>0: Has no effect.<br>1: Clears interrupt pending. |
| 17    | RFSEIC     | 0x0   | RW | Read-from-slave empty interrupt clear.<br>0: Has no effect.<br>1: Clears interrupt pending.   |
| 18    | WTSRIC     | 0x0   | RW | Write-to-slave request interrupt clear.<br>0: Has no effect.<br>1: Clears interrupt pending.  |
| 19    | MTDIC      | 0x0   | RW | Master transaction done interrupt clear.<br>0: Has no effect.<br>1: Clears interrupt pending. |
| 20    | STDIC      | 0x0   | RW | Slave transaction done interrupt clear.<br>0: Has no effect.<br>1: Clears interrupt pending.  |
| 23:21 | RESERVED   | 0x0   | RW | RESERVED                                                                                      |
| 24    | MALIC      | 0x0   | RW | Master arbitration lost interrupt clear.<br>0: Has no effect.<br>1: Clears interrupt pending. |



| Bit   | Field name | Reset | RW | Description                                                                                                |
|-------|------------|-------|----|------------------------------------------------------------------------------------------------------------|
| 25    | BERRIC     | 0x0   | RW | Bus error interrupt clear.<br>0: Has no effect.<br>1: Clears interrupt pending.                            |
| 27:26 | RESERVED   | 0x0   | RW | RESERVED                                                                                                   |
| 28    | MTDWSIC    | 0x0   | RW | Master transaction done without stop interrupt clear.<br>0: Has no effect.<br>1: Clears interrupt pending. |
| 31:29 | RESERVED   | 0x0   | RW | RESERVED                                                                                                   |

Table 107: I2C - THDDAT register description: address offset I2CX\_BASE\_ADDR+0x4C

| Bit  | Field name | Reset | RW | Description                                                                                                                                                                                                                        |
|------|------------|-------|----|------------------------------------------------------------------------------------------------------------------------------------------------------------------------------------------------------------------------------------|
| 8:0  | THDDAT     | 0x14  | RW | Hold time data value. In master or slave mode, when the I2C controller detects a falling edge in the SCL line, the counter, which is loaded by the THDDAT, is launched. Once the THDDAT value is reached, the data is transferred. |
| 31:9 | RESERVED   | 0x0   | RW | RESERVED                                                                                                                                                                                                                           |

Table 108: I2C - THDSTA\_FST\_STD register description: address offset I2CX\_BASE\_ADDR+0x50

| Bit   | Field name | Reset | RW | Description                                                                                                                                                                                                             |
|-------|------------|-------|----|-------------------------------------------------------------------------------------------------------------------------------------------------------------------------------------------------------------------------|
| 8:0   | THDSTA_STD | 0xE2  | RW | Hold time start condition value for standard mode. When the start condition is asserted, the decimeter loads the value of THDSTA_STD for standard mode, once the THDSTA_STD value is reached, the SCL line asserts low. |
| 15:9  | RESERVED   | 0x0   | RW | RESERVED                                                                                                                                                                                                                |
| 24:16 | THDSTA_FST | 0x3F  | RW | Hold time start condition value for fast mode. When the start condition is asserted, the decimeter loads the value of THDSTA_FST for fast mode, once the THDSTA_FST value is reached, the SCL line assert slow.         |
| 31:25 | RESERVED   | 0x0   | RW | RESERVED                                                                                                                                                                                                                |

Table 109: I2C - TSUSTA\_FST\_STD register description: address offset I2CX\_BASE\_ADDR+0x58

| Bit   | Field name | Reset | RW | Description                                                                                                                                                                                                                 |
|-------|------------|-------|----|-----------------------------------------------------------------------------------------------------------------------------------------------------------------------------------------------------------------------------|
| 8:0   | TSUSTA_STD | 0xE2  | RW | Setup time start condition value for standard mode. After a non-stop on the SCL line the decimeter loads the value of TSUSTA_STD according to standard mode. Once the counter is expired, the start condition is generated. |
| 15:9  | RESERVED   | 0x0   | RW | RESERVED                                                                                                                                                                                                                    |
| 24:16 | TSUSTA_FST | 0x1D  | RW | Setup time start condition value for fast mode. After a non-stop on the SCL line the decimeter loads the value of TSUSTA_FST according to fast mode. Once the counter is expired the start condition is generated.          |
| 31:25 | RESERVED   | 0x0   | RW | RESERVED                                                                                                                                                                                                                    |



All RESERVED fields inside registers must always be written with their default value.

## 3.11 Flash controller

### 3.11.1 Flash controller introduction

The BlueNRG-1 integrates a Flash controller to interface the embedded Flash memory.

Main features are:

- Sector erase and mass erase
- 160 kbyte Flash memory: 80 pages of 8 rows with 64 words each
- Flash programming
- Mass read
- Enable readout protection
- 32-bit read access
- 32-bit write access in single write and 4x32-bit in burst write (reduce programming time by 2)

### 3.11.2 Flash controller functional description

The BlueNRG-1 embeds up to 160 KB (40960 x 32-bit) of internal Flash memory. A Flash interface implements instruction access and data access based on the AHB protocol. It implements the logic necessary to carry out the Flash memory operations (Program/Erase) controlled through the Flash registers.

Writing to Flash only allows clearing bits from '1' to '0'. This means any write from '0' to '1' implies erasing before performing a write.

Flash memory is composed of 80 pages containing 8 rows of 64 words (80 x 8 x 64 = 40960 words). Each word is 32-bit = 4 bytes long which means 160 kB of Flash.

The address inside the ADDRESS register is built as follows:

ADDRESS[13:0] = XADR[9:0] & YADR[5:0] with:

- XADR[9:3] = page address
- XADR[2:0] = row address
- YADR[5:0] = word address (one word = four bytes)



One specific address can be written only twice between two erase actions even if each writing only clears bits.



The Flash data retention is greater than 10 years at 85 °C. The Flash is rated to have a Flash cycling of 10.000 write/erase cycles.

#### 3.11.2.1 Reading Flash memory

To read one single word of the flash, just read it as if RAM memory: read the desired flash address and get read data on the bus.

### 3.11.2.2 Erasing Flash

The Flash controller allows erasing one page or the full main Flash.

ERASE sequence (erase one page):

1. Write the page address to be erased by writing in the ADDRESS register the following value:
  - a. ADDRESS[15:9] = XADR[9:3] = page address to erase
  - b. ADDRESS[8:0] = 9'b0 (row and word addresses at zero).
2. Write the ERASE command (0x11) in the COMMAND register.
3. Wait for the CMDSTART flag in the IRQSTAT register (polling mode or interrupt mode) indicating command is taken into account and under execution.
4. Clear the CMDSTART flag by writing CMDSTART to '1' in the IRQSTAT register.
5. Wait for the CMDDONE flag in the IRQSTAT register (polling mode or interrupt mode) indicating that the command is completed.
6. Clear the CMDDONE flag by writing CMDDONE to '1' in the IRQSTAT register.

After this command, the erased page contains only bits set to '1'.

MASSERASE sequence (erase completely main flash):

1. Write the MASSERASE command (0x22) in the COMMAND register.
2. Wait for the CMDSTART flag in the IRQSTAT register (polling mode or interrupt mode) indicating that the command has been taken into account and is under execution.
3. Clear the CMDSTART flag by writing CMDSTART to '1' in the IRQSTAT register.
4. Wait for the CMDDONE flag in the IRQSTAT register (polling mode or interrupt mode) indicating that the command is completed.
5. Clear the CMDDONE flag by writing CMDDONE to '1' in the IRQSTAT register.

After this command, the full main Flash contains only bits set to '1'.

### 3.11.2.3 Write function examples

The Flash Controller allows writing one word (WRITE), up to 4 words (BURSTWRITE) or the full main Flash memory (with a single fixed word).

Note: As a write can only program to '0' on bits already set to '1', it is necessary to erase the page and request that the bits be set to '1' (instead of '0') in order to re-write to '0'.

**WRITE sequence:**

1. Indicate the location to write by filling the ADDRESS register with the targeted address (page, row and word number)
2. Write the value to program in the DATA register.
3. Write the WRITE command (0x33) in the COMMAND register.
4. Wait for the CMDSTART flag in the IRQSTAT register (polling mode or interrupt mode) indicating that the command has been taken into account and is under execution.
5. Clear the CMDSTART flag by writing CMDSTART to '1' in the IRQSTAT register.
6. Wait for the CMDDONE flag in the IRQSTAT register (polling mode or interrupt mode) indicating that the command is completed.
7. Clear the CMDDONE flag by writing CMDDONE to '1' in the IRQSTAT register.

**BURSTWRITE sequence:**

1. Indicate the location to write by filling the ADDRESS register with the targeted address of the first data to write (page, row and word number). DATA0 will be written and ADDRESS, DATA1 at ADDRESS+1 and so on. (Write the values to program in the DATA0-3 registers. To write less than four words, write 0xFFFFFFFF in the unused DATA1-3 registers.)

2. Write the BURSTWRITE command (0xCC) in the COMMAND register.
3. Wait for the CMDSTART flag in the IRQSTAT register (polling mode or interrupt mode) indicating that the command has been taken into account and is under execution.
4. Clear the CMDSTART flag by writing CMDSTART to '1' in the IRQSTAT register.
5. Wait for the CMDDONE flag in the IRQSTAT register (polling mode or interrupt mode) indicating that the command is completed.
6. Clear the CMDDONE flag by writing CMDDONE to '1' in the IRQSTAT register.

### 3.11.2.4 Flash readout protection

It is possible to protect flash memory from unwanted access while in debug mode, this is normally used to avoid copy or reverse engineering of a deployed application in the market.

If the readout protection mechanism is activated, as soon as Cortex-M0 is halted, any access to Flash memory will return a fixed 0x0 value and generate an AHB error if a debugger tries to read it.

Note that RAM memory debug accesses are also disabled by this lock protection.

Enabling readout protection:

1. Program a secret 64 bit sequence in the last two word address of the user flash. The secret 64 bit sequence can be anything different from 0xFFFFFFFF, 0xFFFFFFFF.

Disable readout protection:

1. Perform a mass erase of the user flash

### 3.11.2.5 Flash command list

The valid command values list for the COMMAND register is reported in the table below.

**Table 110: Flash commands**

| Command name | Description                                                  | Value |
|--------------|--------------------------------------------------------------|-------|
| ERASE        | Erase page defined by register ADDRESS                       | 0x11  |
| MASSERASE    | Mass erase (Flash is completely erased)                      | 0x22  |
| WRITE        | Program one location (defined by registers DATA and ADDRESS) | 0x33  |
| BURSTWRITE   | Burst write operation                                        | 0xCC  |

### 3.11.2.6 Flash interface timing characteristics

**Table 111: Flash interface timing**

| Description                                    | Min. | Unit |
|------------------------------------------------|------|------|
| Page erase time                                | 21.5 | ms   |
| Mass erase time                                | 21.5 | ms   |
| Program time WRITE                             | 44   | µs   |
| Program time BURSTWRITE <sup>(1)</sup> 1 word  | 44   | µs   |
| Program time BURSTWRITE <sup>(1)</sup> 2 words | 65   | µs   |
| Program time BURSTWRITE <sup>(1)</sup> 3 words | 86   | µs   |
| Program time BURSTWRITE <sup>(1)</sup> 4 words | 107  | µs   |

**Notes:**

(1)Burst write procedure skips the 0xFFFF\_FFFF word

### 3.11.3 Flash controller registers

Flash controller peripheral base address (FLASH\_BASE\_ADDR) 0x40100000.

**Table 112: FLASH controller registers**

| Address offset | Name     | RW | Reset      | Description                                                               |
|----------------|----------|----|------------|---------------------------------------------------------------------------|
| 0x00           | COMMAND  | RW | 0x00000000 | Commands for the module                                                   |
| 0x04           | CONFIG   | RW | 0x00000000 | Configure the wrapper                                                     |
| 0x08           | IRQSTAT  | RW | 0x00000000 | Flash status interrupt (masked). Refer to the detailed description below. |
| 0x0C           | IRQMASK  | RW | 0x0000003F | Mask for interrupts. Refer to the detailed description below.             |
| 0x10           | IRQRAW   | RW | 0x00000000 | Status interrupts (unmasked). Refer to the detailed description below.    |
| 0x14           | SIZE     | R  | 0x00009FFF | Indicates the size of the Flash                                           |
| 0x18           | ADDRESS  | RW | 0x00000000 | Address for programming Flash, will auto-increment                        |
| 0x24           | RESERVED | R  | 0xFFFFFFFF | RESERVED                                                                  |
| 0x28           | RESERVED | RW | 0x0B061515 | RESERVED                                                                  |
| 0x2C           | RESERVED | RW | 0x0B156506 | RESERVED                                                                  |
| 0x30           | RESERVED | RW | 0x00000011 | RESERVED                                                                  |
| 0x40           | DATA0    | RW | 0xFFFFFFFF | Program cycle data                                                        |
| 0x44           | DATA1    | RW | 0xFFFFFFFF | Program cycle data                                                        |
| 0x48           | DATA2    | RW | 0xFFFFFFFF | Program cycle data                                                        |
| 0x4C           | DATA3    | RW | 0xFFFFFFFF | Program cycle data                                                        |

**Table 113: FLASH – COMMAND register description: address offset FLASH\_BASE\_ADDR+0x00**

| Bit  | Field name | Reset      | RW | Description             |
|------|------------|------------|----|-------------------------|
| 31:0 | COMMAND    | 0x00000000 | RW | Command for the module. |

**Table 114: FLASH – CONFIG register description: address offset FLASH\_BASE\_ADDR+0x04**

| Bit  | Field name | Reset      | RW | Description            |
|------|------------|------------|----|------------------------|
| 31:0 | CONFIG     | 0x00000000 | RW | Configure the wrapper. |

**Table 115: FLASH - IRQSTAT register description: address offset FLASH\_BASE\_ADDR+0x08**

| Bit | Field name | Reset | RW | Description                                            |
|-----|------------|-------|----|--------------------------------------------------------|
| 0   | CMDDONE    | 0x0   | RW | Command is done. 1: clear the interrupt pending bit.   |
| 1   | CMDSTART   | 0x0   | RW | Command is started.1: clear the interrupt pending bit. |

| Bit  | Field name | Reset | RW | Description                                                     |
|------|------------|-------|----|-----------------------------------------------------------------|
| 2    | CMDERR     | 0x0   | RW | Command written while BUSY. 1: clear the interrupt pending bit. |
| 3    | ILLCMD     | 0x0   | RW | Illegal command written. 1: clear the interrupt pending bit.    |
| 4    | READOK     | 0x0   | RW | Mass read was OK. 1: clear the interrupt pending bit.           |
| 5    | FLNREADY   | 0x0   | RW | Flash not ready (sleep). 1: clear the interrupt pending bit.    |
| 31:6 | RESERVED   | 0x0   | RW | RESERVED                                                        |

**Table 116: FLASH - IRQMASK register description: address offset FLASH\_BASE\_ADDR+0x0C**

| Bit  | Field name | Reset | RW | Description                |
|------|------------|-------|----|----------------------------|
| 0    | CMDDONE    | 0x1   | RW | Command is done.           |
| 1    | CMDSTART   | 0x1   | RW | Command is started.        |
| 2    | CMDERR     | 0x1   | RW | Command written while BUSY |
| 3    | ILLCMD     | 0x1   | RW | Illegal command written    |
| 4    | READOK     | 0x1   | RW | Mass read was OK.          |
| 5    | FLNREADY   | 0x1   | RW | Flash not ready (sleep).   |
| 31:6 | RESERVED   | 0x0   | RW | RESERVED                   |

**Table 117: FLASH - IRQRAW register description: address offset FLASH\_BASE\_ADDR+0x10**

| Bit  | Field name | Reset | RW | Description                |
|------|------------|-------|----|----------------------------|
| 0    | CMDDONE    | 0x0   | RW | Command is done.           |
| 1    | CMDSTART   | 0x0   | RW | Command is started.        |
| 2    | CMDERR     | 0x0   | RW | Command written while BUSY |
| 3    | ILLCMD     | 0x0   | RW | Illegal command written    |
| 4    | READOK     | 0x0   | RW | Mass read was OK.          |
| 5    | FLNREADY   | 0x0   | RW | Flash not ready (sleep).   |
| 31:6 | RESERVED   | 0x0   | RW | RESERVED                   |

**Table 118: FLASH – SIZE register description: address offset FLASH\_BASE\_ADDR+0x14**

| Bit   | Field name | Reset  | RW | Description                                              |
|-------|------------|--------|----|----------------------------------------------------------|
| 15:0  | SIZE       | 0x9FFF | R  | Indicates the size of the flash. 0x9FFF: 160 kB of flash |
| 31:16 | RESERVED   | 0x0000 | R  | RESERVED                                                 |

**Table 119: FLASH – ADDRESS register description: address offset FLASH\_BASE\_ADDR+0x18**

| Bit  | Field name | Reset      | RW | Description                                    |
|------|------------|------------|----|------------------------------------------------|
| 31:0 | ADDRESS    | 0x00000000 | RW | Address for programming flash, auto-increment. |

**Table 120: FLASH – DATA0 register description: address offset FLASH\_BASE\_ADDR+0x40**

| Bit  | Field name | Reset      | RW | Description         |
|------|------------|------------|----|---------------------|
| 31:0 | DATA0      | 0xFFFFFFFF | RW | Program cycle data. |

**Table 121: FLASH – DATA1 register description: address offset FLASH\_BASE\_ADDR+0x44**

| Bit  | Field name | Reset      | RW | Description         |
|------|------------|------------|----|---------------------|
| 31:0 | DATA1      | 0xFFFFFFFF | RW | Program cycle data. |

**Table 122: FLASH – DATA2 register description: address offset FLASH\_BASE\_ADDR+0x48**

| Bit  | Field name | Reset      | RW | Description         |
|------|------------|------------|----|---------------------|
| 31:0 | DATA2      | 0xFFFFFFFF | RW | Program cycle data. |

**Table 123: FLASH – DATA3 register description: address offset FLASH\_BASE\_ADDR+0x4C**

| Bit  | Field name | Reset      | RW | Description         |
|------|------------|------------|----|---------------------|
| 31:0 | DATA3      | 0xFFFFFFFF | RW | Program cycle data. |



All RESERVED fields inside registers must always be written with their default value.

## 3.12 GPIO

### 3.12.1 Introduction

The BlueNRG-1 offers 14 GPIOs (WCSP34 package) or 15 GPIOs (QFN32 package).

The programmable I/O pin can be configured for operating as:

- Programmable GPIOs
- Peripheral input or output line of standard communication interfaces
- PDM processor data/clock
- 2 PWM sources (PWM0 and PWM1 independently configurable) and 4 PWM output pins (IO2, IO3, IO4 and IO5).
- 5 wake-up sources from standby and sleep mode
- Each I/O can generate an interrupt independently to the selected mode. Interrupts are generated depending on a level or edge

### 3.12.2 Functional description

In the table below is reported the GPIO configuration table where at each IO pin is associated the related functions.

Table 124: IO functional map

| Pin name <sup>(1)</sup> | GPIO mode "000" |                       | Mode serial1 '001' |          | Mode serial0 '100' |          | Mode serial2 '101' |          |
|-------------------------|-----------------|-----------------------|--------------------|----------|--------------------|----------|--------------------|----------|
|                         | Type            | Signal                | Type               | Signal   | Type               | Signal   | Type               | Signal   |
| IO0                     | I/O             | GPIO 0                | I                  | UART_CTS | I/O                | SPI_CLK  | -                  | -        |
| IO1                     | I/O             | GPIO 1                | O                  | UART_RTS | I/O                | SPI_CS1  | I                  | PDM_DATA |
| IO2                     | I/O             | GPIO 2                | O                  | PWM0     | O                  | SPI_OUT  | O                  | PDM_CLK  |
| IO3                     | I/O             | GPIO 3                | O                  | PWM1     | I                  | SPI_IN   |                    | -        |
| IO4                     | I/O             | GPIO 4                | I                  | UART_RXD | I/O                | I2C2_CLK | O                  | PWM0     |
| IO5                     | I/O             | GPIO 5                | O                  | UART_TXD | I/O                | I2C2_DAT | O                  | PWM1     |
| IO6                     | I/O             | GPIO 6                | O                  | UART_RTS | I/O                | I2C2_CLK | I                  | PDM_DATA |
| IO7                     | I/O             | GPIO 7                | I                  | UART_CTS | I/O                | I2C2_DAT | O                  | PDM_CLK  |
| IO8                     | I/O             | GPIO 8                | O                  | UART_TXD | I/O                | SPI_CLK  | I                  | PDM_DATA |
| IO9                     | I/O             | GPIO 9                | I                  | SWCLK    | I                  | SPI_IN   | -                  | -        |
| IO10                    | I/O             | GPIO 10               | I                  | SWDIO    | O                  | SPI_OUT  | -                  | -        |
| IO11                    | I/O             | GPIO 11               | I                  | UART_RXD | I/O                | SPI_CS1  | -                  | -        |
| IO12                    | OD              | GPI 12 <sup>(2)</sup> |                    | -        | I/O                | I2C1_CLK | -                  | -        |
| IO13                    | OD              | GPI 13 <sup>(2)</sup> | I                  | UART_CTS | I/O                | I2C1_DAT | -                  | -        |
| IO14                    | I/O             | GPIO 14               | I/O                | I2C1_CLK | I/O                | SPI_CLK  | -                  | -        |

**Notes:**

<sup>(1)</sup>All the I2C pins require external pull-up

<sup>(2)</sup>IO12 and IO13 can only be General Purpose Input pins (not output).

### 3.12.2.1 GPIO interrupts

Each IO in GPIO mode can be used as interrupt source from external signal. The trigger event is both edge and level sensitive according to configuration. All the configuration are reported in table below.

Table 125: GPIO interrupt modes

| Configuration | Interrupt mode |             |            |           |            |
|---------------|----------------|-------------|------------|-----------|------------|
|               | Falling edge   | Rising edge | Both edges | Low level | High level |
| IOIS          | 0              | 0           | 0          | 1         | 1          |
| IOIBE         | 0              | 0           | 1          | NA        | NA         |
| IOIEV         | 0              | 1           | NA         | 0         | 1          |

The interrupt is enabled by writing 1 in the IO\_MIS register, in the position with same number of the IO desired. Once the interrupt occurs, it can be cleared by writing 1 in the IO\_IC register. All the interrupts drive a single interrupt signal of the NVIC.

### 3.12.2.2 GPIO characteristics

By default all the GPIO pins are configured as input with related pull-up or pull-down resistor enabled according to table below.



Table 126: Pin characteristics

| Name | Type | Buffer strength <sup>(1)</sup> | Pull-up / pull-down availability | Reset state     | Default state        |
|------|------|--------------------------------|----------------------------------|-----------------|----------------------|
| IO0  | I/O  | Low / high drive               | Pull-down                        | Input pull-down | GPIO mode            |
| IO1  | I/O  | Low / high drive               | Pull-down                        | Input pull-down | GPIO mode            |
| IO2  | I/O  | Low / high drive               | Pull-down                        | Input pull-down | GPIO mode            |
| IO3  | I/O  | Low / high drive               | Pull-down                        | Input pull-down | GPIO mode            |
| IO4  | I/O  | Low / high drive               | Pull-down                        | Input pull-down | GPIO mode            |
| IO5  | I/O  | Low / high drive               | Pull-down                        | Input pull-down | GPIO mode            |
| IO6  | I/O  | Low / high drive               | Pull-down                        | Input pull-down | GPIO mode            |
| IO7  | I/O  | Low / high drive               | Pull-down                        | Input pull-down | GPIO mode            |
| IO8  | I/O  | Low / high drive               | Pull-down                        | Input pull-down | GPIO mode            |
| IO9  | I/O  | Low / high drive               | Pull- up                         | Input pull-up   | Mode serial1 (SWCLK) |
| IO10 | I/O  | Low / high drive               | Pull- up                         | Input pull-up   | Mode serial1 (SWDIO) |
| IO11 | I/O  | Low / high drive               | Pull-up                          | Input pull-up   | GPIO mode            |
| IO12 | I    | 10 mA                          | No pull                          | Input           | GPIO mode            |
| IO13 | I    | 10 mA                          | No pull                          | Input           | GPIO mode            |
| IO14 | I/O  | Low / high drive               | Pull-down                        | Input pull-down | GPIO mode            |

**Notes:**

<sup>(1)</sup>See [Table 205: "Digital I/O specifications"](#)

All the IOs are in high impedance under reset. In low power modes (sleep and standby) the IOs are configured as follows:

- IO0 to IO8 and IO14 are in high impedance state
- IO9, IO10, IO11 are in input state w/o internal pull according to IO configuration
- IO12 , IO13 are in input state no pull

If IO12 or IO13 is not used, it must be put at GND through pull-down resistor.

As DIO14 is internally bound with the ANATEST0 signal, a short positive pulse of about 75  $\mu$ s is generated at the device reset.

Table 127: IO pull values

| Name                                       | Description name | Min. | Typ. | Max. | Unit       |
|--------------------------------------------|------------------|------|------|------|------------|
| Digital input and output when 1.8 V supply |                  |      |      |      |            |
| RPD                                        | Pull-down value  | 117  | 202  | 363  | k $\Omega$ |
| RPU                                        | Pull-up value    | 135  | 211  | 334  |            |
| Digital input and output when 3.3V supply  |                  |      |      |      |            |
| RPD                                        | Pull-down value  | 53   | 84   | 144  | k $\Omega$ |
| RPU                                        | Pull-up value    | 57   | 81   | 122  |            |

### 3.12.3 GPIO registers

GPIO peripheral base address (GPIO\_BASE\_ADDR) 0x40000000.

**Table 128: GPIO registers**

| Address offset | Name  | RW | Reset      | Description                                                                                                                                                                                     |
|----------------|-------|----|------------|-------------------------------------------------------------------------------------------------------------------------------------------------------------------------------------------------|
| 0x00           | DATA  | RW | 0x00000000 | IO0 to IO14 data value.<br>Writing to a bit drives the written value on the corresponding IO when it is configured in GPIO mode and the output direction. Reading a bit indicates the pin value |
| 0x04           | OEN   | RW | 0x00000000 | GPIO output enable register (1 bit per GPIO)<br>0: input mode<br>1: output mode                                                                                                                 |
| 0x08           | PE    | RW | 0x03FFFFFF | Pull enable (1 bit per IO)<br>0: pull disabled<br>1: pull enabled                                                                                                                               |
| 0x0C           | DS    | RW | 0x00000000 | IO driver strength (1 bit per IO)<br>0: low drive<br>1: high drive                                                                                                                              |
| 0x10           | IS    | RW | 0x00000000 | Interrupt sense register (1 bit per IO)<br>0: edge detection<br>1: level detection                                                                                                              |
| 0x14           | IBE   | RW | 0x00000000 | Interrupt edge register (1 bit per IO)<br>0: single edge<br>1: both edges                                                                                                                       |
| 0x18           | IEV   | RW | 0x00000000 | Interrupt event register (1 bit per IO)<br>0: falling edge or low level<br>1: rising edge or high level                                                                                         |
| 0x1C           | IE    | RW | 0x00000000 | Interrupt mask register (1 bit per IO)<br>0: Interrupt disabled<br>1: Interrupt enabled                                                                                                         |
| 0x24           | MIS   | R  | 0x00000000 | Masked interrupt status register (1 bit per IO)                                                                                                                                                 |
| 0x28           | IC    | W  | 0x00000000 | Interrupt clear register (1 bit per IO)<br>0: no effect<br>1: clear interrupt                                                                                                                   |
| 0x2C           | MODE0 | RW | 0x00000000 | Select mode for IO0 to IO7.<br>000b: GPIO mode<br>001b: Serial1 mode<br>100b: Serial0 mode<br>101b: Serial2 mode<br>Refer to the detailed description below.                                    |

| Address offset | Name  | RW | Reset      | Description                                                                                                                                                  |
|----------------|-------|----|------------|--------------------------------------------------------------------------------------------------------------------------------------------------------------|
| 0x30           | MODE1 | RW | 0x00000110 | Select mode for IO8 to IO14<br>000b: GPIO mode<br>001b: Serial1 mode<br>100b: Serial0 mode<br>101b: Serial2 mode<br>Refer to the detailed description below. |
| 0x3C           | DATS  | RW | 0x00000000 | Set some bits of DATA when in GPIO mode without affecting the others (1 bit per IO).<br>0: no effect.<br>1: set at 1 the bit                                 |
| 0x40           | DATC  | RW | 0x00000000 | Clear some bits of DATA when in GPIO mode without affecting the others (1 bit per IO)<br>0: no effect.<br>1: clear at 0 the bit                              |
| 0x44           | MFTX  | RW | 0x00000000 | Select the IO to be used as capture input for the MFTX timers. Refer to the detailed description below.                                                      |

Table 129: GPIO – DATA register description: address offset GPIO\_BASE\_ADDR+0x00

| Bit  | Field name | Reset      | RW | Description                                                                                                                                                                                      |
|------|------------|------------|----|--------------------------------------------------------------------------------------------------------------------------------------------------------------------------------------------------|
| 31:0 | DATA       | 0x00000000 | RW | IO0 to IO14 data value.<br>Writing to a bit drives the written value on the corresponding IO when it is configured in GPIO mode and the output direction. Reading a bit indicates the pin value. |

Table 130: GPIO – OEN register description: address offset GPIO\_BASE\_ADDR+0x04

| Bit  | Field name | Reset      | RW | Description                                                                                                                              |
|------|------------|------------|----|------------------------------------------------------------------------------------------------------------------------------------------|
| 31:0 | OEN        | 0x00000000 | RW | GPIO output enable register (1 bit per GPIO).<br><ul style="list-style-type: none"> <li>0: Input mode</li> <li>1: Output mode</li> </ul> |

Table 131: GPIO – PE register description: address offset GPIO\_BASE\_ADDR+0x08

| Bit  | Field name | Reset      | RW | Description                                                                                                                  |
|------|------------|------------|----|------------------------------------------------------------------------------------------------------------------------------|
| 31:0 | PE         | 0x03FFFFFF | RW | Pull enable (1 bit per IO).<br><ul style="list-style-type: none"> <li>0: Pull disabled.</li> <li>1: Pull enabled.</li> </ul> |

Table 132: GPIO – DS register description: address offset GPIO\_BASE\_ADDR+0x0C

| Bit  | Field name | Reset      | RW | Description                                                                                                                 |
|------|------------|------------|----|-----------------------------------------------------------------------------------------------------------------------------|
| 31:0 | DS         | 0x00000000 | RW | IO driver strength (1 bit per IO).<br><ul style="list-style-type: none"> <li>0: Low drive</li> <li>1: High drive</li> </ul> |

**Table 133: GPIO – IS register description: address offset GPIO\_BASE\_ADDR+0x10**

| Bit  | Field name | Reset      | RW | Description                                                                                                                                    |
|------|------------|------------|----|------------------------------------------------------------------------------------------------------------------------------------------------|
| 31:0 | IS         | 0x00000000 | RW | Interrupt sense register (1 bit per IO). <ul style="list-style-type: none"> <li>• 0: Edge detection.</li> <li>• 1: Level detection.</li> </ul> |

**Table 134: GPIO – IBE register description: address offset GPIO\_BASE\_ADDR+0x14**

| Bit  | Field name | Reset      | RW | Description                                                                                                                         |
|------|------------|------------|----|-------------------------------------------------------------------------------------------------------------------------------------|
| 31:0 | IBE        | 0x00000000 | RW | Interrupt edge register (1 bit per IO). <ul style="list-style-type: none"> <li>• 0: Single edge</li> <li>• 1: Both edges</li> </ul> |

**Table 135: GPIO – IEV register description: address offset GPIO\_BASE\_ADDR+0x18**

| Bit  | Field name | Reset      | RW | Description                                                                                                                                                         |
|------|------------|------------|----|---------------------------------------------------------------------------------------------------------------------------------------------------------------------|
| 31:0 | IEV        | 0x00000000 | RW | Interrupt event register (1 bit per IO). <ul style="list-style-type: none"> <li>• 0: Falling edge or low level.</li> <li>• 1: Rising edge or high level.</li> </ul> |

**Table 136: GPIO – IE register description: address offset GPIO\_BASE\_ADDR+0x1C**

| Bit  | Field name | Reset      | RW | Description                                                                                                                                       |
|------|------------|------------|----|---------------------------------------------------------------------------------------------------------------------------------------------------|
| 31:0 | IE         | 0x00000000 | RW | Interrupt mask register (1 bit per IO). <ul style="list-style-type: none"> <li>• 0: Interrupt disabled</li> <li>• 1: Interrupt enabled</li> </ul> |

**Table 137: GPIO – MIS register description: address offset GPIO\_BASE\_ADDR+0x24**

| Bit  | Field name | Reset      | RW | Description                                      |
|------|------------|------------|----|--------------------------------------------------|
| 31:0 | MIS        | 0x00000000 | R  | Masked interrupt status register (1 bit per IO). |

**Table 138: GPIO – IC register description: address offset GPIO\_BASE\_ADDR+0x28**

| Bit  | Field name | Reset      | RW | Description                                                                                                                             |
|------|------------|------------|----|-----------------------------------------------------------------------------------------------------------------------------------------|
| 31:0 | IC         | 0x00000000 | W  | Interrupt clear register (1 bit per IO). <ul style="list-style-type: none"> <li>• 0: No effect</li> <li>• 1: Clear interrupt</li> </ul> |

**Table 139: GPIO - MODE0 register description: address offset GPIO\_BASE\_ADDR+0x2C**

| Bit  | Field name | Reset | RW | Description |
|------|------------|-------|----|-------------|
| 2:0  | IO0        | 0x0   | RW | IO0 mode    |
| 3    | RESERVED   | 0x0   | RW | RESERVED    |
| 6:4  | IO1        | 0x0   | RW | IO1 mode    |
| 7    | RESERVED   | 0x0   | RW | RESERVED    |
| 10:8 | IO2        | 0x0   | RW | IO2 mode    |

| Bit   | Field name | Reset | RW | Description |
|-------|------------|-------|----|-------------|
| 11    | RESERVED   | 0x0   | RW | RESERVED    |
| 14:12 | IO3        | 0x0   | RW | IO3 mode    |
| 15    | RESERVED   | 0x0   | RW | RESERVED    |
| 18:16 | IO4        | 0x0   | RW | IO4 mode    |
| 19    | RESERVED   | 0x0   | RW | RESERVED    |
| 22:20 | IO5        | 0x0   | RW | IO5 mode    |
| 23    | RESERVED   | 0x0   | RW | RESERVED    |
| 26:24 | IO6        | 0x0   | RW | IO6 mode    |
| 27    | RESERVED   | 0x0   | RW | RESERVED    |
| 30:28 | IO7        | 0x0   | RW | IO7 mode    |
| 31    | RESERVED   | 0x0   | RW | RESERVED    |

Table 140: GPIO – MODE1 register description: address offset GPIO\_BASE\_ADDR+0x30

| Bit   | Field name | Reset | RW | Description |
|-------|------------|-------|----|-------------|
| 2:0   | IO8        | 0x0   | RW | IO8 mode    |
| 3     | RESERVED   | 0x0   | RW | RESERVED    |
| 6:4   | IO9        | 0x1   | RW | IO9 mode    |
| 7     | RESERVED   | 0x0   | RW | RESERVED    |
| 10:8  | IO10       | 0x1   | RW | IO10 mode   |
| 11    | RESERVED   | 0x0   | RW | RESERVED    |
| 14:12 | IO11       | 0x0   | RW | IO11 mode   |
| 15    | RESERVED   | 0x0   | RW | RESERVED    |
| 18:16 | IO12       | 0x0   | RW | IO12 mode   |
| 19    | RESERVED   | 0x0   | RW | RESERVED    |
| 22:20 | IO13       | 0x0   | RW | IO13 mode   |
| 23    | RESERVED   | 0x0   | RW | RESERVED    |
| 26:24 | IO14       | 0x0   | RW | IO14 mode   |
| 31:27 | RESERVED   | 0x0   | RW | RESERVED    |

Table 141: GPIO – DATS register description: address offset GPIO\_BASE\_ADDR+0x3C

| Bit  | Field name | Reset      | RW | Description                                                                                                                                                                          |
|------|------------|------------|----|--------------------------------------------------------------------------------------------------------------------------------------------------------------------------------------|
| 31:0 | DATS       | 0x00000000 | RW | Set some bits of DATA when in GPIO mode without affecting the others (1 bit per IO). <ul style="list-style-type: none"> <li>• 0: No effect</li> <li>• 1: Set at 1 the bit</li> </ul> |

**Table 142: GPIO – DATC register description: address offset GPIO\_BASE\_ADDR+0x40**

| Bit  | Field name | Reset      | RW | Description                                                                                                                                                                              |
|------|------------|------------|----|------------------------------------------------------------------------------------------------------------------------------------------------------------------------------------------|
| 31:0 | DATC       | 0x00000000 | RW | Clear some bits of DATA when in GPIO mode without affecting the others (1 bit per IO). <ul style="list-style-type: none"> <li>• 0: No effect</li> <li>• 1: Clear at 0 the bit</li> </ul> |

**Table 143: GPIO - MFTX register description: address offset GPIO\_BASE\_ADDR+0x44**

| Bit   | Field name   | Reset | RW | Description                                                                                                                                                |
|-------|--------------|-------|----|------------------------------------------------------------------------------------------------------------------------------------------------------------|
| 7:0   | MFT1_TIMER_A | 0x0   | RW | MFT1 timer A. <ul style="list-style-type: none"> <li>• 0x00: IO0</li> <li>• 0x01: IO1</li> <li>• 0x02: IO2</li> <li>• ...</li> <li>• 0x0E: IO14</li> </ul> |
| 15:8  | MFT1_TIMER_B | 0x0   | RW | MFT1 timer B <ul style="list-style-type: none"> <li>• 0x00: IO0</li> <li>• 0x01: IO1</li> <li>• 0x02: IO2</li> <li>• ...</li> <li>• 0x0E: IO14</li> </ul>  |
| 23:16 | MFT2_TIMER_A | 0x0   | RW | MFT2 timer A <ul style="list-style-type: none"> <li>• 0x00: IO0</li> <li>• 0x01: IO1</li> <li>• 0x02: IO2</li> <li>• ...</li> <li>• 0x0E: IO14</li> </ul>  |
| 31:24 | MFT2_TIMER_B | 0x0   | RW | MFT2 timer B <ul style="list-style-type: none"> <li>• 0x00: IO0</li> <li>• 0x01: IO1</li> <li>• 0x02: IO2</li> <li>• ...</li> <li>• 0x0E: IO14</li> </ul>  |



All RESERVED fields inside registers must always be written with their default value.

### 3.13 MFT

#### 3.13.1 MFT introduction

The BlueNRG-1 integrates two multi functions timers (MFT).

Main features are:

- Two 16-bit programmable timer/counters.
- Two 16-bit reload/capture registers that function either as reload registers or as capture registers, depending on the mode of operation.
- An 8-bit fully programmable clock prescaler.
- Clock source selectors that allow each counter to operate in:
  - Pulse-accumulate mode
  - External-event mode
  - Prescaled system clock mode
  - Slow clock input mode (available only if 32 MHz system clock is used, allows to divide by 2 and obtains a 16 MHz system clock as clock source).
- Two I/O pins (TnA and TnB) with programmable edge detection that operate as:
  - Capture and preset inputs
  - External event (clock) inputs
  - PWM outputs.
- Two interrupts, one for each counter, that can be triggered by a:
  - Timer underflow
  - Timer reload
  - Input capture
  - Pulse train for generation of single or multiple PWM pulses.

### 3.13.2 MFT functional description

The MFT can be configured in five different modes. At each mode is associated a particular function for the two timers both for counter and reload registers as reported in [Table 144: "MFT modes"](#).

Table 144: MFT modes

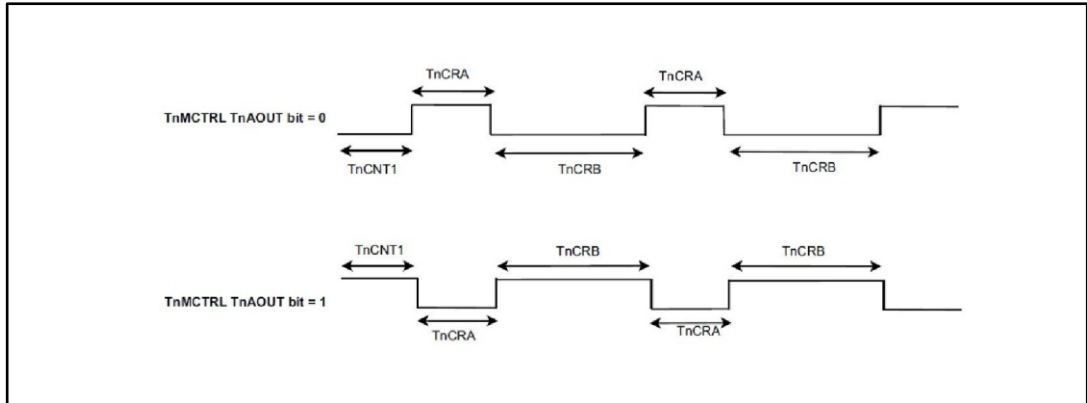
| Mode | Description                                    | Timer Counter 1 (TnCNT1)  | Reload / capture A (TnCRB)                   | Reload / Capture B (TnCRB)                   | Timer Counter 2 (TnCNT2)      |
|------|------------------------------------------------|---------------------------|----------------------------------------------|----------------------------------------------|-------------------------------|
| 1    | PWM and system timer or external event counter | Counter for PWM           | Auto reload A = PWM time 1                   | Auto reload B = PWM time 2                   | System time or external event |
| 1a   | PWM pulse train                                | Counter for PWM           | Auto reload A = PWM time 1                   | Auto reload B = PWM time 2                   | Pulse counter                 |
| 2    | Dual-input capture and system timer            | Capture A and B time base | Capture timer/counter 1 value upon TnA event | Capture Timer/counter 1 value upon TnB event | System timer                  |
| 3    | Dual independent timer                         | Time base for first timer | Reload register for timer/counter 1          | Reload register for timer/counter 2          | Time base for second timer    |
| 4    | Single-input capture and single timer          | Time base for first timer | Reload register for Timer/Counter 1          | Capture timer/counter 1 value upon TnB event | Capture B time base           |

#### 3.13.2.1 MFT mode 1: processor-independent PWM

In Mode1, the timer counter 1 (TnCNT1) can be used to generate a PWM signal on an output pin of the device. In this mode, the PWM output can emulate a clock signal with customized duty-cycle. Indeed, the TnCNT1 is alternatively reloaded by TnCRB and TnCRB registers. The initial value of the PWM output signal can be selected by software to

be either high or low thanks to the TnAOUT bit in TnMCTRL register. This bit impacts which reload value, is used for high level and low level of the PWM signal as shown in [Figure 15: "PWM signal"](#) below.

**Figure 15: PWM signal**



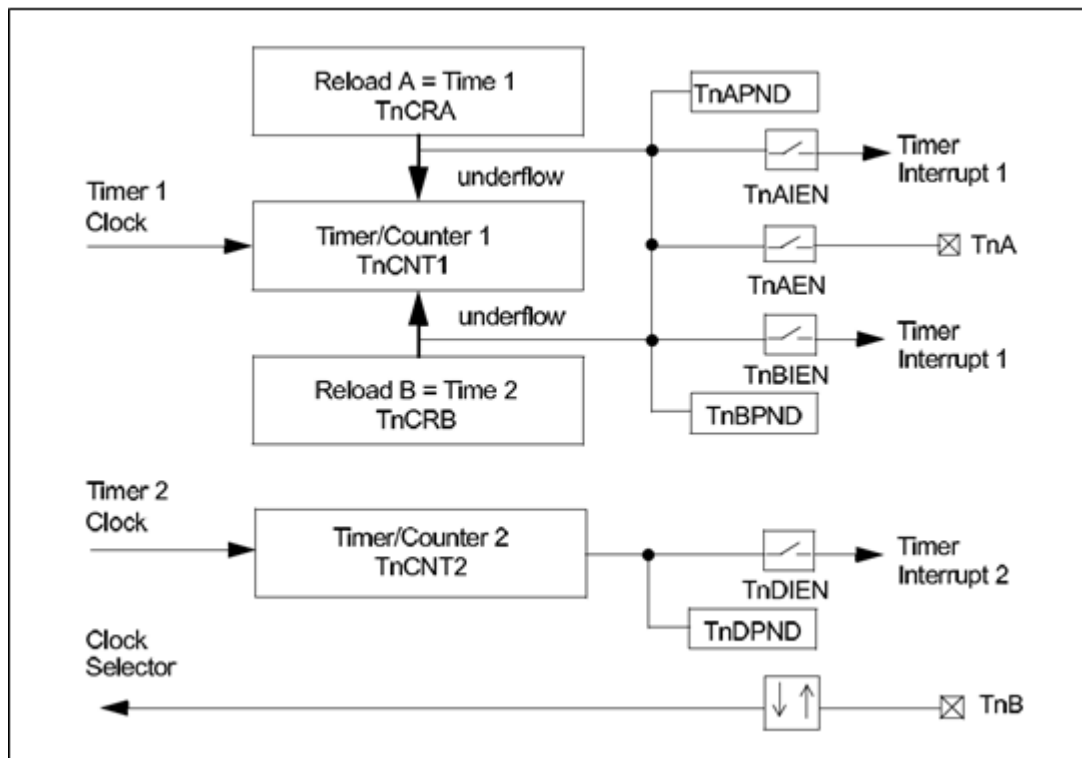
When started the first time, the TnCNT1 starts with value preprogrammed in the register and count down at the clock rate selected by the Timer/counter 1 clock selector (TnCKC register). When an underflow occurs, the TnCNT1 is reloaded alternatively with TnCRB and TnCRB registers (in this order) and counting proceeds downward from the loaded value.

Any time the counter is stopped by choosing "no-clock" by the timer/counter 1 clock selector, it obtains its first reload value after it has been started again from the TnCRB register. Each time the counter is stopped and then restarted, it obtains its first reload value from the TnCRB register. This is true whether the timer is restarted upon reset, after entering mode 1 from another mode, or after stopping and restarting the clock with the Timer/counter1 clock selector.

In figure below the block diagram related to the MFT mode 1.



Figure 16: MFT mode 1 block diagram



In this mode, the timer toggles the TnA output upon underflow which is connected to PWMx pin of the BlueNRG1. This generates a clock signal on TnA with the width and duty cycle controlled by the values stored in the TnCRB and TnCRB registers.

This is a "processor-independent" PWM clock because once the timer is set up, no more interaction is required from the software and the CPU in order to generate the PWM signal.

The timer can generate separate interrupts upon reload from TnCRB and TnCRB. The TnAPND or TnBPND flags, which are set by the hardware upon occurrence of a timer reload, indicate which interrupt has occurred.

In this mode of operation, Timer/counter 2 can be used as a simple system timer or an external-event counter. Counter TnCNT2 counts down with the clock selected by the Timer/counter 2 clock selector, and can be configured to generate an interrupt upon underflow if enabled by the TnDIEN bit.

The interrupts can be enabled or disabled by software.

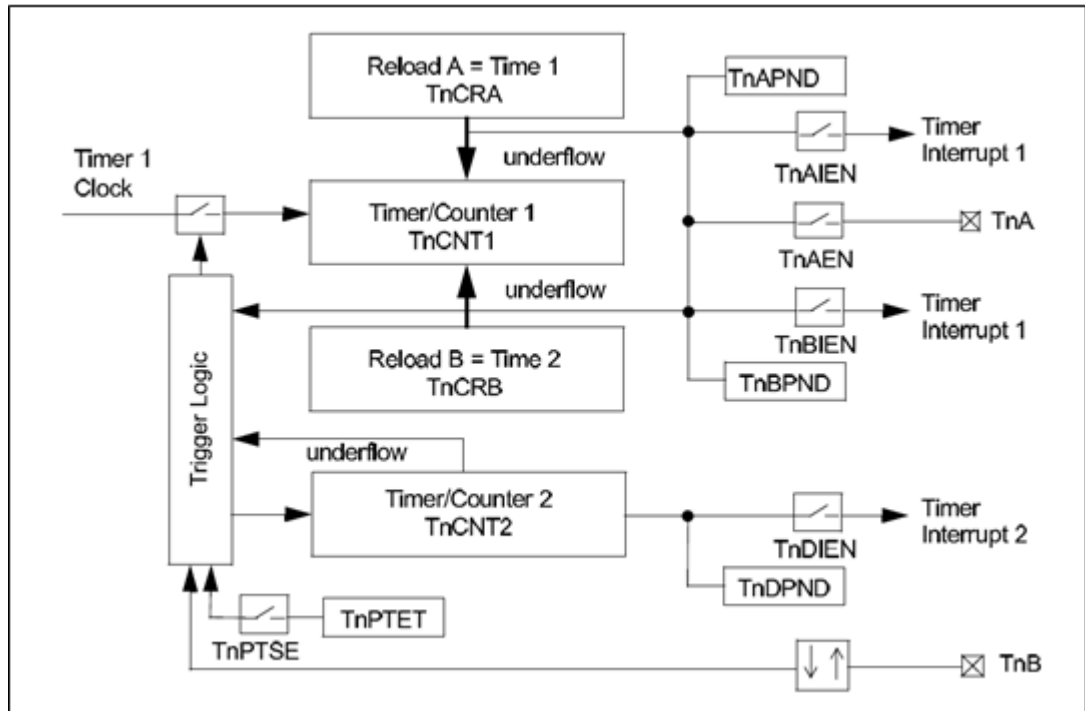
### 3.13.2.2 MFT mode 1a: PWM pulse-train mode

Mode1a is used to output a PWM signal thanks to timer/counter 1 as for Mode1 but only in a time window defined by the Timer/counter2. Indeed, the Timer/counter2 is used to specify the number of pulses to output on the IO. The Mode1a corresponds to the Mode1 selected in the TnMDSEL field of TnMCTRL register with in addition the TnP TEN bit set in the TnMCTRL register. In Mode1a, the timer/counter 1 (TnCNT1) alternatively is reloaded by TnCRB and TnCRB registers after starting from TnCT1 as for Mode1 and toggle the TnA output of the MFT connected to PWMx IO each time an underflow occurs. In parallel, a trigger pulse is sent to Timer/Counter 2 (TnCNT2), decrementing it by one. If timer/counter 2 (TnCNT2) has reached the underflow condition and the end-of-pulse condition is

detected by the trigger logic as well, the clock of timer/counter 1 (TnCNT1) is disabled immediately.

The figure below shows the block diagram related to the MFT mode 1a.

Figure 17: MFT mode 1a block diagram



In Mode 1a, timer/counter 2 (TnCNT2) behaves differently from the way it behaves in modes 1 to 4. If an underflow condition occurs, the counter is preset to 0x0000 and not 0xFFFF.

The timer/counter 1 starts to count:

- either on an external event on TnB input,
- or by software if TnPTSE bit has been set by setting the TnPTET bit.



The start of count request through TnPTET bit setting when software trigger option is chosen must be done after the MFT is enabled (TnEN bit in TnMCTRL register).

Any time the counter is stopped by choosing "no-clock" by the timer/counter 1 clock selector (TnCKC register), it obtains its first reload value after it has been started again from the TnCRB register. Upon reset, the MFT is disabled. Every time this mode is entered, the first reload in this mode will be from register TnCRB. Once the underflow condition for TnCNT2 has been reached, TnCNT2 must be initialized again by the application. It is not reloaded by any reload register.

Timer/counter 2 can be configured to generate an interrupt upon underflow if enabled by the TnDIEN bit.

In pulse-train mode, the value of TnCNT2 specifies the number of pulses to be generated, plus one additional pulse (TnCNT2+1 number of pulses).

In pulse-train mode, the trigger logic uses events on TnB to enable the timer/counter 1 clock. This function has to be enabled by setting the TnPTSE bit to 0.

TnB can be configured to sense either positive-going or negative-going transitions.

Timer/Counter 1 can be configured to toggle the TnA output bit upon underflow. This results in the generation of a pulse signal on TnA, with the width and duty cycle controlled by the values stored in the TnCRB and TnCRB registers. This is a processor-independent PWM signal because once the timer is set up, no more interaction is required from the software or the CPU in order to generate one or more PWM signal pulses. The initial value of the PWM output signal can be selected by software to be either high or low.

The timer can be configured to generate separate interrupts upon reload from TnCRB and TnCRB. The TnAPND or TnBPND flags, which are set by the hardware upon occurrence of a timer reload, indicate which interrupt has occurred. The interrupts can be enabled or disabled under software control.

### 3.13.2.3 MFT mode 2: dual-input capture mode

The Mode2 is used to capture transitions on two selected input pads of the device. The Timer/Counter1 can be used to manage the dual-capture feature as follows:

- A transition on input pad connected to TnA pin of the MFT generates a transfer of TnCNT1 register value in TnCRB register.
- A transition on input pad connected to TnB pin of the MFT generates a transfer of TnCNT1 register value in TnCRB register.

The Timer/counter2 can be used:

- As a system counter: to count down at the rate of the selected clock.

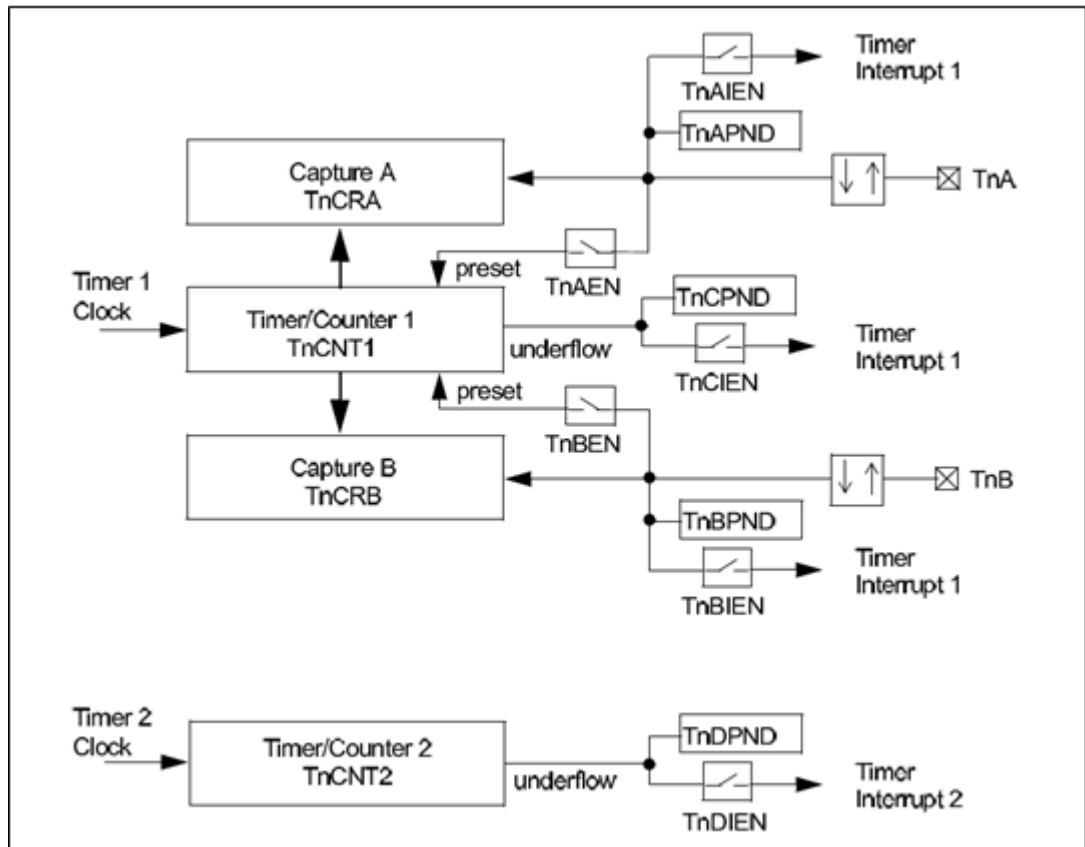
Note: the device input pad selection is done using MFTX\_IOSEL register.

The transition edge to capture has to be defined in TnAEDG and TnBEDG bits of the TnMCTRL register.

The TnA and TnB inputs can be configured to perform a counter pReset to 0xFFFF upon reception of a valid capture event using TnAEN and TnBEN bits in TnMCTRL register. In this case, the current value of the counter is transferred to the corresponding capture register and then the counter is pReset to 0xFFFF. Using this approach directly allows the software to determine the on-time, off-time, or period of an external signal, while reducing CPU overhead.

In [Figure 18: "MFT mode 2 block diagram"](#) below the block diagram related to the MFT mode 2.

Figure 18: MFT mode 2 block diagram



The input signal on TnA and TnB must have a pulse width equal to or greater than one system clock cycle. The values captured in the TnCRB register at different times reflect the elapsed time between transitions on the TnA pin. The same is true for the TnCRB register and TnB pin. Each input pin can be configured to sense either positive-going or negative-going transitions.

The timer can be configured to generate interrupts on reception of a transition on either TnA or TnB, which can be enabled or disabled separately by the TnAIEN and TnBIEN bits. An underflow of TnCNT1 can generate an interrupt if enabled by the TnCIEN bit.

Timer/counter 2 can be used as a simple system timer in this mode of operation. TnCNT2 counts down with the clock selected by the Timer/counter 2 clock selector, and can be configured to generate an interrupt upon underflow if enabled by the TnDIEN bit.

TnCNT1 cannot operate in the pulse-accumulate or external-event counter modes, since the TnB input is used as a capture input. Selecting either of these modes for TnCNT1 causes TnCNT1 to be stopped. However, all available clock source modes may be selected for TnCNT2. Thus, it is possible to determine the number of capture events on TnB or the elapsed time between capture events on TnB by using TnCNT2.

**3.13.2.4 MFT mode 3: dual independent timer/counter mode**

This Mode3 allows using the two timer/ ounter 1 and 2 separately.

The timer/ counter1 can be used:

- As a system counter: to count down at the rate of the selected clock.

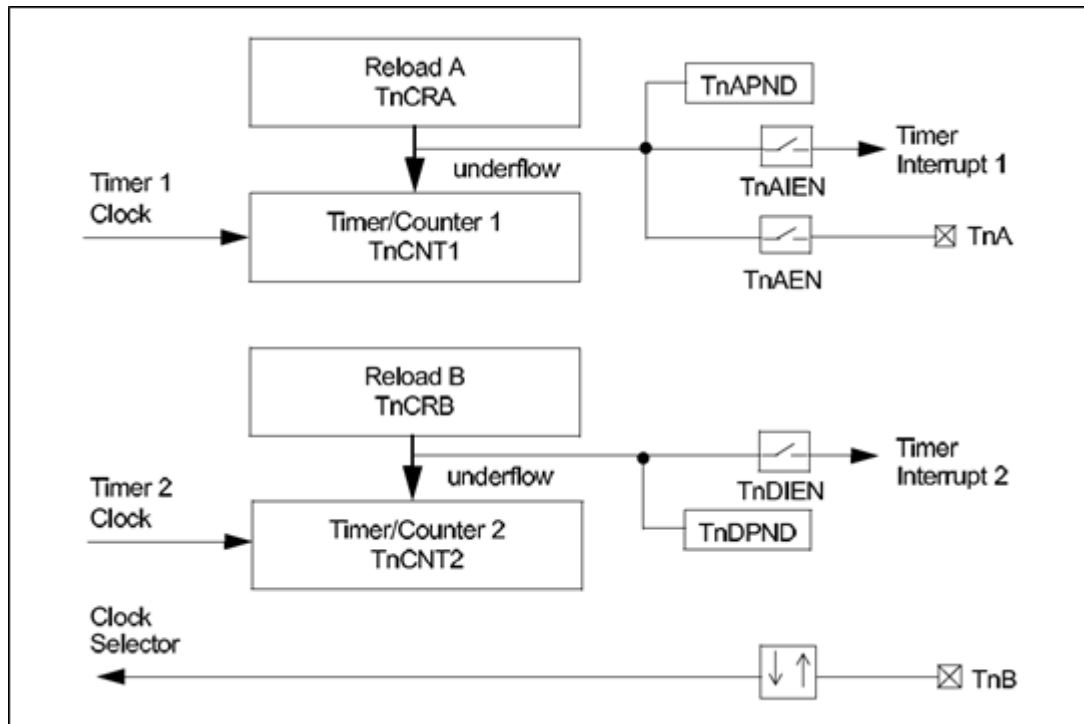
- To generate a 50% duty-cycle clock signal on TnA pin connected to the PWMx pin of the device (TnCNT1 reloaded by TnCRB on underflow).
- To be an event counter using TnB pin as an external event or pulse-accumulate input.

The timer/counter2 can be used:

- As a system counter: to count down at the rate of the selected clock.
- To be an event counter using TnB pin as an external event or pulse-accumulate input.

In figure below the block diagram related to the MFT mode 3.

Figure 19: MFT mode 3 block diagram



In Mode 3, the timer/counter is configured to operate as a dual independent system timer or dual external-event counter. In addition, timer/counter 1 can generate a 50% duty cycle PWM signal on the TnA pin. The TnB pin can be used as an external-event input or pulse-accumulate input, and serve as the clock source to either Timer/Counter 1 or Timer/Counter 2. Both counters can also be operated from the prescaled system clock.

Timer/Counter 1 (TnCNT1) counts down at the rate of the selected clock. Upon underflow, TnCNT1 is reloaded from the TnCRB register and counting proceeds. If enabled, the TnA pin toggles upon underflow of TnCNT1. The initial value of the TnA output can be selected by software to be either high or low. In addition, the TnAPND interrupt-pending flag is set, and a timer interrupt 1 is generated if the TnAIEN bit is set. Since TnA toggles upon every underflow, a 50% duty-cycle PWM signal can be generated on TnA without requiring any interaction of the software or the CPU.

Timer/Counter 2 (TnCNT2) counts down at the rate of the selected clock. Upon every underflow of TnCNT2, the value contained in the TnCRB register is loaded into TnCNT2 and counting proceeds downward from that value. In addition, the TnDPND interrupt-pending flag is set and a timer interrupt 2 is generated if the TnDIEN bit is set.

### 3.13.2.5 MFT mode 4: input-capture plus timer mode

This Mode4 is combination of Mode3 and Mode2.

The timer/counter1 can be used:

- As a system counter: to count down at the rate of the selected clock.
- To generate a 50% duty-cycle clock signal on TnA pin connected to the PWMx pin of the device (TnCNT1 reloaded by TnCRB on underflow).

The Timer/Counter2 can be used:

- As a system counter: to count down at the rate of the selected clock.
- A transition on input pad connected to TnB pin of the MFT generates a transfer of TnCNT2 register value in TnCRB register.

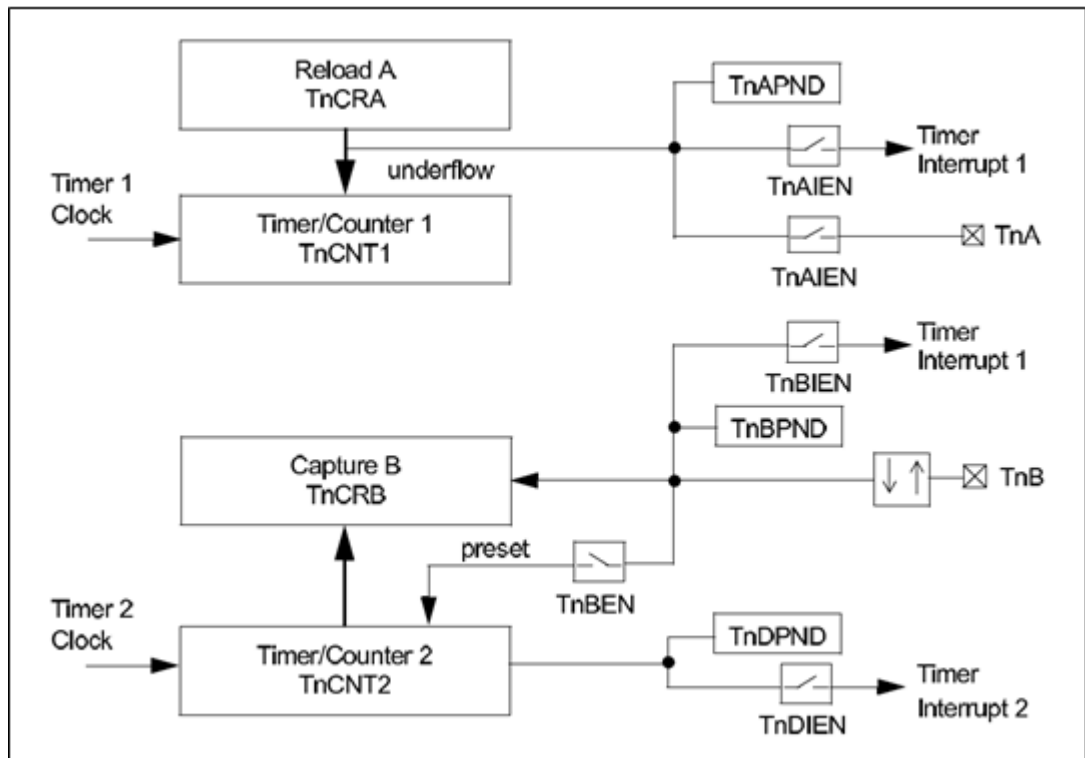


The device input pad selection is done using MFTX\_IOSEL register

The transition edge to capture has to be defined in TnBEDG bit of the TnMCTRL register. The TnB input can be configured to perform a counter pReset to 0xFFFF upon reception of a valid capture event using TnBEN bit in TnMCTRL register.

In figure below the block diagram related to the MFT mode 4.

Figure 20: MFT mode 4 block diagram



This mode is a combination of mode 3 and mode 2, and makes it possible to operate timer/counter 2 as a single input-capture timer while Timer/Counter 1 can be used as a system timer as described above.

TnCNT1 starts counting down once a clock has been enabled. Upon underflow, TnCNT1 is reloaded from the TnCRB register, and counting proceeds downward from that value. If enabled, the TnA pin toggles upon every underflow of TnCNT1. The initial value of the TnA output signal can be selected by software to be either high or low. In addition, the TnAPND interrupt-pending flag is set and a timer interrupt 1 is generated if the TnAIEN bit is set.

Since TnA toggles upon every underflow, a 50% duty-cycle PWM signal can be generated on TnA without requiring any interaction with the software or the CPU.

TnCNT2 starts counting down once a clock has been enabled. When a transition is received on TnB, the value contained in TnCNT2 is transferred to TnCRB, and the interrupt-pending flag TnBPND is set. A timer interrupt 1 is generated if enabled. The software can enable a pReset of the counter to 0xFFFF upon detection of a transition on TnB. In this case, the current value of TnCNT2 is transferred to TnCRB, followed by a pReset of the counter to 0xFFFF. TnCNT2 starts counting downwards from 0xFFFF until the next transition is received on TnB, which causes the procedure of capture and pReset to be repeated. The underflow of TnCNT2 causes the TnDPND interrupt-pending flag to be set, and can also generate a timer interrupt 2 if enabled. The input signal on TnB must have a pulse width equal to or greater than one system clock cycle. TnB can be configured to sense either rising or falling edges. TnCNT2 cannot operate in the pulse-accumulate or external-event counter modes since the TnB input is used as a capture input. Selecting either of these modes for TnCNT2 causes TnCNT2 to be stopped. However, all available clock source modes may be selected for TnCNT1. Thus by using TnCNT1, it is possible to determine the number of capture events on TnB, or the elapsed time between capture events on TnB.

### 3.13.2.6 Timer IO functions

There are two pins associated with each instance of the MFTX. The pins are called TnA and TnB. The functionality of TnA and TnB depends on the mode of operation and the value of the TnAEN and TnBEN bits. [Table 145: "MFT IO functions"](#) shows the function of TnA and TnB for various modes of operation. Note that if TnA functions as a PWM output, TnAOUT defines the initial and present value of TnA. For example, if the user wishes to start with TnA high, TnAOUT needs to be set before enabling the timer clock.

Table 145: MFT IO functions

| Pin | TnAEN<br>TnBEN         | Mode 1                                   | Mode 1a                              | Mode 2                                      | Mode 3                                   | Mode 4                                      |
|-----|------------------------|------------------------------------------|--------------------------------------|---------------------------------------------|------------------------------------------|---------------------------------------------|
|     |                        | PWM and counter                          | PWM pulse train                      | Dual-input capture and counter              | Dual independent counter                 | Input capture plus timer                    |
| TnA | TnAEN = 0<br>TnBEN = X | No output                                | No output                            | Capture TnCNT1 into TnCRB                   | No output toggle                         | No output toggle                            |
|     | TnAEN = 1<br>TnBEN = X | Toggle output on underflow of TnCNT1     | Toggle output on underflow of TnCNT1 | Capture TnCNT1 into TnCRB and preset TnCNT1 |                                          | Toggle output on underflow of TnCNT1        |
| TnB | TnAEN = X<br>TnBEN = 0 | External event or pulse accumulate input | External event if TnPTSE = 0         | Capture TnCNT1 into TnCRB                   | External event or pulse accumulate input | Capture TnCNT2 into TnCRB                   |
|     | TnAEN = X<br>TnBEN = 1 | External event or pulse accumulate input | External event if TnPTSE = 0         | Capture TnCNT1 into TnCRB and preset TnCNT1 | External event or pulse accumulate input | Capture TnCNT2 into TnCRB and preset TnCNT2 |

### 3.13.2.7 IO configuration linked to MFT timers

The MFT timers can be connected to the BlueNRG1 IO pins for the following features:

- Input signal to trig the timer in capture mode.
- Output signal when PWM mode is used (clock output emulation with controlled duty cycle)

In capture mode, the timer waits for an external IO event to start counting. The chosen IO for capture is programmed through IOSEL\_MFTX register in IO peripheral. This register allows configuring input capture IO for timers A and B of both MFT1 and MFT2, depending on which timer(s) are configured in capture mode.

In PWM mode, the signal is output on PWM0 IO for MFT1 and PWM1 for MFT2. Those IOs are available at different location thanks to alternate option. So to output the chosen PWM signal, it is necessary to configure the IO with the dedicated mode.

### 3.13.2.8 Timer interrupts

All sources have a pending flag associated with them, and can be enabled or disabled by software. The pending flags are named TnXPND, where n denotes the instance of the module, and X represents a letter from A to D. An interrupt enable flag (TnXIEN) is associated with each interrupt-pending flag. Interrupt sources A, B and C can each generate a timer interrupt MFT1A for MFT1 and MFT2A for MFT2, whereas interrupt source D can generate a timer interrupt MFT1B for MFT1 and MFT2B for MFT2. Not all interrupt sources are available in all modes. [Table 146: "MFT interrupt functions"](#) shows which events can trigger an interrupt in which mode of operation.

**Table 146: MFT interrupt functions**

| Sys. Int.                   | Interrupt pending flag | Mode 1                   | Mode 1a                  | Mode 2                          | Mode 3                   | Mode 4                          |
|-----------------------------|------------------------|--------------------------|--------------------------|---------------------------------|--------------------------|---------------------------------|
|                             |                        | PWM and counter          | PWM pulse train          | Dual-input capture and counter  | Dual independent counter | Input capture plus timer        |
| Timer int. 1 (MFT1A, MFT2A) | TnAPND                 | TnCNT1 reload from TnCRA | TnCNT1 reload from TnCRA | Input capture on TnA transition | TnCNT1 reload from TnCRA | TnCNT1 reload from TnCRA        |
|                             | TnBPND                 | TnCNT1 reload from TnCRB | TnCNT1 reload from TnCRB | Input capture on TnB transition | N/A                      | Input capture on TnB transition |
|                             | TnCPND                 | N/A                      | N/A                      | TnCNT1 underflow                | N/A                      | N/A                             |
| Timer int. 2 (MFT1B, MFT2B) | TnDPND                 | TnCNT2 underflow         | TnCNT2 underflow         | TnCNT2 underflow                | TnCNT2 reload from TnCRB | TnCNT2 underflow                |

### 3.13.3 MFT registers

MFT1 peripheral base address (MFT1\_BASE\_ADDR) 0x40D00000.

MFT2 peripheral base address (MFT2\_BASE\_ADDR) 0x40E00000.



Table 147: MFTX registers

| Address offset | Name    | RW | Reset      | Description                                                                |
|----------------|---------|----|------------|----------------------------------------------------------------------------|
| 0x00           | TNCNT1  | RW | 0x00000000 | Timer / counter1 register                                                  |
| 0x04           | TnCRA   | RW | 0x00000000 | Capture / reload A register                                                |
| 0x08           | TNCRB   | RW | 0x00000000 | Capture / reload B register                                                |
| 0x0C           | TNCNT2  | RW | 0x00000000 | Timer / counter2 register                                                  |
| 0x10           | TNPRSC  | RW | 0x00000000 | Clock prescaler register                                                   |
| 0x14           | TNCKC   | RW | 0x00000000 | Clock unit control register. Refer to the detailed description below.      |
| 0x18           | TNMCTRL | RW | 0x00000000 | Timer mode control register. Refer to the detailed description below.      |
| 0x1C           | TNICTRL | RW | 0x00000000 | Timer interrupt control register. Refer to the detailed description below. |
| 0x20           | TNICLR  | RW | 0x00000000 | Timer interrupt clear register. Refer to the detailed description below.   |

Table 148: MFTX – TNCNT1 register description: address offset MFTX\_BASE\_ADDR+0x00

| Bit   | Field name | Reset  | RW | Description                 |
|-------|------------|--------|----|-----------------------------|
| 15:0  | TNCNT1     | 0x0000 | RW | Register counter of timer1. |
| 31:16 | RESERVED   | 0x0    | RW | RESERVED                    |

Table 149: MFTX – TNCRA register description: address offset MFTX\_BASE\_ADDR+0x04

| Bit   | Field name | Reset  | RW | Description                |
|-------|------------|--------|----|----------------------------|
| 31:0  | TNCRA      | 0x0000 | RW | Register capture/reload A. |
| 31:16 | RESERVED   | 0x0    | RW | RESERVED                   |

Table 150: MFTX – TNCRB register description: address offset MFTX\_BASE\_ADDR+0x08

| Bit   | Field name | Reset  | RW | Description                |
|-------|------------|--------|----|----------------------------|
| 31:0  | TNCRB      | 0x0000 | RW | Register capture/reload B. |
| 31:16 | RESERVED   | 0x0    | RW | RESERVED                   |

Table 151: MFTX – TNCNT2 register description: address offset MFTX\_BASE\_ADDR+0x0C

| Bit   | Field name | Reset  | RW | Description                 |
|-------|------------|--------|----|-----------------------------|
| 31:0  | TNCNT2     | 0x0000 | RW | Register counter of timer2. |
| 31:16 | RESERVED   | 0x0    | RW | RESERVED                    |

Table 152: MFTX – TNPRSC register description: address offset MFTX\_BASE\_ADDR+0x10

| Bit  | Field name | Reset | RW | Description               |
|------|------------|-------|----|---------------------------|
| 7:0  | TNPRSC     | 0x00  | RW | Clock prescaler register. |
| 31:8 | RESERVED   | 0x0   | RW | RESERVED                  |

Table 153: MFTX - TNCKC register description: address offset MFTX\_BASE\_ADDR+0x14

| Bit  | Field name | Reset | RW | Description                                                                                                                                                                                                                                                                                                                  |
|------|------------|-------|----|------------------------------------------------------------------------------------------------------------------------------------------------------------------------------------------------------------------------------------------------------------------------------------------------------------------------------|
| 2:0  | TNC1CSEL   | 0x0   | RW | Define the clock mode for timer/counter 1: <ul style="list-style-type: none"> <li>000b: No clock (timer/counter 1 stopped).</li> <li>001b: Prescaled system clock.</li> <li>010b: External event on TnB (mode 1 and 3 only).</li> <li>011b: Pulse accumulate (mode 1 and 3 only).</li> <li>100b: Low-speed clock.</li> </ul> |
| 5:3  | TNC2CSEL   | 0x0   | RW | Define the clock mode for timer/counter 2: <ul style="list-style-type: none"> <li>000b: No clock (timer/counter 2 stopped).</li> <li>001b: Prescaled system clock.</li> <li>010b: External event on TnB (mode 1 and 3 only).</li> <li>011b: Pulse accumulate (mode 1 and 3 only).</li> <li>100b: Low-speed clock.</li> </ul> |
| 31:6 | RESERVED   | 0x0   | RW | RESERVED                                                                                                                                                                                                                                                                                                                     |

Table 154: MFTX - TNMCTRL register description: address offset MFTX\_BASE\_ADDR+0x18

| Bit | Field name | Reset | RW | Description                                                                                                                                                                                                                                                                                                |
|-----|------------|-------|----|------------------------------------------------------------------------------------------------------------------------------------------------------------------------------------------------------------------------------------------------------------------------------------------------------------|
| 1:0 | TNMDSEL    | 0x0   | RW | MFTX mode select: <ul style="list-style-type: none"> <li>00b: Mode 1 or 1a: PWM mode and system timer or pulse train</li> <li>01b: Mode 2: dual-input capture and system timer</li> <li>10b: Mode 3: dual independent timer/counter</li> <li>11b: Mode 4: Single timer and single input capture</li> </ul> |
| 2   | TNAEDG     | 0x0   | RW | TnA edge polarity:<br>0: Input is sensitive to falling edges.<br>1: Input is sensitive to rising edges.                                                                                                                                                                                                    |
| 3   | TNBEDG     | 0x0   | RW | TnB edge polarity:<br>0: Input is sensitive to falling edges.<br>1: Input is sensitive to rising edges.                                                                                                                                                                                                    |
| 4   | TNAEN      | 0x0   | RW | TnA enable:<br>0: TnA in disable.<br>1: TnA in enable.                                                                                                                                                                                                                                                     |
| 5   | TNBEN      | 0x0   | RW | TnB enable:<br>0: TnB in disable.<br>1: TnB in enable.                                                                                                                                                                                                                                                     |
| 6   | TNAOUT     | 0x0   | RW | TnA output data:<br>0: Pin is low.<br>1: Pin is high.                                                                                                                                                                                                                                                      |
| 7   | TNEN       | 0x0   | RW | MFTX enable:0: MFTX disable.1: MFTX enable.                                                                                                                                                                                                                                                                |
| 8   | TNPTEN     | 0x0   | RW | Tn pulse-train mode enable:<br>0: Mode 1a not selected.<br>1: Mode 1a selected (if TNMDSEL = 00).                                                                                                                                                                                                          |

| Bit   | Field name | Reset | RW | Description                                                                                                                       |
|-------|------------|-------|----|-----------------------------------------------------------------------------------------------------------------------------------|
| 9     | TNPTSE     | 0x0   | RW | Tn pulse-train software trigger enable:0: No effect.1: Pulse-train generation trigger (in mode 1a)                                |
| 10    | TNPTET     | 0x0   | RW | Tn pulse-train event trigger:<br>0: No pulse-train event trigger occurred.<br>1: Pulse-train event trigger occurred (in mode 1a). |
| 31:11 | RESERVED   | 0x0   | RW | RESERVED                                                                                                                          |

Table 155: MFTX - TNICTRL register description: address offset MFTX\_BASE\_ADDR+0x1C

| Bit  | Field name | Reset | RW | Description                                                                                   |
|------|------------|-------|----|-----------------------------------------------------------------------------------------------|
| 0    | TNAPND     | 0x0   | R  | Timer interrupt A pending:<br>0: No interrupt source pending.<br>1: Interrupt source pending. |
| 1    | TNBPND     | 0x0   | R  | Timer interrupt B pending:<br>0: No interrupt source pending.<br>1: Interrupt source pending. |
| 2    | TNCPND     | 0x0   | R  | Timer interrupt C pending:<br>0: No interrupt source pending.<br>1: Interrupt source pending. |
| 3    | TNDPND     | 0x0   | R  | Timer interrupt D pending:<br>0: No interrupt source pending.<br>1: Interrupt source pending. |
| 4    | TNAIEN     | 0x0   | RW | Timer interrupt A enable:<br>0: Interrupt disabled.<br>1: Interrupt enabled.                  |
| 5    | TNBIEN     | 0x0   | RW | Timer interrupt B enable:<br>0: Interrupt disabled.<br>1: Interrupt enabled.                  |
| 6    | TNCIEN     | 0x0   | RW | Timer interrupt C enable:<br>0: Interrupt disabled.<br>1: Interrupt enabled                   |
| 7    | TNDIEN     | 0x0   | RW | Timer interrupt D enable:<br>0: Interrupt disabled.<br>1: Interrupt enabled.                  |
| 31:8 | RESERVED   | 0x0   | RW | RESERVED                                                                                      |

Table 156: MFTX - TNICLR register description: address offset MFTX\_BASE\_ADDR+0x20

| Bit | Field name | Reset | RW | Description                        |
|-----|------------|-------|----|------------------------------------|
| 0   | TNACLR     | 0x0   | W  | 1: clear the timer pending flag A  |
| 1   | TNBCLR     | 0x0   | W  | 1: clear the timer pending flag B. |
| 2   | TNCCLR     | 0x0   | W  | 1: clear the timer pending flag C. |
| 3   | TNDCLR     | 0x0   | W  | 1: clear the timer pending flag D. |

| Bit  | Field name | Reset | RW | Description |
|------|------------|-------|----|-------------|
| 31:4 | RESERVED   | 0x0   | W  | RESERVED    |



All RESERVED fields inside registers must always be written with their default value.

## 3.14 Watchdog

### 3.14.1 Introduction

The watchdog timer provides a way of recovering from software crashes.

The watchdog monitors the interrupt and asserts a reset signal if the interrupt remains unserved for the entire programmed period.

The watchdog clock is used to generate a regular interrupt, depending on a programmed value. It is counting down at a fixed frequency around 32.768 kHz provided either by embedded RCO or by the external XO 32 kHz.

Main features are:

- 32-bit down counter at fixed frequency 32.768 kHz
- Generate an interrupt each time the counter reaches zero
- Generate an internal reset that reboot the system if the generated interrupt is not cleared by software and a second interrupt occurs

### 3.14.2 Functional description

The watchdog timer is a 32-bit down counter that divides the clock input to produce an interrupt. The divide ratio is fully programmable and controls the interrupt interval, which can be calculated as:

Interrupt interval = (WDT\_LOAD + 1) / (clock frequency in Hz).

The table below shows examples of WDT\_LOAD values.

**Table 157: Watchdog interrupt interval**

| WDT_LOAD   | Interrupt interval (ms) |
|------------|-------------------------|
| 4294967295 | 131072000               |
| 65535      | 2000                    |
| 32767      | 1000                    |
| 4095       | 125                     |
| 127        | 3.90625                 |
| 63         | 1.953125                |
| 1          | 0.0610                  |

A watchdog interrupt is generated each time the counter reaches zero. The counter is then reloaded with the content of the WDT\_LR register. The interrupt status should be cleared by writing to the interrupt clear register. When the interrupt is cleared, the counter is

reloaded with the WDT\_LOAD value. If the interrupt status is not cleared and a new interrupt is generated, then a watchdog Reset is generated, rebooting the system.

The watchdog interrupt and Reset generation can be enabled or disabled as required by the system using the relevant bits in the control register. When the interrupt generation is disabled the watchdog counter is also stopped, and when the interrupt is enabled the counter will start from the programmed value, not the last-count value.

Write access to the registers within the watchdog timer can be disabled in the watchdog lock register. Writing a value of 0x1ACC\_E551 to this WDT\_LOCK register allows write access to all other registers; writing any other value disables write access. This feature is included to allow some protection against software that might otherwise disable the watchdog functionality.

### 3.14.3 Watchdog registers

WDG peripheral base address (WDG\_BASE\_ADDR) 0x40700000.

**Table 158: WDG registers**

| Address offset | Name | RW | Reset      | Description                                                                         |
|----------------|------|----|------------|-------------------------------------------------------------------------------------|
| 0x00           | LR   | RW | 0xFFFFFFFF | Watchdog load register. Refer to the detailed description below.                    |
| 0x04           | VAL  | R  | 0xFFFFFFFF | Watchdog value register. Refer to the detailed description below.                   |
| 0x08           | CR   | RW | 0x00000000 | Watchdog control register. Refer to the detailed description below.                 |
| 0x0C           | ICR  | RW | 0x00000000 | Watchdog interrupt clear register. Refer to the detailed description below.         |
| 0x10           | RIS  | R  | 0x00000000 | Watchdog raw interrupt status register. Refer to the detailed description below.    |
| 0x14           | MIS  | R  | 0x00000000 | Watchdog masked interrupt status register. Refer to the detailed description below. |
| 0xC00          | LOCK | RW | 0x00000000 | Watchdog Lock register. Refer to the detailed description below.                    |

**Table 159: WDG - LR register description: address offset WDG\_BASE\_ADDR+0x00**

| Bit  | Field name | Reset      | RW | Description                                                                                                                                                 |
|------|------------|------------|----|-------------------------------------------------------------------------------------------------------------------------------------------------------------|
| 31:0 | LOAD       | 0xFFFFFFFF | RW | Watchdog load value. Value from which the counter is to decrement. When this register is written to, the count is immediately restarted from the new value. |

**Table 160: WDG - VAL register description: address offset WDG\_BASE\_ADDR+0x04**

| Bit  | Field name | Reset      | RW | Description                                                                                                               |
|------|------------|------------|----|---------------------------------------------------------------------------------------------------------------------------|
| 31:0 | WDTVVAL    | 0xFFFFFFFF | R  | Watchdog current value. When read, returns the current value of the decrementing watchdog counter. A write has no effect. |

**Table 161: WDG - CR register description: address offset WDG\_BASE\_ADDR+0x08**

| Bit  | Field name | Reset | RW | Description                                                                                                                       |
|------|------------|-------|----|-----------------------------------------------------------------------------------------------------------------------------------|
| 0    | INTEN      | 0x0   | RW | Watchdog interrupt enable. Enable the interrupt event:<br>0: watchdog interrupt is disabled.<br>1: watchdog interrupt is enabled. |
| 1    | RESEN      | 0x0   | RW | Watchdog reset enable. Enable the watchdog reset output:<br>0: watchdog reset is disabled.<br>1: watchdog reset is enabled.       |
| 31:2 | RESERVED   | 0x0   | RW | RESERVED                                                                                                                          |

**Table 162: WDG - ICR register description: address offset WDG\_BASE\_ADDR+0x0C**

| Bit  | Field name | Reset | RW | Description                                                                                                                                            |
|------|------------|-------|----|--------------------------------------------------------------------------------------------------------------------------------------------------------|
| 31:0 | WDTICLR    | 0x0   | RW | Watchdog interrupt clear:<br>Writing any value will clear the watchdog interrupt and reloads the counter from the LR register.<br>A read returns zero. |

**Table 163: WDG - RIS register description: address offset WDG\_BASE\_ADDR+0x10**

| Bit  | Field name | Reset | RW | Description                                                                                                                                                                                                            |
|------|------------|-------|----|------------------------------------------------------------------------------------------------------------------------------------------------------------------------------------------------------------------------|
| 0    | RIS        | 0x0   | R  | Watchdog raw interrupt status bit. Reflects the status of the interrupt status from the watchdog:<br>0: watchdog interrupt is not active.<br>1: watchdog interrupt is active.<br>Read-only bit. A write has no effect. |
| 31:1 | RESERVED   | 0x0   | R  | RESERVED                                                                                                                                                                                                               |

**Table 164: WDG - MIS register description: address offset WDG\_BASE\_ADDR+0x14**

| Bit  | Field name | Reset | RW | Description                                                                                                                                                                                           |
|------|------------|-------|----|-------------------------------------------------------------------------------------------------------------------------------------------------------------------------------------------------------|
| 0    | MIS        | 0x0   | R  | Watchdog masked interrupt status bit. Masked value of watchdog interrupt status:<br>0: watchdog interrupt is not active.<br>1: watchdog interrupt is active.<br>Read-only bit. A write has no effect. |
| 31:1 | RESERVED   | 0x0   | R  | RESERVED                                                                                                                                                                                              |

Table 165: WDG - LOCK register description: address offset WDG\_BASE\_ADDR+0xC00

| Bit  | Field name | Reset | RW | Description                                                                                                                                                                                                                                                                                                                                                                                                                                                        |
|------|------------|-------|----|--------------------------------------------------------------------------------------------------------------------------------------------------------------------------------------------------------------------------------------------------------------------------------------------------------------------------------------------------------------------------------------------------------------------------------------------------------------------|
| 31:0 | LOCKVAL    | 0x0   | RW | <p>Watchdog lock value. When read, returns the lock status:</p> <p>0: Write access to all watchdog other registers is enabled.</p> <p>1: Write access to all watchdog other registers is disabled.</p> <p>When written, allows enabling or disabling write access to all other watchdog registers:</p> <p>Writing 0x1ACCE551: Write access to all other registers is enabled.</p> <p>Writing any other value: Write access to all other registers is disabled.</p> |



All RESERVED fields inside registers must always be written with their default value.

## 3.15 RTC

### 3.15.1 Introduction

The RTC timer can be used to provide an interrupt at regular time intervals. It generates an interrupt signal when it reaches zero after decrementing for a programmed number of cycles of the real-time clock input. The RTC timer can restart automatically from a load value when reaching zero if the auto restart mode is enabled, or it can stop when it reaches zero.

The RTC is clocked by the 32 kHz clock and is switched off in low-power modes which prevents this timer to be used for wake-up events.

### 3.15.2 Functional description

The RTC peripheral can be used either as real-time clock timer or as real-time clock watch.

#### 3.15.2.1 Real-time clock timer

The real-time clock timer (RTC timer) can be used to provide an interrupt at regular time intervals.

The RTC timer can restart automatically from a load value when reaching zero if the auto restart mode is enabled, or it can stop when it reaches zero.

The RTC timer has the following features:

- 32-bit down-counter.
- Interrupt generation when timer reaches zero.
- Start, auto restart (after counts to zero) and stop capability.
- On-the-fly register read and write access.
- 1/32 kHz minimum period.
- Multiple modes: periodic interrupt and single interrupt generation.
- Capability to switch between two load values in periodic mode. The timer reloads alternatively from one load value to the other and the down-counter starts decrementing every 31.25  $\mu$ s (on average).

The RTC timer is a 32-bit free-running counter, clocked by the 32 kHz clock signal (from an embedded 32 kHz RC), that works in two modes: periodic and one-shot.

**Table 166: RTC modes**

| RTTOS bit | Mode     | Description                                                                                                                                                                                                    |
|-----------|----------|----------------------------------------------------------------------------------------------------------------------------------------------------------------------------------------------------------------|
| 0b        | Periodic | The counter generates an interrupt at a constant interval, reloading a load value after wrapping past zero. There are two load values: RTC_TLR1 for pattern value 0 and RTC_TLR2 for pattern value 1.          |
| 1b        | One-shot | The counter generates an interrupt once. When the counter reaches zero, it halts until the user restarts it by: setting bit RTTEN in the RTC_TCR register of writing a new value to the load register RTC_TLR1 |

The RTC timer load registers define the values from which the counter restarts alternatively.

In periodic mode, the timer must be stopped by the software before writing to a load register. The counter loads a value from RTC\_TLR1 or from RTC\_TLR2, depending on the value of the current pattern value that crosses the pattern register to decide after each interrupt generation, which value to load. The number of pattern bits to be crossed periodically (from the 128 bits) is specified in RTC\_TCR [10:4]. This process offers the possibility to have better precision of the average tick period.

In one-shot mode, the timer stops when it reaches zero, but the software can also stop it. Once the counter is halted, the load registers (RTC\_TLR1, RTC\_TLR2) can be written and the counter considers the new written value. After a write, RTTEN (RTC\_TCR) is set if the timer is in self-start mode.



Writing to RTC\_TLR1 or RTC\_TLR2 has no effect when the counter is running (the registers contents are not changed).

### 3.15.2.2 Real-time clock watch

The RTC clock watch consists of two counters and two alarm registers that have the following features:

- Two counters:
  - Counts seconds, minutes, hours, days of the week, days of the month.
  - Counts years.
- Two alarm registers:
  - To trigger an interrupt at exact date and time.

The clock watch counters are split in two registers:

The RTC\_CWDR register that holds:

- Seconds on six bits. Valid values are 0 to 59. (60, 61, 62 and 63 are invalid values, programming the RTC\_CWDR with these values leads to unpredictable behavior.) The seconds are incremented on the CLK1HZ clock rate.
- Minutes on six bits. Valid values are 0 to 59 (60, 61, 62 and 63 are invalid values, programming the RTC\_CWDR with these values leads to unpredictable behavior.)
- Hours on five bits. Valid values are 0 to 23 (24 to 31 are invalid values, programming the RTC\_CWDR with these values leads to unpredictable behavior.)



- The day of the week on three bits. Valid values are 1 (Sunday) to 7 (Saturday) (0 is an invalid value, programming the RTC\_CWDR with this value leads to unpredictable behavior.)
- The day of the month on five bits. Valid values are 1 to 31 for January, March, May, July, August, October and December, 1 to 30 for April, June, September, and November, 1 to 29 for February on leap years, or 1 to 28 for February on non-leap years. All other values are invalid values. Programming the RTC\_CWDR with these values leads to unpredictable behavior.)
- The month on four bits. Valid values are 1 (January) to 12 (December). 0, 13, 14 and 15 are invalid values, programming the RTC\_CWDR with these values leads to unpredictable behavior.

The RTC\_CWYR register holds:

- The year, from 0 to 4096

The clock watch time and date can be changed by writing new settings in the RTC\_CWDLR and RTC\_CWYLR load registers. The new setting is transferred to the clock watch counters on the next CLK1HZ rising edge after the RTC\_CWDLR register has been written.

After each increment of the clock watch counters, the RTC\_CWDR and RTC\_CWYR registers are compared to the clock watch match registers, RTC\_CWDMR and RTC\_CWYMR.

If both pairs of registers match, the internal interrupt signal RTCWINTR is raised.

To ignore the corresponding bit-field of the RTC\_CWDR register during the comparison, program the month (CWMONTHM), day of the month (CWDAYMM) or day of the week (CWDAYWM) bit-fields of the RTC\_CWDMR register with zero values.

To ignore the RTC\_CWYR register during the comparison, program the year bit-fields of RTC\_CWYMR register with zero values.

### 3.15.2.3 RTC interrupts

The RTC generates two internal interrupt signals:

- RTCINTR: raised when the two clock watch counter registers (RTC\_CWDR and RTC\_CWYR) match the two clock watch alarm registers (RTC\_CWDMR and RTC\_CWYMR). Some bit-fields can be 'don't care' during the comparison if a zero value is used for year, month, day of month and day of week. The software must clear this interrupt by writing 1 in the bit RTCCWIC of RTC\_ICR register.
- RTTINTR: raised when the full 32-bit down-counter RTC\_TDR reaches zero and is only cleared by writing 1 in the bit RTTIC of the RTC\_ICR register. The most significant carry bit of the counter detects the counter reaches zero. The software must clear this interrupt by writing 1 in the bit RTCTIC of the RTC\_ICR register.

Each individual interrupt can be masked by writing 0b to its corresponding interrupt mask set/clear bit in the RTC\_IMSC register. Both the raw interrupt status (prior to masking) and the final interrupt status (after masking) for each individual interrupt signal can be read from the RTC\_RIS and RTC\_MIS status registers.

The RTC delivers also a single combined interrupt signal, RTUINTR. This interrupt line is the logical OR of the both internal interrupt signals described above and is the signal connected to the processor interrupt line.

### 3.15.3 RTC registers

RTC peripheral base address (RTC\_BASE\_ADDR) 0x40F00000.

**Table 167: RTC registers**

| Address offset | Name  | RW | Reset      | Description                                                                    |
|----------------|-------|----|------------|--------------------------------------------------------------------------------|
| 0x00           | CWDR  | R  | 0x02120000 | Clockwatch data register. Refer to the detailed description below.             |
| 0x04           | CWDMR | RW | 0x00000000 | Clockwatch data match register. Refer to the detailed description below.       |
| 0x08           | CWDLR | RW | 0x00000000 | Clockwatch data load register. Refer to the detailed description below.        |
| 0x0C           | CWYR  | R  | 0x00002000 | Clockwatch year register. Refer to the detailed description below.             |
| 0x10           | CWYMR | RW | 0x00002000 | Clockwatch year match register. Refer to the detailed description below.       |
| 0x14           | CWYLR | RW | 0x00000000 | Clockwatch year load register. Refer to the detailed description below.        |
| 0x18           | CTCR  | RW | 0x00007FFF | Control trim and counter register. Refer to the detailed description below.    |
| 0x1C           | IMSC  | RW | 0x00000000 | RTC interrupt mask register. Refer to the detailed description below.          |
| 0x20           | RIS   | R  | 0x00000000 | RTC raw interrupt status register. Refer to the detailed description below.    |
| 0x24           | MIS   | R  | 0x00000000 | RTC masked interrupt status register. Refer to the detailed description below. |
| 0x28           | ICR   | W  | 0x00000000 | RTC interrupt clear register. Refer to the detailed description below.         |
| 0x2C           | TDR   | R  | 0xFFFFFFFF | RTC timer load value                                                           |
| 0x30           | TCR   | RW | 0x00000000 | RTC timer control register. Refer to the detailed description below.           |
| 0x34           | TLR1  | RW | 0x00000000 | RTC timer first load register                                                  |
| 0x38           | TLR2  | RW | 0x00000000 | RTC timer second load Register                                                 |
| 0x3C           | TPR1  | RW | 0x00000000 | RTC timer pattern register (pattern[31:0])                                     |
| 0x40           | TPR2  | RW | 0x00000000 | RTC timer pattern register (pattern[63:32])                                    |
| 0x44           | TPR3  | RW | 0x00000000 | RTC timer pattern register (pattern[95:64])                                    |
| 0x48           | TPR4  | RW | 0x00000000 | RTC timer pattern register (pattern[127:96])                                   |
| 0x4C           | TIN   | R  | 0x00000000 | RTC timer interrupt number register                                            |

Table 168: RTC - CWDR register description: address offset RTC\_BASE\_ADDR+0x00

| Bit   | Field name | Reset | RW | Description                                                                                                                                                                                                                                                                                                     |
|-------|------------|-------|----|-----------------------------------------------------------------------------------------------------------------------------------------------------------------------------------------------------------------------------------------------------------------------------------------------------------------|
| 5:0   | CWSEC      | 0x0   | R  | RTC clockwatch second value. Clockwatch seconds: 0 to 59 (max. 0x3B).                                                                                                                                                                                                                                           |
| 11:6  | CWMIN      | 0x0   | R  | RTC clockwatch minute value. Clockwatch seconds: 0 to 59 (max. 0x3B).                                                                                                                                                                                                                                           |
| 16:12 | CWHOUR     | 0x0   | R  | RTC clockwatch hour value. Clockwatch seconds: 0 to 23 (max. 0x17).                                                                                                                                                                                                                                             |
| 19:17 | CWDAYW     | 0x1   | R  | RTC clockwatch day of week value. Clockwatch day of week:<br>001b: Sunday.<br>010b: Monday.<br>011b: Tuesday.<br>100b: Wednesday.<br>101b: Thursday.<br>110b: Friday.<br>111b: Saturday.                                                                                                                        |
| 24:20 | CWDAYM     | 0x1   | R  | RTC clockwatch day of month value: 1 to 28/29/30 or 31. Range of value to program depends on the month:<br>1 to 28: February month, non-leap year.<br>1 to 29: February month, leap year.<br>1 to 30: April, June, September, November month.<br>1 to 31: January, March, May, August, October, December month. |
| 28:25 | CWMONTH    | 0x1   | R  | RTC clockwatch month value:<br>0001b: January.<br>...<br>1100: December.                                                                                                                                                                                                                                        |
| 31:29 | RESERVED   | 0x0   | R  | RESERVED                                                                                                                                                                                                                                                                                                        |

Table 169: RTC - CWDMR register description: address offset RTC\_BASE\_ADDR+0x04

| Bit   | Field name | Reset | RW | Description                                                                                                                                                                                        |
|-------|------------|-------|----|----------------------------------------------------------------------------------------------------------------------------------------------------------------------------------------------------|
| 5:0   | CWSECM     | 0x0   | RW | RTC clockwatch second match value:<br>00 0000 to 11 1011: (0 to 59 or 0x00 to 0x3B) clockwatch seconds.<br>11 1100 to 11 1111 - (60 to 63 or 0x3C to 0x3F).<br>Non-valid data, match never occurs. |
| 11:6  | CWMINM     | 0x0   | RW | RTC clockwatch minute match value:<br>00 0000 to 11 1011: (0 to 59 or 0x00 to 0x3B) clockwatch minutes.<br>11 1100 to 11 1111 - (60 to 63 or 0x3C to 0x3F).<br>Non-valid data, match never occurs. |
| 16:12 | CWHOURM    | 0x0   | RW | RTC clockwatch hour match value:<br>00000b to 10111b: (0 to 23 or 0x00 to 0x17) hour match value.<br>11000b to 11111b - (24 to 31 or 0x18 to 0x1F).<br>Non-valid data, match never occurs.         |

| Bit   | Field name | Reset | RW | Description                                                                                                                                                                                                                            |
|-------|------------|-------|----|----------------------------------------------------------------------------------------------------------------------------------------------------------------------------------------------------------------------------------------|
| 19:17 | CWDAYWM    | 0x0   | RW | RTC clockwatch day of week match value:<br>000b: day of week does not care in the comparison. (Default value after PORn).<br>001b to 111b: (1 to 7) day of week match value.                                                           |
| 24:20 | CWDAYMM    | 0x0   | RW | RTC clockwatch day of month match value:<br>0000b: (month does not care in the comparison. Default value after PORn).<br>1 to 31: day of month match value.                                                                            |
| 28:25 | CWMONTHM   | 0x0   | RW | RTC clockwatch month match value:<br>0000b: (day of month does not in the comparison. Default value after PORn).<br>0001b to 1100b: (1 to 12) month match value.<br>1101b (13, 0xD) to 1111b (0xF) non-valid data, match never occurs. |
| 31:29 | RESERVED   | 0x0   | RW | RESERVED                                                                                                                                                                                                                               |

**Table 170: RTC - CWDLR register description: address offset RTC\_BASE\_ADDR+0x08**

| Bit   | Field name | Reset | RW | Description                                                                                                                                                                                                                                                                                                               |
|-------|------------|-------|----|---------------------------------------------------------------------------------------------------------------------------------------------------------------------------------------------------------------------------------------------------------------------------------------------------------------------------|
| 5:0   | CWSECL     | 0x0   | RW | RTC clockwatch second load value. Clockwatch seconds from 0 to 59 (0x3B). Other values must not be used.                                                                                                                                                                                                                  |
| 11:6  | CWMINL     | 0x0   | RW | RTC clockwatch minute load value. Clockwatch minutes from 0 to 59 (0x3B). Other values must not be used.                                                                                                                                                                                                                  |
| 16:12 | CWHOURL    | 0x0   | RW | RTC clockwatch hour load value. Clockwatch hours from 0 to 23 (0x17). Other values must not be used.                                                                                                                                                                                                                      |
| 19:17 | CWDAYWL    | 0x0   | RW | RTC clockwatch day of week load value. Clockwatch day of week:<br>000b: Must not be used.<br>001b: Sunday.<br>010b: Monday.<br>011b: Tuesday.<br>100b: Wednesday.<br>101b: Thursday.<br>110b: Friday.<br>111b: Saturday.                                                                                                  |
| 24:20 | CWDAYML    | 0x0   | RW | RTC clockwatch day of month load value. 1 to 28/29/30 or 31 depending on month:<br>1 to 28: February month, non-leap year.<br>1 to 29: February month, leap year.<br>1 to 30: April, June, September, November month.<br>1 to 31: January, March, May, August, October, December month.<br>Other values must not be used. |

| Bit   | Field name | Reset | RW | Description                                                                                                     |
|-------|------------|-------|----|-----------------------------------------------------------------------------------------------------------------|
| 28:25 | CWMONTHL   | 0x0   | RW | RTC clockwatch month load value:<br>0001b: January.<br>...<br>1100: December.<br>Other values must not be used. |
| 31:29 | RESERVED   | 0x0   | RW | RESERVED                                                                                                        |

Table 171: RTC - CWYR register description: address offset RTC\_BASE\_ADDR+0x0C

| Bit   | Field name | Reset  | RW | Description                                                                  |
|-------|------------|--------|----|------------------------------------------------------------------------------|
| 13:0  | CWYEAR     | 0x2000 | R  | RTC clockwatch year value. Clockwatch year, in BCD format is from 0 to 3999. |
| 31:14 | RESERVED   | 0x0    | R  | RESERVED                                                                     |

Table 172: RTC - CWYMR register description: address offset RTC\_BASE\_ADDR+0x10

| Bit   | Field name | Reset  | RW | Description                                                                                   |
|-------|------------|--------|----|-----------------------------------------------------------------------------------------------|
| 13:0  | CWYEARM    | 0x2000 | RW | RTC clockwatch year match value. Clockwatch year match value is in BCD format from 0 to 3999. |
| 31:14 | RESERVED   | 0x0    | RW | RESERVED                                                                                      |

Table 173: RTC - CWYLR register description: address offset RTC\_BASE\_ADDR+0x14

| Bit   | Field name | Reset | RW | Description                                                                                 |
|-------|------------|-------|----|---------------------------------------------------------------------------------------------|
| 13:0  | CWYEARL    | 0x0   | RW | RTC clockwatch year load value. Clockwatch year load value is in BCD format from 0 to 3999. |
| 31:14 | RESERVED   | 0x0   | RW | RW RESERVED                                                                                 |

Table 174: RTC - CTR register description: address offset RTC\_BASE\_ADDR+0x18

| Bit  | Field name | Reset  | RW | Description                                                                                                                                                                                                                                                                                                                                                                                                                                                                                                                                                                 |
|------|------------|--------|----|-----------------------------------------------------------------------------------------------------------------------------------------------------------------------------------------------------------------------------------------------------------------------------------------------------------------------------------------------------------------------------------------------------------------------------------------------------------------------------------------------------------------------------------------------------------------------------|
| 14:0 | CKDIV      | 0x7FFF | RW | Clock divider factor. This value plus one represents the integer part of the CLK32K clock divider used to produce the reference 1 Hz clock.<br>0x000: CLK1HZ clock is similar to CLK32K for RTC timer and stopped for RTC clockwatch.<br>0x0001: 2 CLK32K clock cycles per CLK1HZ clock cycle.<br>...<br>0x7FFF: 32768 CLK32K clock cycles per CLK1HZ clock cycle (default value after PORn Reset).<br>...<br>0xFFFF: CLK32K clock cycles per CLK1HZ clock cycle.<br>Writing to this bit-field is disregarded if CWEN = 1. A read returns the value of the CKDIV bit-field. |
| 15   | RESERVED   | 0x0    | RW | RESERVED                                                                                                                                                                                                                                                                                                                                                                                                                                                                                                                                                                    |

| Bit   | Field name | Reset | RW | Description                                                                                                                                                                                                                                                                                                                                                                                                                                                                                                                                                                      |
|-------|------------|-------|----|----------------------------------------------------------------------------------------------------------------------------------------------------------------------------------------------------------------------------------------------------------------------------------------------------------------------------------------------------------------------------------------------------------------------------------------------------------------------------------------------------------------------------------------------------------------------------------|
| 25:16 | CKDEL      | 0x0   | RW | Trim delete count. This value represents the number of CLK32K clock pulses to delete every 1023 CLK32K clock cycles to get a better reference 1 Hz clock for incrementing the RTC counter.<br>0x000: No CLK32K clock cycle is deleted every 1023 CLK1HZ clock cycles (default value after PORn Reset).<br>0x001: 1 CLK32K clock cycle is deleted every 1023 CLK1HZ clock cycles.<br>...<br>0x3FF: 1023 CLK32K clock cycles are deleted every 1023 CLK1HZ clock cycles.<br>Writing to this bit-field is disregarded if CWEN = 1. A read returns the value of the CKDEL bit-field. |
| 26    | CWEN       | 0x0   | RW | Clockwatch enable bit. When set to 1, the clockwatch is enabled. Once it is enabled, any write to this register has no effect until a Power-On-Reset. A read returns the value of the CWEN bit value.                                                                                                                                                                                                                                                                                                                                                                            |
| 31:27 | RESERVED   | 0x0   | RW | RESERVED                                                                                                                                                                                                                                                                                                                                                                                                                                                                                                                                                                         |

**Table 175: RTC - IMSC register description: address offset RTC\_BASE\_ADDR+0x1C**

| Bit  | Field name | Reset | RW | Description                                                                                                                                                                                                       |
|------|------------|-------|----|-------------------------------------------------------------------------------------------------------------------------------------------------------------------------------------------------------------------|
| 0    | WIMSC      | 0x0   | RW | RTC clock watch interrupt enable bit:<br>When set to 0, clears the interrupt mask (default after PORn Reset). The interrupt is disabled.<br>When set to 1, the interrupt for RTC clockwatch interrupt is enabled. |
| 1    | TIMSC      | 0x0   | RW | RTC timer interrupt enable bit:<br>When set to 0, sets the mask for RTC timer interrupt (default after PORn reset). The interrupt is disabled.<br>When set to 1, clears this mask and enables the interrupt.      |
| 31:2 | RESERVED   | 0x0   | RW | RESERVED                                                                                                                                                                                                          |

**Table 176: RTC - RIS register description: address offset RTC\_BASE\_ADDR+0x20**

| Bit  | Field name | Reset | RW | Description                                                                                                                  |
|------|------------|-------|----|------------------------------------------------------------------------------------------------------------------------------|
| 0    | WRIS       | 0x0   | R  | RTC clock watch raw interrupt status bit. Gives the raw interrupt state (prior to masking) of the RTC clock watch interrupt. |
| 1    | TRIS       | 0x0   | R  | RTC timer raw interrupt status bit. Gives the raw interrupt state (prior to masking) of the RTC timer interrupt.             |
| 31:2 | RESERVED   | 0x0   | R  | RESERVED                                                                                                                     |

Table 177: RTC - MIS register description: address offset RTC\_BASE\_ADDR+0x24.

| Bit  | Field name | Reset | RW | Description                                                                                                                     |
|------|------------|-------|----|---------------------------------------------------------------------------------------------------------------------------------|
| 0    | WMIS       | 0x0   | R  | RTC clock watch interrupt status bit. Gives the masked interrupt status (after masking) of the RTC clock watch interrupt WINTR. |
| 1    | TMIS       | 0x0   | R  | RTC timer interrupt status bit. Gives the masked interrupt status (after masking) of the RTC timer interrupt TINTR.             |
| 31:2 | RESERVED   | 0x0   | R  | RESERVED                                                                                                                        |

Table 178: RTC - ICR register description: address offset RTC\_BASE\_ADDR+0x28

| Bit  | Field name | Reset | RW | Description                                                                                                                            |
|------|------------|-------|----|----------------------------------------------------------------------------------------------------------------------------------------|
| 0    | WIC        | 0x0   | W  | RTC clock watch interrupt clear register bit. Clears the RTC clock watch interrupt WINTR.<br>0: No effect.<br>1: Clears the interrupt. |
| 1    | TIC        | 0x0   | W  | RTC timer interrupt clear register bit. Clears the RTC timer interrupt TINTR.<br>0: No effect.<br>1: Clears the interrupt.             |
| 31:2 | RESERVED   | 0x0   | W  | RESERVED                                                                                                                               |

Table 179: RTC – TDR register description: address offset RTC\_BASE\_ADDR+0x2C

| Bit  | Field name | Reset      | RW | Description          |
|------|------------|------------|----|----------------------|
| 31:0 | TDR        | 0xFFFFFFFF | R  | RTC time load value. |

Table 180: RTC - TCR register description: address offset RTC\_BASE\_ADDR+0x30

| Bit  | Field name | Reset | RW | Description                                                                                                                                                                                                                                                                                                                                                                                                                                                   |
|------|------------|-------|----|---------------------------------------------------------------------------------------------------------------------------------------------------------------------------------------------------------------------------------------------------------------------------------------------------------------------------------------------------------------------------------------------------------------------------------------------------------------|
| 0    | OS         | 0x0   | RW | RTC timer one shot count.<br>0: Periodic mode (default). When reaching zero, the RTC timer raises its interrupt and is reloaded from the LD content.<br>1: One-shot mode. When reaching zero, the RTC timer raise its interrupt and stops.                                                                                                                                                                                                                    |
| 1    | EN         | 0x0   | RW | RTC timer enable bit.<br>0: The RTC timer is stopped on the next CLK32K cycle.<br>1: The RTC timer is enabled on the next CLK32K cycle.<br>When the RTC timer is stopped, the content of the counter is frozen. A read returns the value of the EN bit. This bit set by hardware when the TLR register is written to while the counter is stopped. When the device is active, this bit is cleared by hardware when the counter reaches zero in one-shot mode. |
| 2    | S          | 0x0   | RW | RTC timer self-start bit. When written to 1b, each write in a load register or a pattern will set EN to 1b, so, start the counter in the next CLK32K cycle.                                                                                                                                                                                                                                                                                                   |
| 3    | RESERVED   | 0x0   | RW | RESERVED                                                                                                                                                                                                                                                                                                                                                                                                                                                      |
| 10:4 | SP         | 0x0   | RW | RTC Timer Pattern size. Number of pattern bits crossed by the pointer. It defines the useful pattern size.                                                                                                                                                                                                                                                                                                                                                    |

| Bit   | Field name   | Reset | RW | Description                                                                                                                                |
|-------|--------------|-------|----|--------------------------------------------------------------------------------------------------------------------------------------------|
| 11    | CLK          | 0x0   | RW | RTC timer clock.<br>0: The RTC timer is clocked by CLK32K.<br>1: The RTC timer is clocked by the trimmed clock.                            |
| 12    | BYPASS_GATED | 0x0   | RW | Enable or disable the internal clock gating:<br>0: The internal clock gating is activated.<br>1: No clock gating, clock is always enabled. |
| 31:13 | RESERVED     | 0x0   | RW | RESERVED                                                                                                                                   |

Table 181: RTC – TLR1 register description: address offset RTC\_BASE\_ADDR+0x34

| Bit  | Field name | Reset      | RW | Description                 |
|------|------------|------------|----|-----------------------------|
| 31:0 | TLR1       | 0x00000000 | RW | RTC timer first load value. |

Table 182: RTC – TLR2 register description: address offset RTC\_BASE\_ADDR+0x38

| Bit  | Field name | Reset      | RW | Description                  |
|------|------------|------------|----|------------------------------|
| 31:0 | TLR2       | 0x00000000 | RW | RTC timer second load value. |

Table 183: RTC – TPR1 register description: address offset RTC\_BASE\_ADDR+0x3C

| Bit  | Field name | Reset      | RW | Description                                 |
|------|------------|------------|----|---------------------------------------------|
| 31:0 | TPR1       | 0x00000000 | RW | RTC timer pattern register (pattern[31:0]). |

Table 184: RTC – TPR2 register description: address offset RTC\_BASE\_ADDR+0x40

| Bit  | Field name | Reset      | RW | Description                                  |
|------|------------|------------|----|----------------------------------------------|
| 31:0 | TPR2       | 0x00000000 | RW | RTC timer pattern register (pattern[63:32]). |

Table 185: RTC – TPR3 register description: address offset RTC\_BASE\_ADDR+0x44

| Bit  | Field name | Reset      | RW | Description                                  |
|------|------------|------------|----|----------------------------------------------|
| 31:0 | TPR3       | 0x00000000 | RW | RTC timer pattern register (pattern[95:64]). |

Table 186: RTC – TPR4 register description: address offset RTC\_BASE\_ADDR+0x48

| Bit  | Field name | Reset      | RW | Description                                   |
|------|------------|------------|----|-----------------------------------------------|
| 31:0 | TPR4       | 0x00000000 | RW | RTC timer pattern register (pattern[127:96]). |

Table 187: RTC – TIN register description: address offset RTC\_BASE\_ADDR+0x4C

| Bit  | Field name | Reset      | RW | Description                          |
|------|------------|------------|----|--------------------------------------|
| 31:0 | TIN        | 0x00000000 | R  | RTC timer interrupt number register. |



All RESERVED fields inside registers must always be written with their default value.



## 3.16 RNG

### 3.16.1 Introduction

The RNG is a real random number generator based on a continuous analog noise that provides a 16-bit value to the host when read.

### 3.16.2 Functional description

The peripheral is normally used by the Bluetooth Stack, but the user can read the random value at any time by accessing the register VAL. The RNG peripheral is addressed through the AHB, so the access must be at 32-bit, otherwise hard fault is generated on Cortex M0.

The minimum period between two consecutive random numbers is about 1.25  $\mu$ s.

### 3.16.3 RNG registers

RNG peripheral base address (RNG\_BASE\_ADDR) 0xB0000000

**Table 188: RNG registers**

| Address offset | Name | RW | Reset      | Description                                                          |
|----------------|------|----|------------|----------------------------------------------------------------------|
| 0x00           | CR   | RW | 0x00000000 | RNG configuration register. Refer to the detailed description below. |
| 0x04           | SR   | R  | 0x00000000 | RNG status register. Refer to the detailed description below.        |
| 0x08           | VAL  | R  | 0x00000000 | RNG 16-bit random value. Refer to the detailed description below.    |

**Table 189: RNG – CR register description: address offset RNG\_BASE\_ADDR+0x00**

| Bit  | Field name | Reset      | RW | Description                                                                                                                                                                                                                                                             |
|------|------------|------------|----|-------------------------------------------------------------------------------------------------------------------------------------------------------------------------------------------------------------------------------------------------------------------------|
| 1:0  | RESERVED   | 0x0        | RW | RESERVED                                                                                                                                                                                                                                                                |
| 2    | DIS        | 0x0        | RW | Set the state of the random number generator. <ul style="list-style-type: none"> <li>0: RNG is enable.</li> <li>1: RNG is disabled. The internal free-running oscillators are put in power-down mode and the RNG clock is stopped at the input of the block.</li> </ul> |
| 31:3 | RESERVED   | 0x00000000 | RW | RESERVED                                                                                                                                                                                                                                                                |

Table 190: RNG – SR register description: address offset RNG\_BASE\_ADDR+0x04

| Bit  | Field name | Reset      | RW | Description                                                                                                                                                                                                                                                                                                                                                                 |
|------|------------|------------|----|-----------------------------------------------------------------------------------------------------------------------------------------------------------------------------------------------------------------------------------------------------------------------------------------------------------------------------------------------------------------------------|
| 0    | RDY        | 0x0        | R  | <p>New random value ready.</p> <ul style="list-style-type: none"> <li>0: The VAL register value is not yet valid. If performing a read access to VAL, the host will be put on hold until a random value is available.</li> <li>1: The VAL register contains a valid random number.</li> </ul> <p>This bit remains at 0 when the RNG is disabled (RNGDIS bit = 1b in CR)</p> |
| 31:1 | RESERVED   | 0x00000000 | R  | RESERVED                                                                                                                                                                                                                                                                                                                                                                    |

Table 191: RNG – VAL register description: address offset RNG\_BASE\_ADDR+0x08

| Bit   | Field name   | Reset  | RW | Description              |
|-------|--------------|--------|----|--------------------------|
| 15:0  | RANDOM_VALUE | 0x0000 | R  | The 16-bit random value. |
| 31:16 | RESERVED     | 0x0000 | R  | RESERVED                 |



All RESERVED fields inside registers must always be written with their default value.

### 3.17 PDM stream processor

The BlueNRG-1 integrates a digital filter for processing PDM stream coming from a digital microphone and inputting into a GPIO pin. The BlueNRG-1 outputs a 0.8MHz or 1.6MHz signal into a GPIO pin for providing the digital microphone with a frequency clock.

### 3.18 System timer (SysTick)

The BlueNRG-1 includes a system timer (SysTick) that can be polled by software or can be configured to generate an interrupt. SysTick interrupt has its own entry in the vector table and therefore can have its own handler.

### 3.19 Public key accelerator (PKA)

The Public key accelerator is for the computation of cryptographic public key primitives through elliptic curve cryptography (ECC) using a predefined prime modulus and a predefined curve.

#### 3.19.1 PKA functional description

The PKA core is clocked by the system clock divided by two and the PKA memory is clocked by system clock. This peripheral is addressed through the AHB, so the access must be at 32-bit or a hard fault is generated on the Cortex M0.

The PKA works on a 4 kB dedicated RAM block located in 0xC0000400.

The main features of the PKA block are:

- elliptic curve Diffie-Hellman (ECDH) public-private key pair calculation accelerator

- based on the Montgomery method for fast modular multiplications
- built-in Montgomery domain inward and outward transformations
- AMBA AHB lite slave interface with a reduced command set
- single port internal memory available for the system when the BlueNRG-1 PKA is not using it.

The PKA and the PKA RAM are clock gated by default after reset, so the clock must be enabled in CKGEN\_SOC before using PKA functionality.

The input data, output data and data verification result have specific locations in the PKA RAM.

**Table 192: PKA RAM data location**

| Parameter description                | PKA RAM offset address | Size (words)       |
|--------------------------------------|------------------------|--------------------|
| INPUT: ECC K value of kP             | 0x6C                   | EOS <sup>(1)</sup> |
| INPUT: input point P, coordinate X   | 0x90                   | EOS                |
| INPUT: input point P, coordinate Y   | 0xB4                   | EOS                |
| OUTPUT: output point P, coordinate X | 0x90                   | EOS                |
| OUTPUT: output point P, coordinate Y | 0xB4                   | EOS                |
| OUTPUT: error value                  | 0x00                   | 1                  |

**Notes:**

<sup>(1)</sup>ECC operand size.

An error value of 1 indicates that input point P does not satisfy the curve equation; in this case, the computation is very short. If the calculation returns an error value of 0, the result is valid.

The maximum length of data is calculated by:

$$\text{Max. EOS} = (\text{max\_ecc\_size} / \text{word\_size}) + 1$$

If ECC P256 is used, the PKA core needs an operand of 9 (256/32 + 1) words. When loading a 256-bit (8 word) input, an additional word is requested and must be filled with zero.

The starting point P for the computation is:

- **PX** = (0x6B17D1F2, 0xE12C4247, 0xF8BCE6E5, 0x63A440F2, 0x77037D81, 0x2DEB33A0, 0xF4A13945, 0xD898C296)
- **PY** = (0x4FE342E2, 0xFE1A7F9B, 0x8EE7EB4A, 0x7C0F9E16, 0x2BCE3357, 0x6B315ECE, 0xCBB64068, 0x37BF51F5)

### 3.19.2 PKA registers

PKA peripheral base address (PKA\_BASE\_ADDR) 0xC0000000

**Table 193: PKA registers**

| Address offset | Name | RW | Reset      | Description                 |
|----------------|------|----|------------|-----------------------------|
| 0x00           | CSR  | RW | 0x00000002 | Command and status register |
| 0x04           | ISR  | RW | 0x00000000 | Interrupt status register   |
| 0x08           | IEN  | RW | 0x00000000 | Interrupt enable register   |

**Table 194: PKA – CSR register description: address offset PKA\_BASE\_ADDR+0x00**

| Bit  | Field name | Reset | RW | Description                                                                                                                                                                                                                                        |
|------|------------|-------|----|----------------------------------------------------------------------------------------------------------------------------------------------------------------------------------------------------------------------------------------------------|
| 0    | GO         | 0     | W  | PKA start processing command: <ul style="list-style-type: none"> <li>0: has no effect.</li> <li>1: starts the processing.</li> </ul> After this bitfield is set to 1, it must be written back to 0 manually.                                       |
| 1    | READY      | 1     | R  | PKA readiness status: <ul style="list-style-type: none"> <li>0: the PKA is computing. It is not ready.</li> <li>1: the PKA is ready to start a new process.</li> </ul> The rising edge of the READY bit set the PROC_END flag in the ISR register. |
| 6:2  | RESERVED   | 0x00  | RW | RESERVED                                                                                                                                                                                                                                           |
| 7    | SFT_RST    | 0     | W  | PKA software reset: <ul style="list-style-type: none"> <li>0: has no effect.</li> <li>1: reset the PKA peripheral.</li> </ul> After this bitfield is set to 1, it must be written back to 0 manually.                                              |
| 31:8 | RESERVED   | 0x00  | RW | RESERVED                                                                                                                                                                                                                                           |

**Table 195: PKA – ISR register description: address offset PKA\_BASE\_ADDR+0x04**

| Bit | Field name | Reset | RW | Description                                                                                                                                                                                                                                                                                                                                                                                                                                                                                                                                                                                       |
|-----|------------|-------|----|---------------------------------------------------------------------------------------------------------------------------------------------------------------------------------------------------------------------------------------------------------------------------------------------------------------------------------------------------------------------------------------------------------------------------------------------------------------------------------------------------------------------------------------------------------------------------------------------------|
| 0   | PROC_END   | 0     | RW | PKA process ending interrupt. When read: <ul style="list-style-type: none"> <li>0: no event.</li> <li>1: PKA process is ended.</li> </ul> When written: <ul style="list-style-type: none"> <li>0: no effect.</li> <li>1: clears the PKA process ending interrupt.</li> </ul>                                                                                                                                                                                                                                                                                                                      |
| 1   | RESERVED   | 0     | RW | RESERVED                                                                                                                                                                                                                                                                                                                                                                                                                                                                                                                                                                                          |
| 2   | RAM_ERR    | 0     | RW | RAM read/write access error interrupt. When read: <ul style="list-style-type: none"> <li>0: all AHB read or write access to the PKA RAM occurred while the PKA was stopped.</li> <li>1: All the AHB read or write accesses to the PKA RAM occurred while the PKA was operating and using the internal RAM. These reads or writes could not succeed as the PKA internal RAM is disconnected from the AHB bus when the PKA is operating (READ bit low).</li> </ul> When written: <ul style="list-style-type: none"> <li>0: no effect.</li> <li>1: clears the RAM access error interrupt.</li> </ul> |

| Bit  | Field name | Reset      | RW | Description                                                                                                                                                                                                                                                                                                                                                                                                       |
|------|------------|------------|----|-------------------------------------------------------------------------------------------------------------------------------------------------------------------------------------------------------------------------------------------------------------------------------------------------------------------------------------------------------------------------------------------------------------------|
| 3    | ADD_ERR    | 0          | RW | AHB address error interrupt. When read: <ul style="list-style-type: none"> <li>0: All AHB read or write access to the PKA RAM occurred in a mapped address range.</li> <li>1: All the AHB read or write access to the PKA RAM occurred in an unmapped address range.</li> </ul> When written: <ul style="list-style-type: none"> <li>0: no effect.</li> <li>1: clears the AHB address error interrupt.</li> </ul> |
| 31:4 | RESERVED   | 0x00000000 | RW | RESERVED                                                                                                                                                                                                                                                                                                                                                                                                          |

Table 196: PKA – IEN register description: address offset PKA\_BASE\_ADDR+0x08

| Bit  | Field name | Reset | RW | Description                                                                                                                                 |
|------|------------|-------|----|---------------------------------------------------------------------------------------------------------------------------------------------|
| 0    | PROCEND_EN | 0     | RW | Process ended interrupt enable. <ul style="list-style-type: none"> <li>0: interrupt disabled.</li> <li>1: interrupt enabled.</li> </ul>     |
| 1    | RESERVED   | 0     | RW | RESERVED                                                                                                                                    |
| 2    | RAMERR_EN  | 0     | RW | RAM access error interrupt enable. <ul style="list-style-type: none"> <li>0: interrupt disabled.</li> <li>1: interrupt enabled.</li> </ul>  |
| 3    | ADDERR_EN  | 0     | RW | AHB address error interrupt enable. <ul style="list-style-type: none"> <li>0: interrupt disabled.</li> <li>1: interrupt enabled.</li> </ul> |
| 31:4 | RESERVED   | 0     | RW | RESERVED                                                                                                                                    |



All RESERVED fields inside registers must always be written with their default value.

### 3.20 TX/RX event alert

The BlueNRG-1 is provided with the ANATEST1 (pin 14 for QFN32 package and pin D4 for WCSP34 package) signal which alerts forthcoming transmission or reception event. The ANATEST1 pin switches to high level about 18  $\mu$ s before transmission and about 10  $\mu$ s before reception. Then, it switches to low level at the end of the event. The signal can be used to control external antenna switching and to support coexistence with other wireless technologies.

### 3.21 SWD debug feature

The BlueNRG-1 embeds the ARM serial wire debug (SWD) port. It is two pins (clock and single bi-directional data) debug interface, providing all the debug functionality plus real-

time access to system memory without halting the processor or requiring any target resident code.

**Table 197: SWD port**

| Pin functionality | Pin name | Pin description  |
|-------------------|----------|------------------|
| SWCLK             | IO9      | SWD clock signal |
| SWDIO             | IO10     | SWD data signal  |

The Cortex-M0 subsystem of the BlueNRG-1 embeds two breakpoints and one watchpoint.

### 3.21.1 Debugging tips

There are certain situations where debug access is disabled and the chip cannot be accessed, including:

- application that disables debug pins
- application that set the device in sleep or standby state, in which the debug port is not powered.

These cases are common during application development and device can end up in a state where debug access is no longer possible. To recover this situation, it is recommended to force IO7 pin high and hardware reset the device in order to force execution of the updater code (see [Section 3.23: "Pre-programmed bootloader"](#)). The user can then connect with SWD interface and erase the device Flash memory.

## 3.22 Bluetooth low energy radio

The BlueNRG-1 integrates a RF transceiver compliant to the Bluetooth specification and to the standard national regulations in the unlicensed 2.4 GHz ISM band.

The RF transceiver requires very few external discrete components. It provides 96 dB link budgets with excellent link reliability, keeping the maximum peak current below 15 mA.

In transmit mode, the power amplifier (PA) drives the signal generated by the frequency synthesizer out to the antenna terminal through a very simple external network. The power delivered as well as the harmonic content depends on the external impedance seen by the PA.

### 3.22.1 Radio operating modes

Several operating modes are defined for the BlueNRG-1 radio:

- Reset mode
- Sleep mode
- Active mode
- Radio mode
  - RX mode
  - TX mode

In Reset mode, the BlueNRG-1 is in ultra-low power consumption: all voltage regulators, clocks and the RF interface are not powered. The BlueNRG-1 enters Reset mode by asserting the external Reset signal. As soon as it is de-asserted, the device follows the normal activation sequence to transit to active mode.

In sleep mode either the low speed crystal oscillator or the low speed ring oscillator are running, whereas the high speed oscillators are powered down as well as the RF interface. The state of the BlueNRG- is retained and the content of the RAM is preserved.

While in sleep mode, the BlueNRG- waits until an internal timer expires and then it goes into active mode.

In active mode the BlueNRG- is fully operational: all interfaces, including RF, are active as well as all internal power supplies together with the high speed frequency oscillator. The MCU core is also running.

Radio mode differs from active mode as also the RF transceiver is active and it is capable of either transmitting or receiving.

### 3.23 Pre-programmed bootloader

BlueNRG-1 device has a pre-programmed bootloader supporting UART protocol with automatic baudrate detection. Main features of the embedded bootloader are:

- Auto baudrate detection up to 460 kbps
- Flash mass erase, section erase
- Flash programming
- Flash readout protection enable/disable

The pre-programmed bootloader is an application which is stored on the BlueNRG-1 internal ROM at manufacturing time by STMicroelectronics. This application allows upgrading the device Flash with a user application using a serial communication channel (UART).

Bootloader is activated by hardware by forcing IO7 high during power-up or hardware Reset, otherwise, application residing in Flash will be launched.



The customer application must ensure that IO7 is forced low during power up. Bootloader protocol is described in a separate application note.

### 3.24 Unique device serial number

The BlueNRG-1 device has a unique six-byte serial number stored at address 0x100007F4: it is stored as two words (8 bytes) at addresses 0x100007F4 and 0x100007F8 with unique serial number padded with 0xAA55.

## 4 Pin description

The BlueNRG-1 is proposed in two package versions: WCSP34 offering 14 GPIOs and QFN32 offering 15 GPIOs. *Figure 21: "BlueNRG-1 pin-out top view (QFN32)"* shows the QFN32 pin out and *Figure 22: "BlueNRG-1 ball out top view (WCSP34)"* shows the WCSP34 ball out.

**Figure 21: BlueNRG-1 pin-out top view (QFN32)**

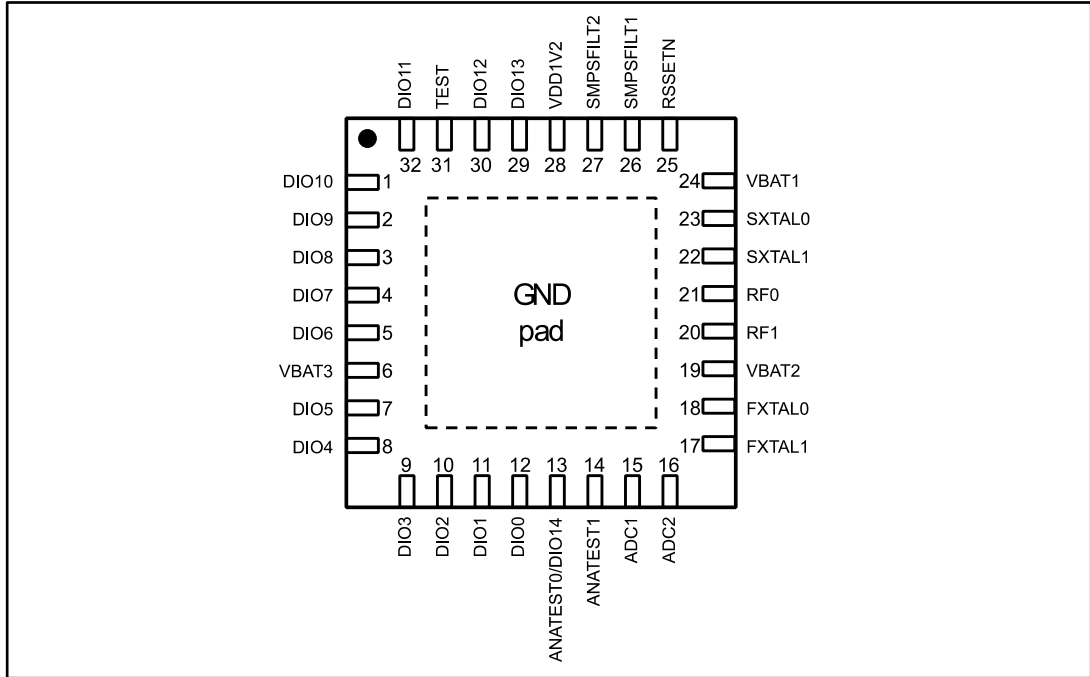




Figure 22: BlueNRG-1 ball out top view (WCSP34)

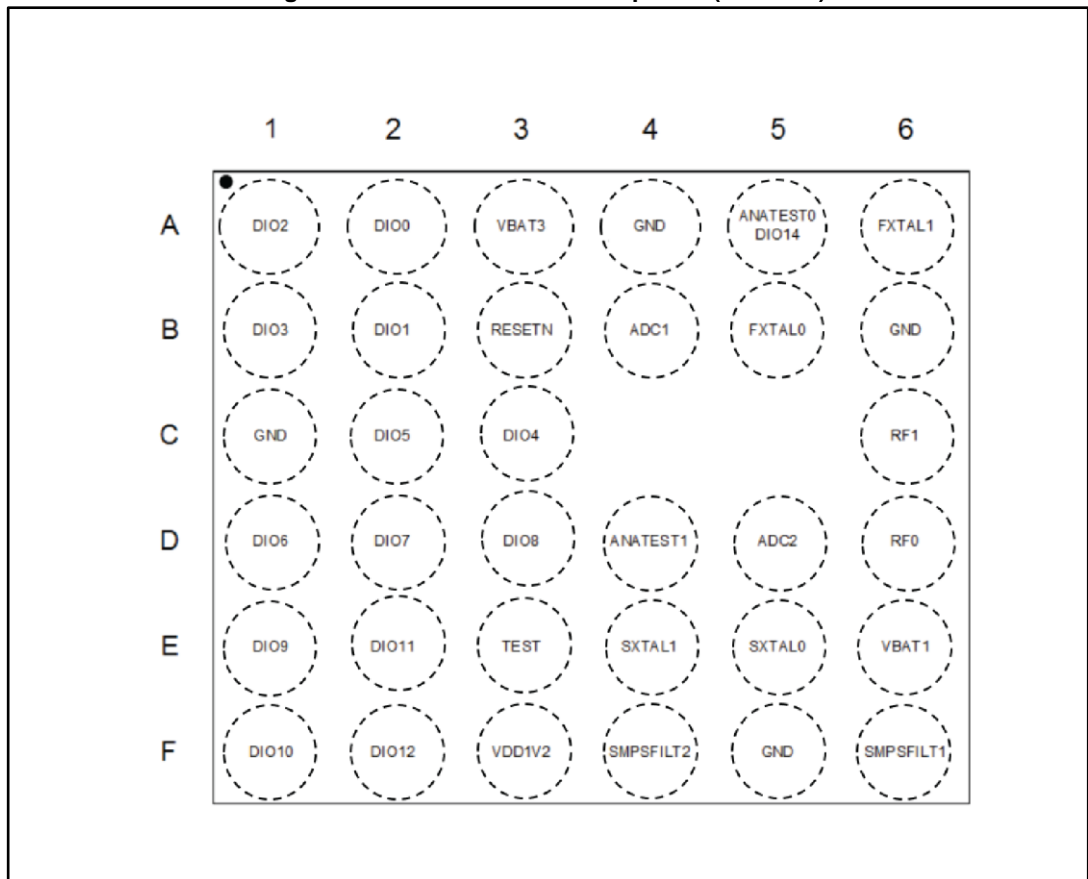


Figure 23: BlueNRG-1 ball out bottom view (WCSP34)

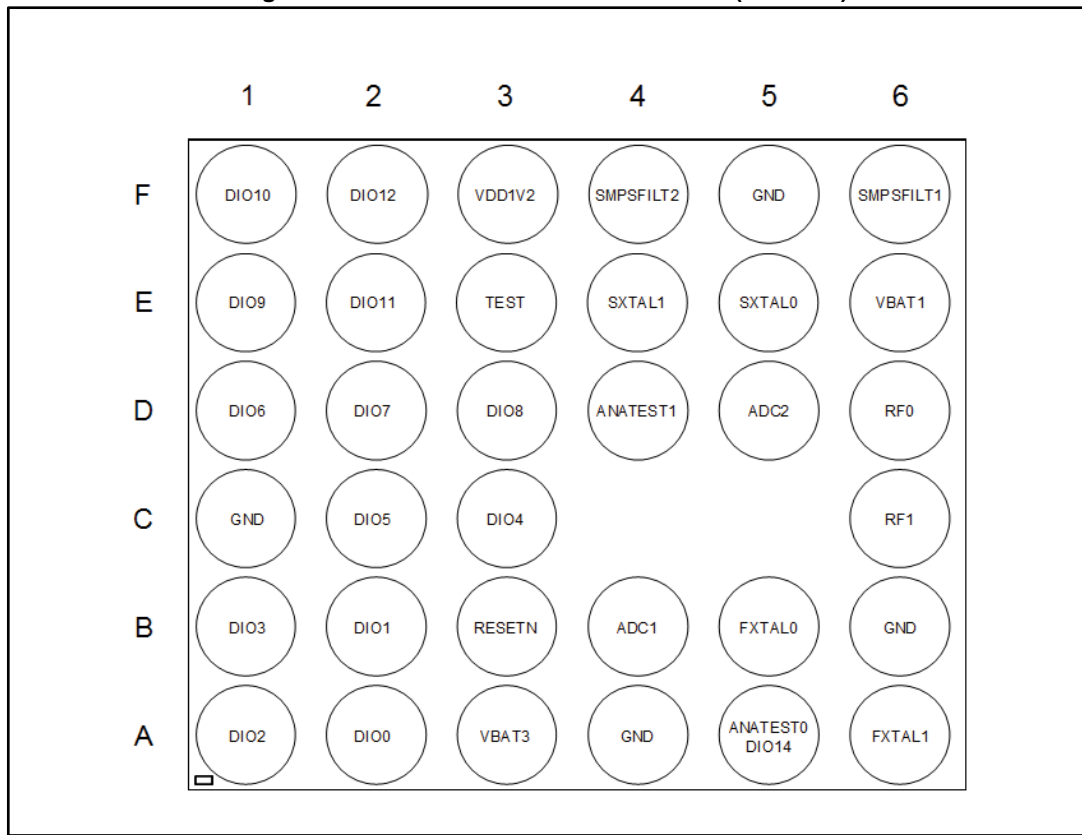


Table 198: Pinout description

| Pins |    | Name                          | I/O | Description                                    |
|------|----|-------------------------------|-----|------------------------------------------------|
| 1    | F1 | IO10                          | I/O | General purpose digital I/O                    |
| 2    | E1 | IO9                           | I/O | General purpose digital I/O                    |
| 3    | D3 | IO8                           | I/O | General purpose digital I/O                    |
| 4    | D2 | IO7/BOOT <sup>(1)</sup>       | I/O | Bootloader pin/<br>General purpose digital I/O |
| 5    | D1 | IO6                           | I/O | General purpose digital I/O                    |
| 6    | A3 | VBAT3                         | VDD | Battery voltage input                          |
| 7    | C2 | IO5                           | I/O | General purpose digital I/O                    |
| 8    | C3 | IO4                           | I/O | General purpose digital I/O                    |
| 9    | B1 | IO3                           | I/O | General purpose digital I/O                    |
| 10   | A1 | IO2                           | I/O | General purpose digital I/O                    |
| 11   | B2 | IO1                           | I/O | General purpose digital I/O                    |
| 12   | A2 | IO0                           | I/O | General purpose digital I/O                    |
| 13   | A5 | ANATEST0 <sup>(2)</sup> /IO14 | I/O | Analog output/<br>General purpose digital I/O  |
| 14   | D4 | ANATEST1 <sup>(1)</sup>       | O   | Analog output                                  |
| 15   | B4 | ADC1                          | I   | ADC input 1                                    |

| Pins |    | Name      | I/O | Description                                          |
|------|----|-----------|-----|------------------------------------------------------|
| 16   | D5 | ADC2      | I   | ADC input 2                                          |
| 17   | A6 | FXTAL1    | I   | 16/32 MHz crystal                                    |
| 18   | B5 | FXTAL0    | I   | 16/32 MHz crystal                                    |
| 19   | -  | VBAT2     | VDD | Battery voltage input                                |
| 20   | C6 | RF1       | I/O | Antenna + matching circuit connection                |
| 21   | D6 | RF0       | I/O | Antenna + matching circuit connection                |
| 22   | E4 | SXTAL1    | I   | 32 kHz crystal                                       |
| 23   | E5 | SXTAL0    | I   | 32 kHz crystal                                       |
| 24   | E6 | VBAT1     | VDD | Battery voltage input                                |
| 25   | B3 | RESETN    | I   | System reset                                         |
| 26   | F6 | SMPSFILT1 | I   | SMPS output to external filter                       |
| 27   | F4 | SMPSFILT2 | I/O | SMPS output to external filter/battery voltage input |
| 28   | F3 | VDD1V2    | O   | 1.2 V digital core output                            |
| 29   | -  | IO13      | I/O | General purpose digital Input                        |
| 30   | F2 | IO12      | I/O | General purpose digital Input                        |
| 31   | E3 | TEST      | I   | Test pin put to GND                                  |
| 32   | E2 | IO11      | I/O | General purpose digital I/O                          |
| -    | A4 | GND       | GND | Ground                                               |
| -    | B6 | GND       | GND | Ground                                               |
| -    | C1 | GND       | GND | Ground                                               |
| -    | F5 | GND       | GND | Ground                                               |

**Notes:**

<sup>(1)</sup>The pin IO7/BOOT is monitored by bootloader after power up or hardware Reset and it should be low to prevent unwanted bootloader activation.

<sup>(2)</sup>Pins used for the crystal startup measurement.

## 5 Memory mapping

Program memory, data memory, registers and I/O ports are organized within the same linear 4-Gbyte address space.

The bytes are coded in memory in little Endian format. The lowest numbered byte in a word is considered the word's least significant byte and highest numbered byte the most significant.

The addressable memory space is divided into 16 main blocks, each 256 MB. All the memory areas that are not allocated to on-chip memories and peripherals are considered "RESERVED".

For the detailed mapping of an available memory and register areas, please refer to the memory map in table below and to the register lists detailed in each of the peripheral sections.

**Table 199: Memory mapping**

| Address                   | Cortex-M0 address map | Size   | Description         |
|---------------------------|-----------------------|--------|---------------------|
| 0x0000_0000 – 0x0000_0FFF | Code                  | 4 kB   | ROM                 |
| 0x1000_0000 – 0x1000_0FFF | Code                  | 4 kB   | ROM                 |
| 0x1004_0000 – 0x1006_7FFF | Code                  | 160 kB | Flash               |
| 0x2000_0000 – 0x2000_2FFF | SRAM0 always on       | 12 kB  | SRAM                |
| 0x2000_3000 – 0x2000_5FFF | SRAM1 switchable      | 12 kB  | SRAM                |
| 0x2000_6000 – 0x3FFF_FFFF |                       |        | RESERVED            |
| 0x4000_0000               | APB peripheral        | 4 kB   | GPIO                |
| 0x4010_0000               |                       | 4 kB   | Flash controller    |
| 0x4020_0000               |                       | 4 kB   | System controller   |
| 0x4030_0000               |                       | 4 kB   | UART                |
| 0x4040_0000               |                       | 4 kB   | SPI                 |
| 0x4050_0000               |                       | 4 kB   | RESERVED            |
| 0x4060_0000               |                       | 4 kB   | RESERVED            |
| 0x4070_0000               |                       | 4 kB   | Watchdog            |
| 0x4080_0000               |                       | 4 kB   | ADC                 |
| 0x4090_0000               |                       | 4 kB   | Clock generator     |
| 0x40A0_0000               |                       | 4 kB   | I2C2                |
| 0x40B0_0000               |                       | 4 kB   | I2C1 <sup>(1)</sup> |
| 0x40C0_0000               |                       | 4 kB   | AHB up converter    |
| 0x40D0_0000               |                       | 4 kB   | MFT1                |
| 0x40E0_0000               |                       | 4 kB   | MFT2                |
| 0x40F0_0000               |                       | 4 kB   | RTC                 |
| 0x4100_0000               |                       | 4 kB   | RESERVED            |
| 0x4800_0000               |                       | 4 kB   | BLE controller      |
| 0x4810_0000               |                       | 4 kB   | BLE clock generator |

| Address                   | Cortex-M0 address map  | Size   | Description         |
|---------------------------|------------------------|--------|---------------------|
| 0x5000_0000               | AHB peripheral         | 4 kB   | RESERVED            |
| 0xA000_0000               |                        | 4 kB   | DMA controller      |
| 0xB000_0000               |                        | 4 kB   | RNG                 |
| 0xC000_0000               |                        | 4 kB   | PKA                 |
| 0xC000_0400               |                        | 4 kB   | PKA RAM             |
| 0xE000_0000 – 0xE00F_FFFF | Private peripheral bus | 1 MB   | Cortex-M0 registers |
| 0xE010_0000 – 0xEFFF_FFFF | RESERVED               | 256 MB | RESERVED            |
| 0xF000_0000 – 0xFFFF_FFFF |                        | 256 MB | RESERVED            |

**Notes:**

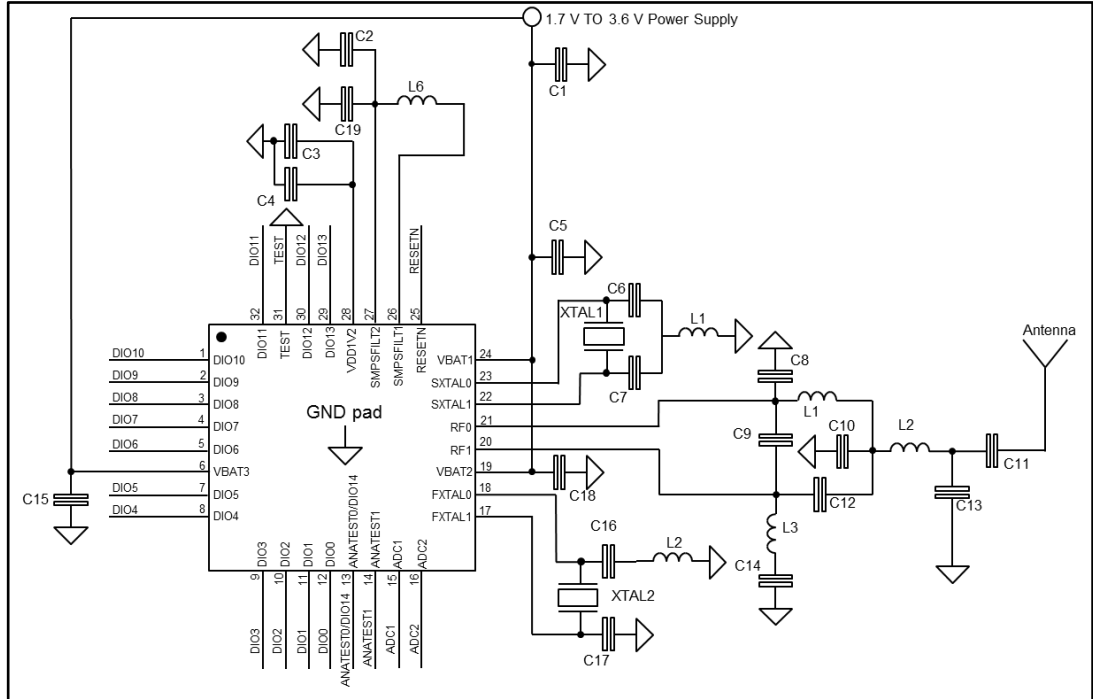
<sup>(1)</sup>The I<sup>2</sup>C 1 is not available in WLCSP34 package.

All the peripherals are addressed by APB, except DMA, RNG and PKA peripherals that are addressed by AHB. The peripherals DMA, RNG and PKA that are addressed through the AHB, must be accessed only with 32-bit accesses. Any 8-bit or 16-bit access generates an AHB error leading to a hard fault on Cortex-M0.

# 6 Application circuit

The schematics below are purely indicative.

**Figure 24: Application circuit: active DC-DC converter QFN32 package**



**Figure 25: Application circuit: non-active DC-DC converter QFN32 package**

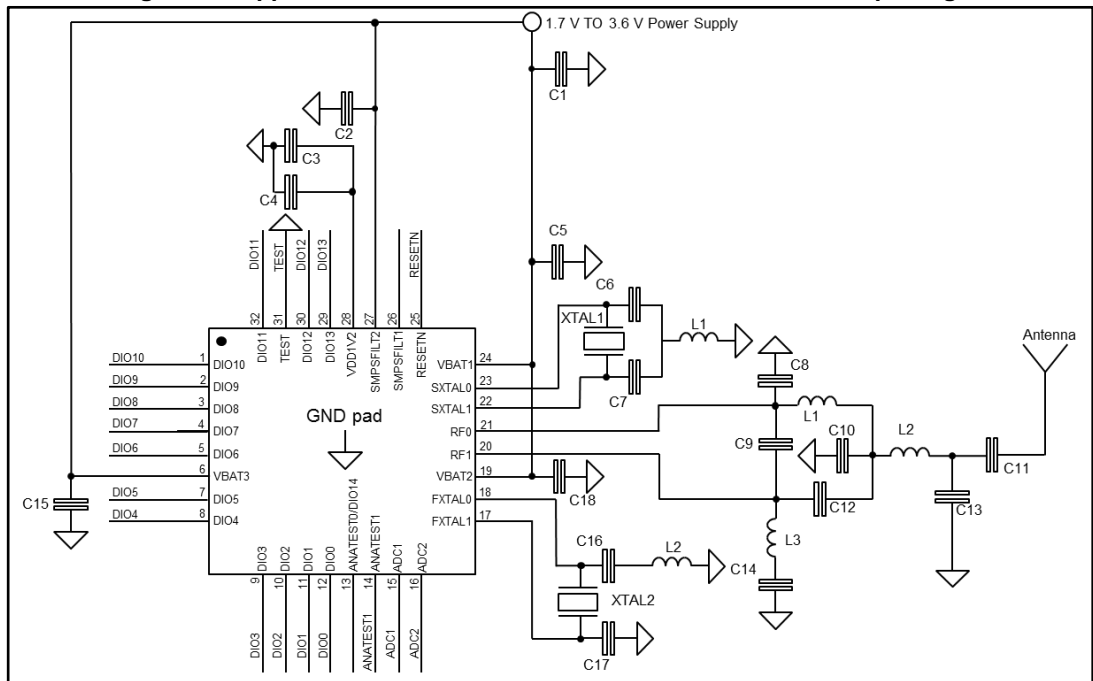


Figure 26: Application circuit: active DC-DC converter WCSP34 package

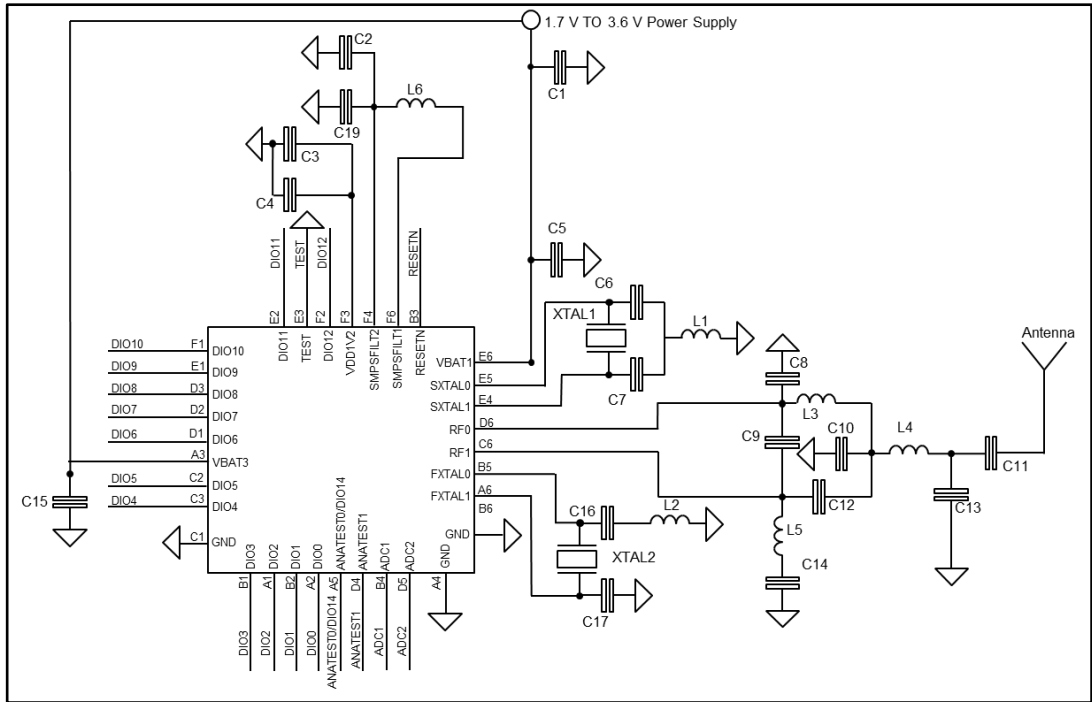


Figure 27: Application circuit: non active DC-DC converter WCSP34 package

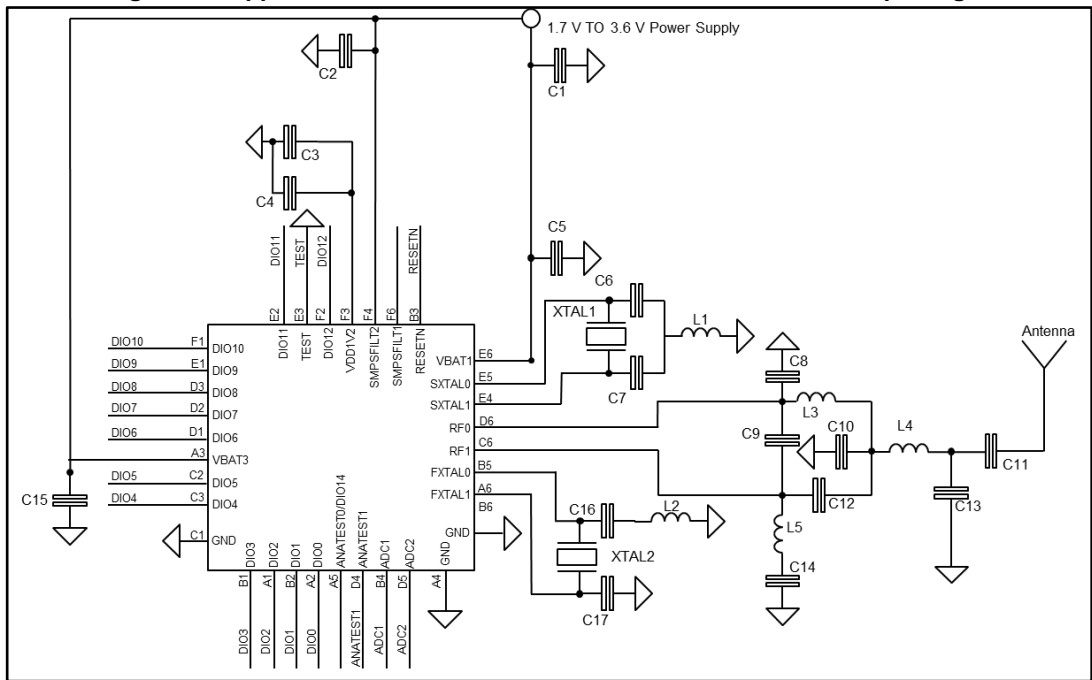


Table 200: External component list

| Component | Description                                      |
|-----------|--------------------------------------------------|
| C1        | Decoupling capacitor                             |
| C2        | DC-DC converter output capacitor                 |
| C3        | Decoupling capacitor for 1.2 V digital regulator |
| C4        | Decoupling capacitor for 1.2 V digital regulator |
| C5        | Decoupling capacitor                             |
| C6        | 32 kHz crystal loading capacitor                 |
| C7        | 32 kHz crystal loading capacitor                 |
| C8        | RF balun/matching network capacitor              |
| C9        | RF balun/matching network capacitor              |
| C10       | RF balun/matching network capacitor              |
| C11       | RF balun/matching network capacitor              |
| C12       | RF balun/matching network capacitor              |
| C13       | RF balun/matching network capacitor              |
| C14       | RF balun/matching network capacitor              |
| C15       | Decoupling capacitor                             |
| C16       | 16/32 MHz crystal loading capacitor              |
| C17       | 16/32 MHz crystal loading capacitor              |
| C18       | Decoupling capacitor                             |
| C19       | DC-DC converter output capacitor                 |
| L1        | 32 kHz crystal filter inductor                   |
| L2        | 16/32 MHz crystal filter inductor                |
| L3        | RF balun/matching network inductor               |
| L4        | RF balun/matching network inductor               |
| L5        | RF balun/matching network inductor               |
| XTAL1     | 32 kHz crystal (optional)                        |
| XTAL2     | 16/32 MHz crystal                                |



## 7 Absolute maximum ratings and thermal data

Table 201: Absolute maximum ratings

| Pin                                               | Parameter                                       | Value        | Unit |
|---------------------------------------------------|-------------------------------------------------|--------------|------|
| VBAT3, VBAT2, VBAT1, RESETN, SMPSFILT1, SMPSFILT2 | DC-DC converter supply voltage input and output | -0.3 to +3.9 | V    |
| VDD1V2                                            | DC voltage on linear voltage regulator          | -0.3 to +3.9 | V    |
| DIO0 to DIO14, TEST                               | DC voltage on digital input/output pins         | -0.3 to +3.9 | V    |
| ANATEST0, ANATEST1, ADC1, ADC2                    | DC voltage on analog pins                       | -0.3 to +3.9 | V    |
| FXTAL0, FXTAL1, SXTAL0, SXTAL1                    | DC voltage on XTAL pins                         | -0.3 to +1.4 | V    |
| RF0, RF1                                          | DC voltage on RF pins                           | -0.3 to +1.4 | V    |
| TSTG                                              | Storage temperature range                       | -40 to +125  | °C   |
| VESD-HBM                                          | Electrostatic discharge voltage                 | ±2.0         | kV   |



Absolute maximum ratings are those values above which damage to the device may occur. Functional operation under these conditions is not implied. All voltages are referred to GND.

Table 202: Thermal data

| Symbol   | Parameter                           | Value                       | Unit |
|----------|-------------------------------------|-----------------------------|------|
| Rthj-amb | Thermal resistance junction-ambient | 34 (QFN32)<br>50 (WLCSP34)  | °C/W |
| Rthj-c   | Thermal resistance junction-case    | 2.5 (QFN32)<br>25 (WLCSP34) | °C/W |

## 8 General characteristics

Table 203: Recommended operating conditions

| Symbol         | Parameter                           | Min. | Typ. | Max. | Unit |
|----------------|-------------------------------------|------|------|------|------|
| VBAT           | Operating battery supply voltage    | 1.7  |      | 3.6  | V    |
| T <sub>A</sub> | Operating ambient temperature range | -40  |      | +105 | °C   |

## 9 Electrical specifications

### 9.1 Electrical characteristics

Characteristics measured over recommended operating conditions unless otherwise specified. Typical value are referred to  $T_A = 25\text{ }^\circ\text{C}$ ,  $V_{BAT} = 3.0\text{ V}$ . All performance data are referred to a  $50\text{ }\Omega$  antenna connector, via reference design, QFN32 package version.

**Table 204: Electrical characteristics**

| Symbol                                            | Parameter      | Test conditions                                | Min. | Typ. | Max. | Unit          |
|---------------------------------------------------|----------------|------------------------------------------------|------|------|------|---------------|
| Power consumption when DC-DC converter active     |                |                                                |      |      |      |               |
| $I_{BAT}$                                         | Supply current | Reset                                          | –    | 5    | –    | nA            |
|                                                   |                | Standby                                        | –    | 500  | –    | nA            |
|                                                   |                | Sleep mode: 32 kHz XO ON (24 kB retention RAM) | –    | 0.9  | –    | $\mu\text{A}$ |
|                                                   |                | Sleep mode: 32 kHz RO ON (24 kB retention RAM) |      | 2.1  |      |               |
|                                                   |                | Active mode: CPU, Flash and RAM on             | –    | 1.9  | –    | mA            |
|                                                   |                | RX                                             | –    | 7.7  | –    | mA            |
|                                                   |                | TX +8 dBm                                      | –    | 15.1 | –    | mA            |
|                                                   |                | TX +4 dBm                                      |      | 10.9 |      |               |
|                                                   |                | TX +2 dBm                                      |      | 9    |      |               |
|                                                   |                | TX -2 dBm                                      |      | 8.3  |      |               |
|                                                   |                | TX -5 dBm                                      |      | 7.7  |      |               |
|                                                   |                | TX -8 dBm                                      |      | 7.1  |      |               |
|                                                   |                | TX -11 dBm                                     |      | 6.8  |      |               |
|                                                   |                | TX -14 dBm                                     |      | 6.6  |      |               |
| Power consumption when DC-DC converter not active |                |                                                |      |      |      |               |
| $I_{BAT}$                                         | Supply current | Reset                                          | –    | 5    | –    | nA            |
|                                                   |                | Standby                                        | –    | 500  | –    | nA            |
|                                                   |                | Sleep mode: 32 kHz XO ON (24 kB retention RAM) | –    | 0.9  | –    | $\mu\text{A}$ |
|                                                   |                | Sleep mode: 32 kHz RO ON (24 kB retention RAM) | –    | 2.1  | –    |               |
|                                                   |                | Active mode: CPU, Flash and RAM on             | –    | 3.3  | –    | mA            |
| $I_{BAT}$                                         | Supply current | RX                                             | –    | 14.5 | –    | mA            |
|                                                   |                | TX +8 dBm                                      | –    | 28.8 |      |               |
|                                                   |                | TX +4 dBm                                      |      | 20.5 |      |               |
|                                                   |                | TX +2 dBm                                      |      | 17.2 |      |               |
|                                                   |                | TX -2 dBm                                      |      | 15.3 |      |               |
|                                                   |                | TX -5 dBm                                      |      | 14   |      |               |

| Symbol | Parameter | Test conditions | Min. | Typ. | Max. | Unit |
|--------|-----------|-----------------|------|------|------|------|
|        |           | TX -8 dBm       |      | 13   |      |      |
|        |           | TX -11 dBm      |      | 12.3 |      |      |
|        |           | TX -14 dBm      |      | 12   |      |      |

Table 205: Digital I/O specifications

| Symbol | Test conditions | Min.     | Typ. | Max.    | Unit |
|--------|-----------------|----------|------|---------|------|
| VIL    |                 |          | –    | 0.3*VDD | V    |
| VIH    |                 | 0.65*VDD | –    |         | V    |
| VOL    | IOL = 3 mA      |          | –    | 0.4     | V    |
| VOH    | IOH = 3 mA      | 0.7*VDD  | –    |         | V    |

### 9.1.1 Peripheral current consumption

Table 206: Peripheral current consumption

| Peripheral        | Typical consumption<br>V <sub>DD</sub> = 3.0 V, T <sub>A</sub> = 25 °C | Unit |
|-------------------|------------------------------------------------------------------------|------|
| GPIO              | 11.6                                                                   | μA   |
| Flash controller  | 6.3                                                                    |      |
| System controller | 0.2                                                                    |      |
| UART              | 82.3                                                                   |      |
| SPI               | 46.5                                                                   |      |
| Watchdog          | 3.6                                                                    |      |
| ADC               | 6.3                                                                    |      |
| I2C1              | 95.9                                                                   |      |
| I2C2              | 97.1                                                                   |      |
| MFT1              | 5.4                                                                    |      |
| MFT2              | 6.2                                                                    |      |
| RTC               | 7.5                                                                    |      |
| DMA               | 16.3                                                                   |      |
| RNC               | 21.7                                                                   |      |
| PKA               | 23.7                                                                   |      |



The values are calculated as the increment to the current consumption when the peripheral is activated. The peripheral is activated if the related clock is provided.

## 9.2 RF general characteristics

Characteristics measured over recommended operating conditions unless otherwise specified. Typical value are referred to  $T_A = 25\text{ °C}$ ,  $V_{BAT} = 3.0\text{ V}$ . All performance data are referred to a  $50\text{ }\Omega$  antenna connector, via reference design, QFN32 package version.

Table 207: RF general characteristics

| Symbol | Parameter                   | Test conditions | Min. | Typ. | Max.   | Unit |
|--------|-----------------------------|-----------------|------|------|--------|------|
| FREQ   | Frequency range             |                 | 2400 | –    | 2483.5 | MHz  |
| FCH    | Channel spacing             |                 | –    | 2    | –      | MHz  |
| RFch   | RF channel center frequency |                 | 2402 | –    | 2480   | MHz  |

## 9.3 RF transmitter characteristics

Characteristics measured over recommended operating conditions unless otherwise specified. Typical value are referred to  $T_A = 25\text{ °C}$ ,  $V_{BAT} = 3.0\text{ V}$ . All performance data are referred to a  $50\text{ }\Omega$  antenna connector, via reference design, QFN32 package version.

Table 208: RF transmitter characteristics

| Symbol | Parameter                                              | Test conditions                                            | Min. | Typ.                 | Max. | Unit     |
|--------|--------------------------------------------------------|------------------------------------------------------------|------|----------------------|------|----------|
| MOD    | Modulation scheme                                      |                                                            | GFSK |                      |      |          |
| BT     | Bandwidth-bit period product                           |                                                            | –    | 0.5                  | –    |          |
| Mindex | Modulation index                                       |                                                            | –    | 0.5                  | –    |          |
| DR     | Air data rate                                          |                                                            | –    | 1                    | –    | Mbps     |
| PMAX   | Maximum output power                                   | At antenna connector                                       | –    | +8                   | +10  | dBm      |
| PRFC   | Minimum output power                                   |                                                            | –    | -16.5                | –    | dBm      |
| PBW1M  | 6 dB bandwidth for modulated carrier (1 Mbps)          | Using resolution bandwidth of 100 kHz                      | 500  | –                    | –    | kHz      |
| PRF1   | 1 <sup>st</sup> Adjacent channel transmit power 2 MHz  | Using resolution bandwidth of 100 kHz and average detector | –    | -35                  | –    | dBm      |
| PRF2   | 2 <sup>nd</sup> Adjacent channel transmit power >3 MHz | Using resolution bandwidth of 100 kHz and average detector | –    | -40                  | –    | dBm      |
| ZLOAD  | Optimum differential load                              | @ 2440 MHz                                                 | –    | $25.4 + j20.8^{(1)}$ | –    | $\Omega$ |

**Notes:**

<sup>(1)</sup>Simulated value.

## 9.4 RF receiver characteristics

Characteristics measured over recommended operating conditions unless otherwise specified. Typical value are referred to  $T_A = 25\text{ }^\circ\text{C}$ ,  $V_{BAT} = 3.0\text{ V}$ . All performance data are referred to a  $50\text{ }\Omega$  antenna connector, via reference design, QFN32 package version.

**Table 209: RF receiver characteristics**

| Symbol                                                                                  | Parameter                                                                           | Test conditions                          | Min. | Typ.           | Max. | Unit     |
|-----------------------------------------------------------------------------------------|-------------------------------------------------------------------------------------|------------------------------------------|------|----------------|------|----------|
| RXSENS                                                                                  | Sensitivity                                                                         | BER <0.1%                                |      | -88            |      | dBm      |
| PSAT                                                                                    | Saturation                                                                          | BER <0.1%                                |      | 11             |      | dBm      |
| zIN                                                                                     | Input differential impedance                                                        | @ 2440 MHz                               |      | 25.5-<br>j14.2 |      | $\Omega$ |
| RF selectivity with BLE equal modulation on interfering signal                          |                                                                                     |                                          |      |                |      |          |
| C/ICO-channel                                                                           | Co-channel interference                                                             | Wanted signal = -67 dBm, BER $\leq$ 0.1% |      | 6              |      | dBc      |
| C/I1 MHz                                                                                | Adjacent (+1 MHz) interference                                                      | Wanted signal = -67 dBm, BER $\leq$ 0.1% |      | 0              |      | dBc      |
| C/I2 MHz                                                                                | Adjacent (+2 MHz) interference                                                      | Wanted signal = -67 dBm, BER $\leq$ 0.1% |      | -40            |      | dBc      |
| C/I3 MHz                                                                                | Adjacent (+3 MHz) interference                                                      | Wanted signal = -67 dBm, BER $\leq$ 0.1% |      | -47            |      | dBc      |
| C/I $\geq$ 4 MHz                                                                        | Adjacent ( $\geq \pm 4$ MHz) interference                                           | Wanted signal = -67 dBm, BER $\leq$ 0.1% |      | -46            |      | dBc      |
| C/I $\geq$ 6 MHz                                                                        | Adjacent ( $\geq \pm 6$ MHz) interference                                           | Wanted signal = -67 dBm, BER $\leq$ 0.1% |      | -48            |      | dBc      |
| C/I $\geq$ 25 MHz                                                                       | Adjacent ( $\geq \pm 25$ MHz) interference                                          | Wanted signal = -67 dBm, BER $\leq$ 0.1% |      | -70            |      | dBc      |
| C/Iimage                                                                                | Image frequency interference<br>-2 MHz                                              | Wanted signal = -67 dBm, BER $\leq$ 0.1% |      | -16            |      | dBc      |
| C/Iimage $\pm$ 1 MHz                                                                    | Adjacent ( $\pm 1$ MHz) interference to in-band image frequency<br>-1 MHz<br>-3 MHz | Wanted signal = -67 dBm, BER $\leq$ 0.1% |      | 0<br>-23       |      | dBc      |
| Intermodulation characteristics (CW signal at $f_1$ , BLE interfering signal at $f_2$ ) |                                                                                     |                                          |      |                |      |          |
| P_IM(3)                                                                                 | Input power of IM interferes at 3 and 6 MHz distance from wanted signal             | Wanted signal = -64 dBm, BER $\leq$ 0.1% |      | -34            |      | dBm      |
| P_IM(-3)                                                                                | Input power of IM interferes at -3 and -6 MHz distance from wanted signal           | Wanted signal = -64 dBm, BER $\leq$ 0.1% |      | -48            |      | dBm      |

| Symbol  | Parameter                                                                            | Test conditions                           | Min. | Typ. | Max. | Unit |
|---------|--------------------------------------------------------------------------------------|-------------------------------------------|------|------|------|------|
| P_IM(4) | Input power of IM interferes at $\pm 4$ and $\pm 8$ MHz distance from wanted signal  | Wanted signal = -64 dBm, BER $\leq 0.1\%$ |      | -34  |      | dBm  |
| P_IM(5) | Input power of IM interferes at $\pm 5$ and $\pm 10$ MHz distance from wanted signal | Wanted signal = -64 dBm, BER $\leq 0.1\%$ |      | -34  |      | dBm  |

## 9.5 High speed crystal oscillator characteristics

Characteristics measured over recommended operating conditions unless otherwise specified. Typical value are referred to  $T_A = 25\text{ }^\circ\text{C}$ ,  $V_{BAT} = 3.0\text{ V}$ .

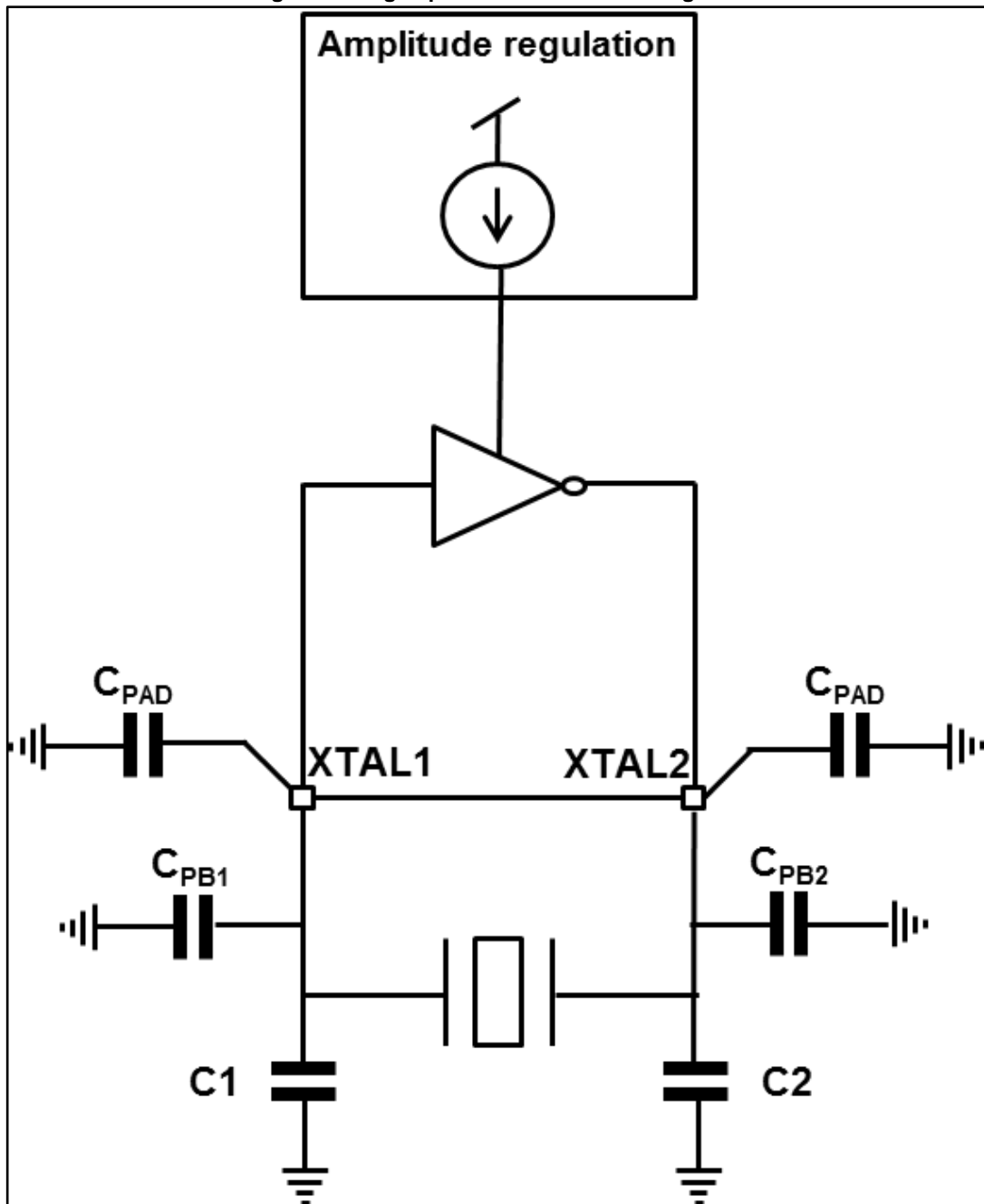
Table 210: High speed crystal oscillator characteristics

| Symbol | Parameter                    | Test conditions                                                                                                      | Min. | Typ.  | Max.     | Unit          |
|--------|------------------------------|----------------------------------------------------------------------------------------------------------------------|------|-------|----------|---------------|
| fNOM   | Nominal frequency            |                                                                                                                      | –    | 16/32 | –        | MHz           |
| fTOL   | Frequency tolerance          | Includes initial accuracy, stability over temperature, aging and frequency pulling due to incorrect load capacitance | –    | –     | $\pm 50$ | ppm           |
| ESR    | Equivalent series resistance |                                                                                                                      | –    | –     | 100      | $\Omega$      |
| PD     | Drive level                  |                                                                                                                      | –    | –     | 100      | $\mu\text{W}$ |

### 9.5.1 High speed crystal oscillator

The BlueNRG includes a fully integrated low power 16/32 MHz Xtal oscillator with an embedded amplitude regulation loop. In order to achieve low power operation and good frequency stability of the XTAL oscillator, certain considerations with respect to the quartz load capacitance  $C_0$  need to be taken into account. [Figure 28: "High speed oscillator block diagram"](#) shows a simplified block diagram of the amplitude regulated oscillator used on the BlueNRG-1.

Figure 28: High speed oscillator block diagram



Low power consumption and fast startup time is achieved by choosing a quartz crystal with a low load capacitance  $C_0$ . A reasonable choice for capacitor  $C_0$  is 12 pF. To achieve good frequency stability, the following equation needs to be satisfied:

$$C_0 = \frac{C_1' * C_2'}{C_1 + C_2}$$

Where  $C_1' = C_1 + C_{PCB1} + C_{PAD}$ ,  $C_2' = C_2 + C_{PCB2} + C_{PAD}$ , where  $C_1$  and  $C_2$  are external (SMD) components,  $C_{PCB1}$  and  $C_{PCB2}$  are PCB routing parasites and  $C_{PAD}$  is the equivalent small-signal pad-capacitance. The value of  $C_{PAD}$  is around 0.5 pF for each pad. The routing parasites should be minimized by placing quartz and  $C_1/C_2$  capacitors close to the chip, not



only for an easier matching of the load capacitance  $C_0$ , but also to ensure robustness against noise injection. Connect each capacitor of the Xtal oscillator to ground by a separate vias.

## 9.6 Low speed crystal oscillator characteristics

Characteristics measured over recommended operating conditions unless otherwise specified. Typical value are referred to  $T_A = 25\text{ }^\circ\text{C}$ ,  $V_{BAT} = 3.0\text{ V}$ .

Table 211: Low speed crystal oscillator characteristics

| Symbol           | Parameter                    | Test conditions                                                                                                       | Min. | Typ.   | Max. | Unit |
|------------------|------------------------------|-----------------------------------------------------------------------------------------------------------------------|------|--------|------|------|
| f <sub>NOM</sub> | Nominal frequency            |                                                                                                                       | –    | 32.768 | –    | kHz  |
| f <sub>TOL</sub> | Frequency tolerance          | Includes initial accuracy, stability over temperature, aging and frequency pulling due to incorrect load capacitance. | –    | –      | ±50  | ppm  |
| ESR              | Equivalent series resistance |                                                                                                                       | –    | –      | 90   | kΩ   |
| PD               | Drive level                  |                                                                                                                       | –    | –      | 0.1  | μW   |



These values are the correct ones for NX3215SA-32.768 kHz-EXS00A-MU00003.

## 9.7 High speed ring oscillator characteristics

Characteristics measured over recommended operating conditions unless otherwise specified. Typical value are referred to  $T_A = 25\text{ }^\circ\text{C}$ ,  $V_{BAT} = 3.0\text{ V}$ .

Table 212: High speed ring oscillator characteristics

| Symbol           | Parameter         | Test conditions | Min. | Typ. | Max. | Unit |
|------------------|-------------------|-----------------|------|------|------|------|
| f <sub>NOM</sub> | Nominal frequency |                 | –    | 14   | –    | MHz  |

## 9.8 Low speed ring oscillator characteristics

Characteristics measured over recommended operating conditions unless otherwise specified. Typical value are referred to  $T_A = 25\text{ }^\circ\text{C}$ ,  $V_{BAT} = 3.0\text{ V}$ , QFN32 package version.

Table 213: Low speed ring oscillator characteristics

| Symbol                          | Parameter           | Test conditions | Min. | Typ. | Max. | Unit |
|---------------------------------|---------------------|-----------------|------|------|------|------|
| 32 kHz ring oscillator (LSROSC) |                     |                 |      |      |      |      |
| f <sub>NOM</sub>                | Nominal frequency   |                 | –    | 32   | –    | kHz  |
| f <sub>TOL</sub>                | Frequency tolerance |                 | –    | –    | ±500 | ppm  |

## 9.9 N-fractional frequency synthesizer characteristics

Characteristics measured over recommended operating conditions unless otherwise specified. Typical value are referred to  $T_A = 25\text{ }^\circ\text{C}$ ,  $V_{BAT} = 3.0\text{ V}$ ,  $f_c = 2440\text{ MHz}$ .

Table 214: N-Fractional frequency synthesizer characteristics

| Symbol   | Parameter              | Test conditions                    | Min. | Typ. | Max. | Unit    |
|----------|------------------------|------------------------------------|------|------|------|---------|
| PNSYNTH  | RF carrier phase noise | At $\pm 1$ MHz offset from carrier | –    | -113 | –    | dBc/Hz  |
|          |                        | At $\pm 3$ MHz offset from carrier | –    | -119 | –    | dBc/Hz  |
| LOCKTIME | PLL lock time          |                                    | –    | –    | 40   | $\mu$ s |
| TOTIME   | PLL turn-on / hop time | Including calibration              | –    | –    | 150  | $\mu$ s |

## 9.10 Auxiliary block characteristics

Characteristics measured over recommended operating conditions unless otherwise specified. Typical values are referenced to  $T_A = 25\text{ }^\circ\text{C}$ ,  $V_{BAT} = 3.0\text{ V}$ ,  $f_{ADCclk} = 1\text{ MHz}$ . QFN32 package version.

Table 215: Auxiliary block characteristics

| Symbol                            | Parameter                | Test conditions                                                                                                                                                                               | Min.   | Typ. | Max.                                             | Unit |
|-----------------------------------|--------------------------|-----------------------------------------------------------------------------------------------------------------------------------------------------------------------------------------------|--------|------|--------------------------------------------------|------|
| Analog-to-digital converter (ADC) |                          |                                                                                                                                                                                               |        |      |                                                  |      |
| $V_{DDA}$                         | Analog supply voltage    |                                                                                                                                                                                               | 1.7    | 3.0  | 3.6                                              | V    |
| $I_{DDA, AVG}$                    | Analog supply current    | Average current during conversion                                                                                                                                                             | –      | –    | 0.55                                             | mA   |
| $V_{INP, INN}$                    | Input pin voltage        | With input attenuator                                                                                                                                                                         | -50 mV | –    | ( $V_{BAT} + 50\text{ mV}$ ) / input attenuation | V    |
| SNR Diff                          | Signal-to-noise ratio    | Differential input, with $V_{bias} = 0.6\text{ V}$ , $OSR = 200$ , $PGA = 0\text{ dB}$ . Sinewave with $V_{inDC} = 0.6\text{ V}$ , $V_{peak\ diff} = 0.85\text{ V}$ , $F_{in} = 1\text{ kHz}$ | –      | 74   | –                                                | dB   |
| SNR SE 1                          | Signal-to-noise ratio    | Single-ended input, with $V_{bias} = 0.6\text{ V}$ , $OSR = 200$ , $PGA = 0\text{ dB}$ . Sinewave with $V_{inDC} = 0.6\text{ V}$ , $V_{peak} = 0.425\text{ V}$ , $F_{in} = 1\text{ kHz}$      | –      | 70   | –                                                | dB   |
| SNR SE 2                          | Signal-to-noise ratio    | Single-ended input, with $V_{bias} = 1.2\text{ V}$ , $OSR = 200$ , $PGA = 0\text{ dB}$ . Sinewave with $V_{inDC} = 1.2\text{ V}$ , $V_{peak} = 0.85\text{ V}$ , $F_{in} = 1\text{ kHz}$       | –      | 74   | –                                                | dB   |
| ENOB Diff                         | Effective number of bits | Differential input, with $V_{bias} = 0.6\text{ V}$ , $OSR = 200$ , $PGA = 0\text{ dB}$ . Sinewave with $V_{inDC} = 0.6\text{ V}$ , $V_{peak\ diff} = 0.85\text{ V}$ , $F_{in} = 1\text{ kHz}$ | –      | 12   | –                                                | bit  |

| Symbol                                            | Parameter                            | Test conditions                                                                                                                          | Min. | Typ. | Max.  | Unit |
|---------------------------------------------------|--------------------------------------|------------------------------------------------------------------------------------------------------------------------------------------|------|------|-------|------|
| ENOB SE 1a                                        | Effective number of bits             | Single-ended input, with $V_{bias} = 0.6$ V, OSR = 200, PGA=0 dB. Sinewave with $V_{inDC}=0.6$ V, $V_{peak} = 0.425$ V, $F_{in} = 1$ kHz | –    | 8.5  | –     | bit  |
| ENOB SE 1b                                        | Effective number of bits             | Single-ended input, with $V_{bias} = 0.6$ V, OSR = 200, PGA=0 dB. Sinewave with $V_{inDC}=0.6$ V, $V_{peak} = 0.15$ V, $F_{in} = 1$ kHz  | –    | 9.5  | –     | bit  |
| ENOB SE 2a                                        | Effective number of bits             | Single-ended input, with $V_{bias} = 1.2$ V, OSR = 200, PGA=0 dB. Sinewave with $V_{inDC}=1.2$ V, $V_{peak} = 0.85$ V, $F_{in} = 1$ kHz  | –    | 8.5  | –     | bit  |
| ENOB SE 2b                                        | Effective number of bits             | Single-ended input, with $V_{bias} = 1.2$ V, OSR = 200, PGA=0 dB. Sinewave with $V_{inDC}=1.2$ V, $V_{peak} = 0.3$ V, $F_{in} = 1$ kHz   | –    | 9.5  | –     | bit  |
| Analog temperature sensor                         |                                      |                                                                                                                                          |      |      |       |      |
| TRANGE                                            | Temperature range                    |                                                                                                                                          | -40  | –    | +105  | °C   |
| TERR                                              | Error in temperature                 |                                                                                                                                          | -4   | 0    | +4    | °C   |
| Battery level indicator and brown-out reset (BOR) |                                      |                                                                                                                                          |      |      |       |      |
| VBLTRANGE                                         | Battery level indicator range        |                                                                                                                                          | 1.8  |      | 3.6   | V    |
| VBLTERR                                           | Battery level indicator error        | After calibration                                                                                                                        | -150 |      | 150   | mV   |
| VABLT1                                            | Ascending battery level threshold 1  |                                                                                                                                          | 2.56 | 2.72 | 2.88  | V    |
| VDBLT1                                            | Descending battery level threshold 1 |                                                                                                                                          | 2.48 | 2.64 | 2.80  |      |
| VABLT2                                            | Ascending battery level threshold 2  |                                                                                                                                          | 2.37 | 2.52 | 2.67  | V    |
| VDBLT2                                            | Descending battery level threshold 2 |                                                                                                                                          | 2.30 | 2.45 | 2.60  |      |
| VABLT3                                            | Ascending battery level threshold 3  |                                                                                                                                          | 2.20 | 2.32 | 2.475 | V    |

| Symbol | Parameter                            | Test conditions | Min.  | Typ. | Max.  | Unit |
|--------|--------------------------------------|-----------------|-------|------|-------|------|
| VDBLT3 | Descending battery level threshold 3 |                 | 2.125 | 2.25 | 2.40  |      |
| VABLT4 | Ascending battery level threshold 4  |                 | 2.0   | 2.11 | 2.25  | V    |
| VDBLT4 | Descending battery level threshold 4 |                 | 1.925 | 2.05 | 2.175 |      |
| VABOR  | Ascending brown-out threshold        |                 | –     | 1.79 | –     | V    |
| VDBOR  | Descending brown-out threshold       |                 | –     | 1.73 | –     | V    |

## 10 Package information

In order to meet environmental requirements, ST offers these devices in different grades of ECOPACK® packages, depending on their level of environmental compliance. ECOPACK® specifications, grade definitions and product status are available at: [www.st.com](http://www.st.com). ECOPACK® is an ST trademark.

# 10.1 QFN32 package information

Figure 29: QFN32 (5 x 5 x 1 pitch 0.5 mm) package outline

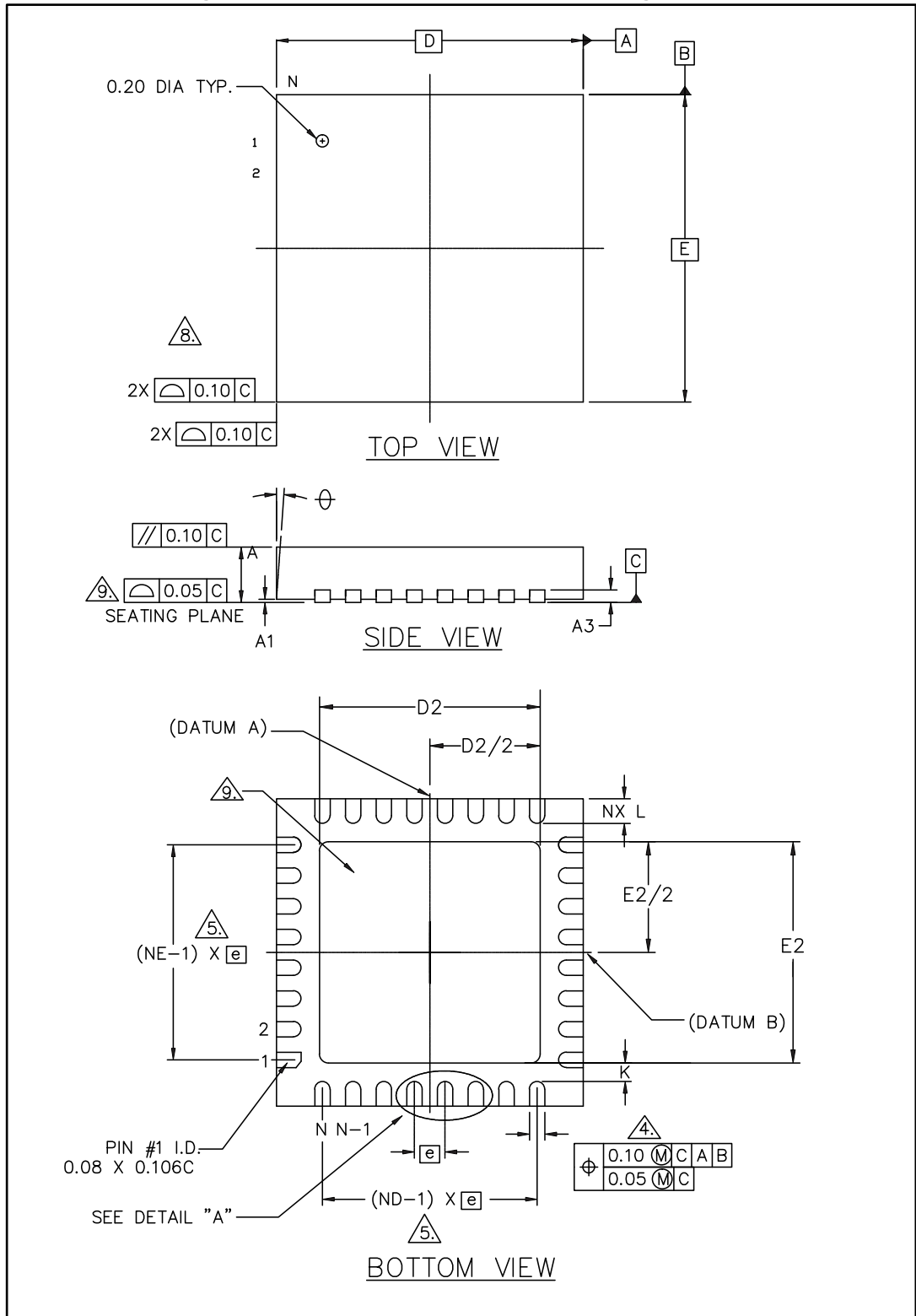
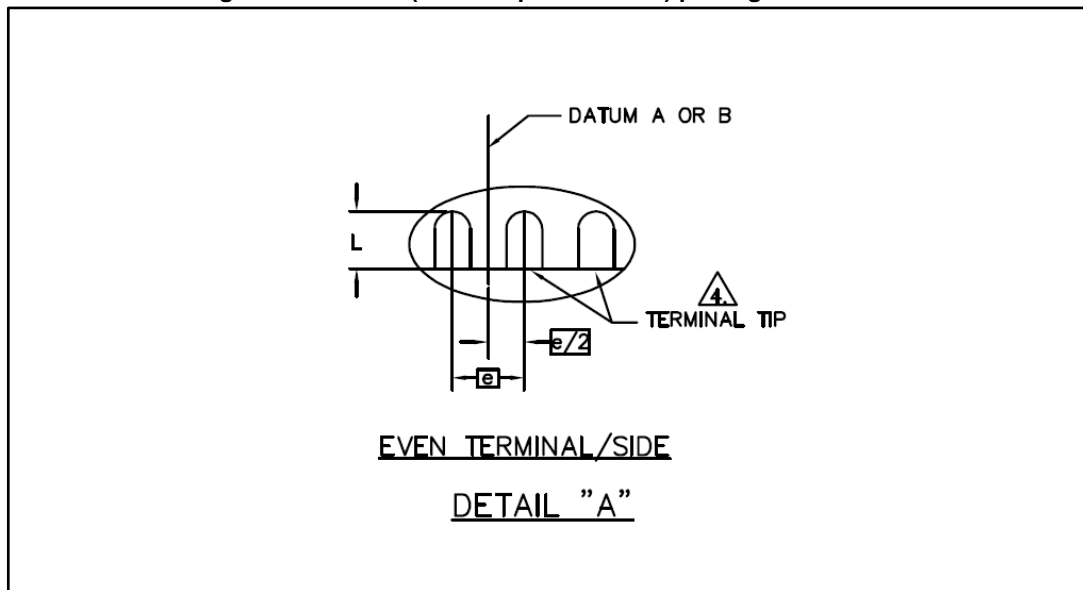


Table 216: QFN32 (5 x 5 x 1 pitch 0.5 mm) mechanical data

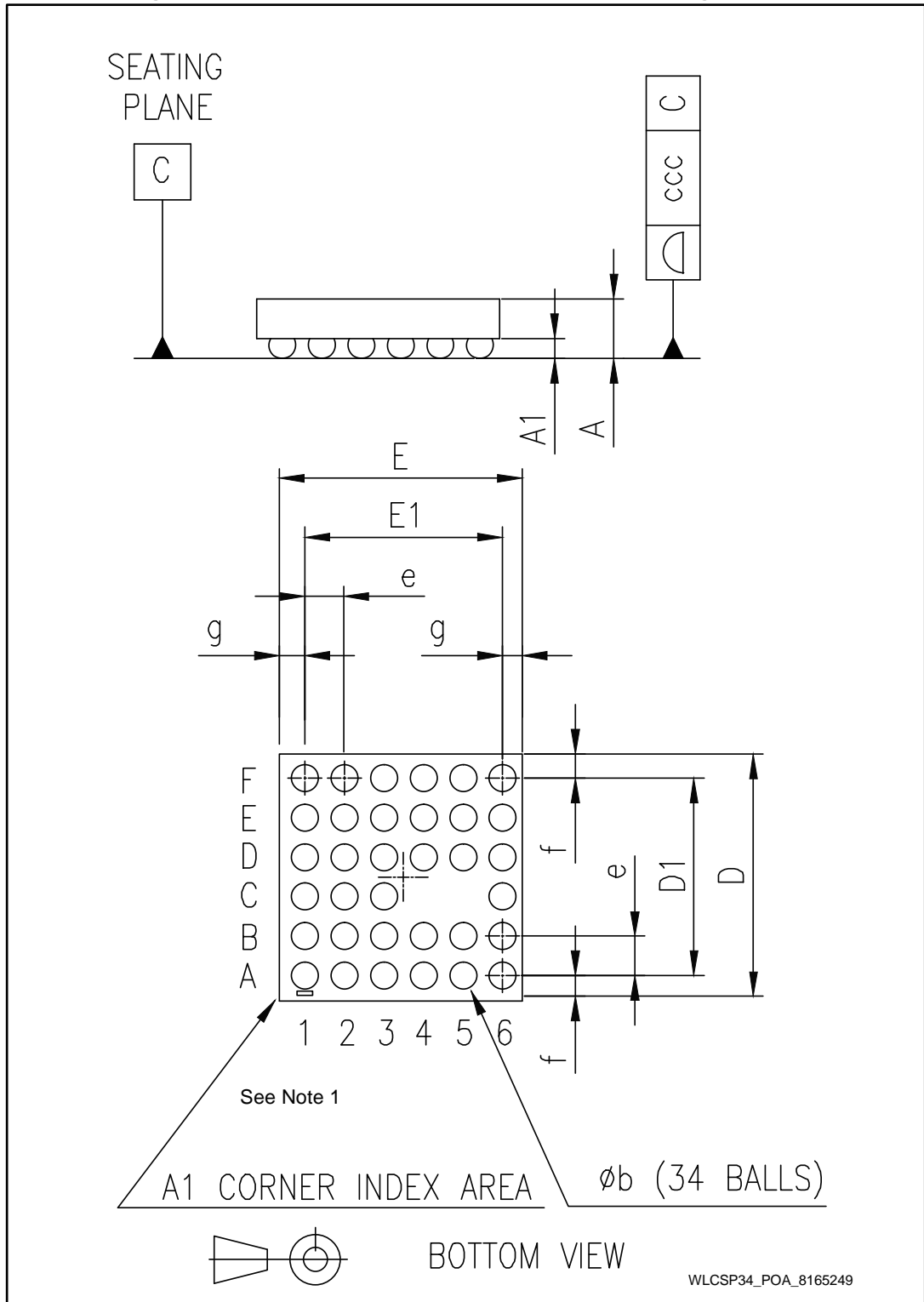
| Dim.   | mm       |      |      |
|--------|----------|------|------|
|        | Min.     | Typ. | Max. |
| A      | 0.80     | 0.85 | 1.00 |
| A1     | 0        | 0.02 | 0.05 |
| A3     | 0.20 REF |      |      |
| b      | 0.25     | 0.25 | 0.30 |
| D      | 5.00 BSC |      |      |
| E      | 5.00 BSC |      |      |
| D2     | 3.2      |      | 3.70 |
| E2     | 3.2      |      | 3.70 |
| e      | 0.5 BSC  |      |      |
| L      | 0.30     | 0.40 | 0.50 |
| $\Phi$ | 0°       |      | 14°  |
| K      | 0.20     |      |      |

Figure 30: QFN32 (5 x 5 x 1 pitch 0.5 mm) package detail "A"



### 10.2 WLCSP34 package information

Figure 31: WLCSP34 (2.66 x 2.56 x 0.5 pitch 0.4 mm) package outline



1. The corner of terminal A1 must be identified on the top surface by using a laser marking dot.



Table 217: WLCSP34 (2.66 x 2.56 x 0.5 pitch 0.4 mm) mechanical data

| Dim. | mm.  |      |      | Notes |
|------|------|------|------|-------|
|      | Min. | Typ. | Max. |       |
| A    |      |      | 0.50 |       |
| A1   |      | 0.20 |      |       |
| b    |      | 0.27 |      | (1)   |
| D    | 2.50 | 2.56 | 2.58 | (2)   |
| D1   |      | 2.00 |      |       |
| E    | 2.60 | 2.66 | 2.68 | (3)   |
| E1   |      | 2.00 |      |       |
| e    |      | 0.40 |      |       |
| f    |      | 0.28 |      |       |
| g    |      | 0.33 |      |       |
| ccc  |      |      | 0.05 |       |

**Notes:**

(1)The typical ball diameter before mounting is 0.25 mm.

(2) $D = f + D1 + f$ .

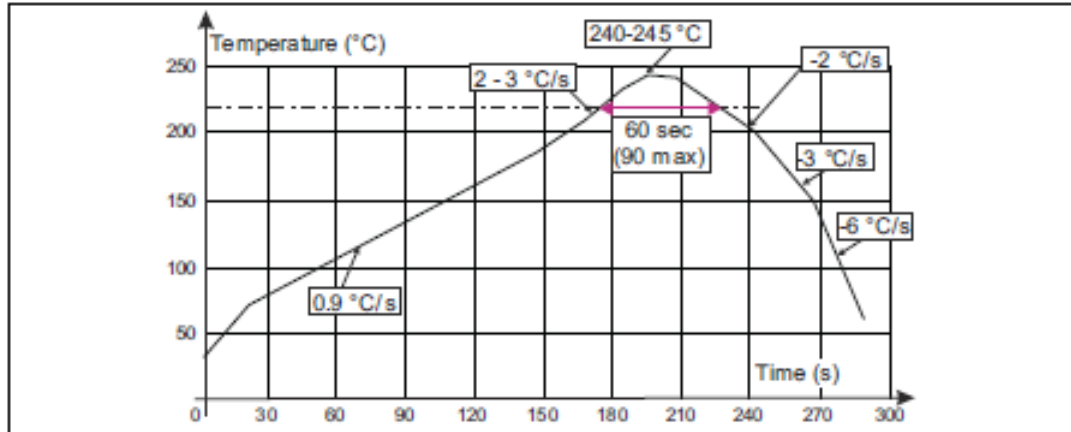
(3) $E = g + E1 + g$ .

# 11 PCB assembly guidelines

For Flip Chip mounting on the PCB, STMicroelectronics recommends the use of a solder stencil aperture of 330 x 330 µm maximum and a typical stencil thickness of 125 µm.

Flip Chips are fully compatible with the use of near eutectic 95.8% Sn, 3.5% Ag, 0.7% Cu solder paste with no-clean flux. ST's recommendations for Flip-Chip board mounting are illustrated on the soldering reflow profile shown in [Figure 32: "Flip Chip CSP \(2.71 x 2.58 x 0.5 pitch 0.4 mm\) package reflow profile recommendation"](#).

**Figure 32: Flip Chip CSP (2.71 x 2.58 x 0.5 pitch 0.4 mm) package reflow profile recommendation**



**Table 218: Flip Chip CSP (2.71 x 2.58 x 0.5 pitch 0.4 mm) package reflow profile recommendation**

| Profile                                       | Value         |         |
|-----------------------------------------------|---------------|---------|
|                                               | Typ.          | Max.    |
| Temp. gradient in preheat (T = 70 - 180 °C/s) | 0.9 °C/s      | 3 °C/s  |
| Temp. gradient (T = 200 - 225 °C)             | 2 °C/s        | 3 °C/s  |
| Peak temp. in reflow                          | 240 - 245 °C  | 260 °C  |
| Time above 200 °C                             | 60 s          | 90 s    |
| Temp. gradient in cooling                     | -2 to -3 °C   | -6 °C/s |
| Time from 50 to 220 °C                        | 160 to 220 °C |         |

Dwell time in the soldering zone (with temperature higher than 220 °C) has to be kept as short as possible to prevent component and substrate damage. Peak temperature must not exceed 260 °C. Controlled atmosphere (N2 or N2H2) is recommended during the whole reflow, especially above 150 °C.

Flip Chips are able to withstand three times the previous recommended reflow profile to be compatible with a double reflow when SMDs are mounted on both sides of the PCB plus one additional repair.

A maximum of three soldering reflows are allowed for these lead-free packages (with repair step included).

The use of a no-clean paste is highly recommended to avoid any cleaning operation. To prevent any bump cracks, ultrasonic cleaning methods are not recommended.

## 12 Ordering information

Table 219: Ordering information

| Order code  | Package        | Packing       |
|-------------|----------------|---------------|
| BlueNRG-132 | QFN32 (5x5 mm) | Tape and reel |
| BlueNRG-134 | WLCSP34        |               |

## 13 Revision history

**Table 220: Document revision history**

| Date        | Version | Changes                                                                                                                                                                                                                                                                                                                                                                                                                                                                                                                                                                                                                                                                                                                                                                                                                                                                                                                                                                                                                                                                                                                                                                                                                                                                                                                                                                                                                                                                                                                                                                                                                                                                                                                                                                                                                      |
|-------------|---------|------------------------------------------------------------------------------------------------------------------------------------------------------------------------------------------------------------------------------------------------------------------------------------------------------------------------------------------------------------------------------------------------------------------------------------------------------------------------------------------------------------------------------------------------------------------------------------------------------------------------------------------------------------------------------------------------------------------------------------------------------------------------------------------------------------------------------------------------------------------------------------------------------------------------------------------------------------------------------------------------------------------------------------------------------------------------------------------------------------------------------------------------------------------------------------------------------------------------------------------------------------------------------------------------------------------------------------------------------------------------------------------------------------------------------------------------------------------------------------------------------------------------------------------------------------------------------------------------------------------------------------------------------------------------------------------------------------------------------------------------------------------------------------------------------------------------------|
| 23-Jun-2016 | 1       | Initial release.                                                                                                                                                                                                                                                                                                                                                                                                                                                                                                                                                                                                                                                                                                                                                                                                                                                                                                                                                                                                                                                                                                                                                                                                                                                                                                                                                                                                                                                                                                                                                                                                                                                                                                                                                                                                             |
| 13-Feb-2017 | 2       | <p>Updated <i>Section 3.4.1.3: "Standby state"</i> and <i>Section 3.4.1.4: "Sleep state"</i>.</p> <p>Modified BLUE_CTRL_BASE_ADDR as 0x48000000.</p> <p>Updated <i>Figure 5: "Clock tree"</i>.</p> <p>Updated <i>Section 3.5.1: "Reset management"</i>.</p> <p>Added <i>Section 3.5.1.2: "Power-on-sequence"</i>.</p> <p>Updated <i>Table 13: "CKGEN_SOC - DIE_ID register description: address offset CKGEN_SOC_BASE_ADDR+0x1C"</i>.</p> <p>ADC section: updated <i>Section 3.6.1: "Introduction"</i>, <i>Table 22: "ADC channels"</i>, <i>Table 22: "ADC channels"</i>, <i>Table 23: "ADC data rate"</i>, <i>Section 3.6.2.3: "ADC conversion"</i>, <i>Table 26: "ADC registers"</i>, <i>Table 28: "ADC - CONF register description: address offset ADC_BASE_ADDR+0x04"</i>, <i>Table 31: ADC - DATA_CONV register description: address offset ADC_BASE_ADDR+0x16</i>. Added <i>Table 24: "ADC parameters settings"</i>.</p> <p>SPI section: <i>Section 3.8.2: "Functional overview"</i>, <i>Table 47: "SPI_OUT endianness" title</i>, <i>Table 48: "SPI_IN endianness"</i> and <i>Section 3.8.2.12: "SPI Master communication mode"</i>.</p> <p>Updated <i>Section 3.11.2: "Flash controller functional description"</i>.</p> <p>GPIO section: updated <i>Table 128: "IO functional map"</i>, <i>Section 3.12.2.2: "GPIO characteristics"</i>, <i>Table 130: "Pin characteristics"</i>, <i>Table 132: "GPIO registers"</i>, <i>Table 143: "GPIO - MODE0 register description: address offset GPIO_BASE_ADDR+0x2C"</i>.</p> <p>Updated <i>Section 3.19: "TX/RX event alert"</i> and <i>Section 3.20: "SWD debug feature"</i>.</p> <p>Updated <i>Table 197: "Pinout description"</i>.</p> <p>Added <i>Table 204: "Digital I/O specifications"</i>.</p> <p>Updated <i>Table 214: "Auxiliary blocks characteristics"</i>.</p> |

| Date        | Version | Changes                                                                                                                                                                                                                                                                                                                                                                                                                                                                                                                                                                                                                                                                                                                                                                                                                                                                                                                                                                                                                                                                                                                                                                                                                                                                                                                                                                                                                                                                                                                                                                                                                                                                                                                                                                                                                                                                                                                                                                                                                                                                                                                                                                                                                                                                                                                                                                                                                                                                                                                                                                                |
|-------------|---------|----------------------------------------------------------------------------------------------------------------------------------------------------------------------------------------------------------------------------------------------------------------------------------------------------------------------------------------------------------------------------------------------------------------------------------------------------------------------------------------------------------------------------------------------------------------------------------------------------------------------------------------------------------------------------------------------------------------------------------------------------------------------------------------------------------------------------------------------------------------------------------------------------------------------------------------------------------------------------------------------------------------------------------------------------------------------------------------------------------------------------------------------------------------------------------------------------------------------------------------------------------------------------------------------------------------------------------------------------------------------------------------------------------------------------------------------------------------------------------------------------------------------------------------------------------------------------------------------------------------------------------------------------------------------------------------------------------------------------------------------------------------------------------------------------------------------------------------------------------------------------------------------------------------------------------------------------------------------------------------------------------------------------------------------------------------------------------------------------------------------------------------------------------------------------------------------------------------------------------------------------------------------------------------------------------------------------------------------------------------------------------------------------------------------------------------------------------------------------------------------------------------------------------------------------------------------------------------|
| 05-May-2017 | 3       | <p>Minor text and formatting changes throughout document.</p> <p>Figure 1: "BlueNRG-1 architecture"</p> <p>Updated Table 2: "BlueNRG-1 interrupt vectors" Added Section 3.4.1.5: "IO wake up sources"</p> <p>Added Section 3.4.1.6: "Wake up times"</p> <p>In Section 3.5: "Clocks and reset management"</p> <ul style="list-style-type: none"> <li>- added PKA to list of clocks</li> </ul> <p>In Section 3.5.1.2: "Power-on-sequence" - updated content</p> <ul style="list-style-type: none"> <li>- added Figure 8: "BlueNRG-1 power-up sequence"</li> </ul> <p>Updated Table 14: "CKGEN_SOC - CLOCK_EN register description: address offset CKGEN_SOC_BASE_ADDR+0x20"</p> <p>Updated Table 20: "CKGEN_BLE - CLK32K_FREQ register description: address offset CKGEN_BLE_BASE_ADDR+0x14" SLOW_FREQ field Description</p> <p>In Section 3.6.2.1: "ADC start conversion"</p> <ul style="list-style-type: none"> <li>- added note</li> </ul> <p>In Section 3.6.2.3: "ADC conversion"</p> <ul style="list-style-type: none"> <li>- added new equation for Single ended mode Updated Table 26: "ADC registers"</li> </ul> <p>Added Table 46: "SPI pin assignments"</p> <p>Added Section 3.8.2.13: "SPI Master communication mode for National Semiconductor Microwire standard"</p> <p>Updated Table 51: "SPI - CR0 register description: address offset SPI_BASE_ADDR+0x00" Updated Table 52: "SPI - CR1 register description: address offset SPI_BASE_ADDR+0x04"</p> <p>Section 3.9.3: "UART registers"</p> <p>Updated Table 75: "UART - TIMEOUT register description: address offset UART_BASE_ADDR+0x0C"</p> <p>Updated Table 98: "I2C - SR register description: address offset I2CX_BASE_ADDR+0x14"</p> <p>Updated Table 105: "I2C - RISR register description: address offset I2CX_BASE_ADDR+0x30"</p> <p>Updated Table 106: "I2C - MISR register description: address offset I2CX_BASE_ADDR+0x34"</p> <p>Updated Table 107: "I2C - ICR register description: address offset I2CX_BASE_ADDR+0x38"</p> <p>Updated Table 112: "Flash interface timing" Updated Table 129: "IO functional map"</p> <p>Added Section 3.19: "Public Key Accelerator (PKA)"</p> <p>Added Section 3.24: "Unique device serial number"</p> <p>Updated Table 204: "Memory mapping" AHB peripheral mapping</p> <p>Updated Table 211: "Peripheral current consumption"</p> <p>In Section 9.10: "Auxiliary blocks characteristics"</p> <ul style="list-style-type: none"> <li>- changed frequency condition for all typical values</li> <li>- updated Table 220: "Auxiliary blocks characteristics"</li> </ul> |

| Date        | Version | Changes                                                                                                                                                                                                                                                                                                                                                                                                                                                                                                                                                                                                                                                                                                                                                  |
|-------------|---------|----------------------------------------------------------------------------------------------------------------------------------------------------------------------------------------------------------------------------------------------------------------------------------------------------------------------------------------------------------------------------------------------------------------------------------------------------------------------------------------------------------------------------------------------------------------------------------------------------------------------------------------------------------------------------------------------------------------------------------------------------------|
| 22-Nov-2017 | 4       | <p>Updated features in cover page.</p> <p>Added note at the end of <i>Section 3.5.4: "Clock and reset registers"</i>, <i>Section 3.6.3: "ADC registers"</i>, <i>Section 3.8.3: "SPI registers"</i>, <i>Section 3.7.3: "DMA registers"</i>, <i>Section 3.9.3: "UART registers"</i>, <i>Section 3.10.3: "I<sup>2</sup>C registers"</i>, <i>Section 3.11.3: "Flash controller registers"</i>, <i>Section 3.12.3: "GPIO registers"</i>, <i>Section 3.13.3: "MFT registers"</i>, <i>Section 3.14.3: "Watchdog registers"</i>, <i>Section 3.15.3: "RTC registers"</i>, <i>Section 3.16.3: "RNG registers"</i>.</p> <p>Updated <i>Figure 10: "ADC block diagram"</i> and <i>Figure 21: "BlueNRG-1 pin-out top view (QFN32)"</i>.</p> <p>Minor text changes.</p> |
| 01-Dec-2017 | 5       | Updated <a href="#">Section 3.11.1: "Flash controller introduction"</a> .                                                                                                                                                                                                                                                                                                                                                                                                                                                                                                                                                                                                                                                                                |

**IMPORTANT NOTICE – PLEASE READ CAREFULLY**

STMicroelectronics NV and its subsidiaries ("ST") reserve the right to make changes, corrections, enhancements, modifications, and improvements to ST products and/or to this document at any time without notice. Purchasers should obtain the latest relevant information on ST products before placing orders. ST products are sold pursuant to ST's terms and conditions of sale in place at the time of order acknowledgement.

Purchasers are solely responsible for the choice, selection, and use of ST products and ST assumes no liability for application assistance or the design of Purchasers' products.

No license, express or implied, to any intellectual property right is granted by ST herein.

Resale of ST products with provisions different from the information set forth herein shall void any warranty granted by ST for such product.

ST and the ST logo are trademarks of ST. All other product or service names are the property of their respective owners.

Information in this document supersedes and replaces information previously supplied in any prior versions of this document.

© 2017 STMicroelectronics – All rights reserved