

# MISCELLANEOUS

## ADAPTORS

### • BNC / 4 mm dia. BANANA ADAPTORS

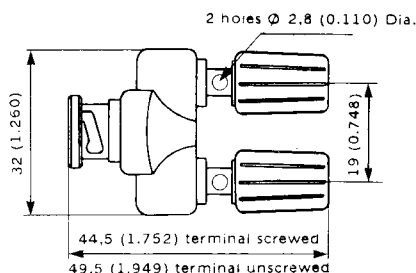
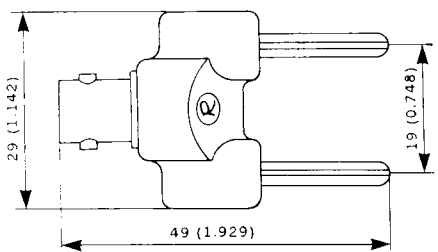
These adaptors are designed to uncouple electric signals from input and output terminals of a measuring device fitted with male or female BNC fixed connectors.

#### CHARACTERISTICS

- Dielectric withstanding voltage : 2 500 V rms – 50 Hz
- Insulation resistance :  $10^5 \text{ M}\Omega$

Electrical termination centre contact : red terminal  
ground terminal : black terminal

► Packaging individually.

Part number	Description	Dimensions
R 191 453	BNC male / 2 – 4 mm dia. sockets adaptor	
R 191 455	BNC female / 2 – 4 mm dia. plugs adaptor	

#### CHARACTERISTICS

- Dielectric withstanding voltage : 750 V rms – 50 Hz
- Insulation resistance :  $\geq 5\ 000 \text{ M}\Omega$

Part number	Description	Dimensions
R 191 454	BNC male / 1 – 4 mm dia. socket adaptor	