

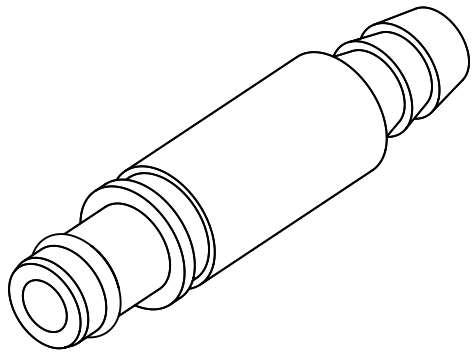
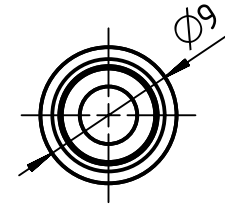
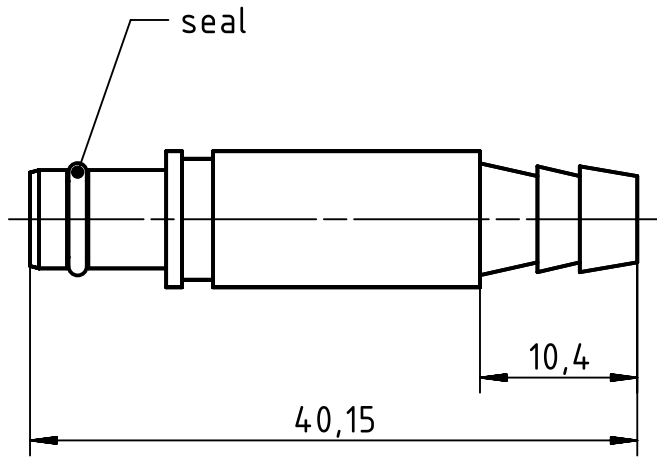
1 2 3 4 5 6

A

B

C

D



| | | | | | | |
|---|--|--|---|--------------------------|----------------------------|--|
| | All Dimensions in mm Original Size DIN A4 | | Scale 2:1 | Free size tol. | | Ref. |
| | | | | | | Sub. |
| | All rights reserved | | Created by MOELLERLI | Inspected by BEISCHER | Standardisation RUETERA | Date 2018-05-16 |
| | Department EL PD | | | | | State Final Release |
| HARTING Electric GmbH & Co. KG D-32339 Espelkamp | | | Title Pneum. contact metal ID 6 male | | | Doc-Key / ECM-Nr. 100654517/UGD/001/D 500000133860 |
| | | | Type TB | Number 09 14 000 6306 | | Rev. D Page 1/1 |