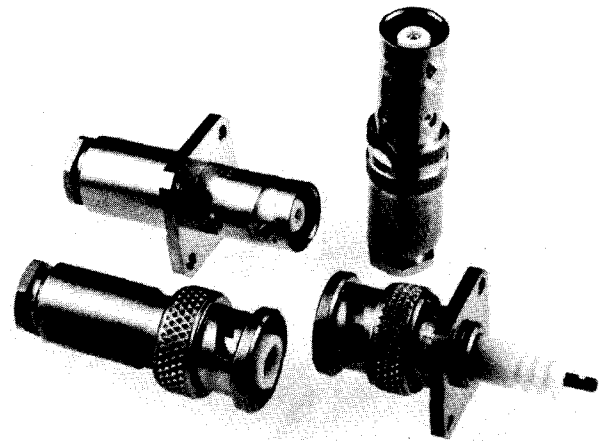


HIGH VOLTAGE COAXIAL CONNECTORS

BNC.HT series

R 316 ...



GENERAL CHARACTERISTICS

The connectors of this series are not intermateable with those of the BNC and SHV series.
2 pip bayonet coupling.

Materials : contacts and interfaces : brass and heat treated beryllium copper
 other metal parts : brass
 insulators : P.T.F.E. (styles R 316 780 and R 316 770, insulator polyethylene)
 gaskets : silicone rubber (styles R 316 780 and R 316 770, neoprene rubber)
 plating : NSR nickel - centre contacts, gold

ELECTRICAL CHARACTERISTICS

Test voltage : unmated connectors : male : 6 000 V D.C.
 female : 8 000 V D.C.
 mated pair : 10 000 V D.C.
 Impedance : 50 Ω
 Frequency range : 0 - 2 GHz
 V.S.W.R. : 1.20 +0.2 F (GHz) (plug and jack)
 Current rating : 10 A

MECHANICAL AND ENVIRONMENTAL CHARACTERISTICS

Life : 500 mating
 Vibration : 20 g - 2 000 Hz
 Shock : 50 g
 Salt spray : 48 H
 Temperature range : - 55°C + 155°C (except styles with polyethylene insulator) :
 - 40°C + 70°C

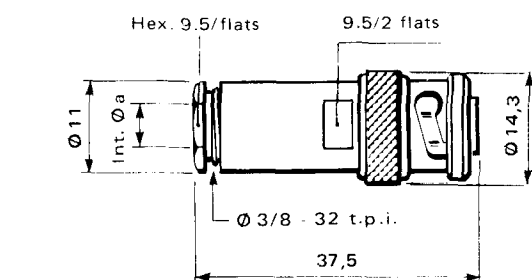
COAXIAL CABLES SUITABLE

5/50 Ω	6/75 Ω
RG. 58 C/U	RG. 59 B/U
RG. 141 A/U	RG. 140/U
RG. 142 B/U	URM 70
RG. 223/U	URM 90
RG. 303/U	KX. 6 A
RG. 400/U	KX. 25
URM 43	KX. 52
URM 72	KX. 53
URM 76	
URM 108	
URM 301	

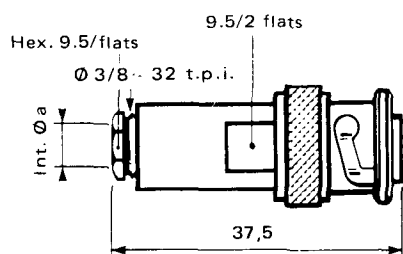
BNC.HT series

CODE No.	STYLE	Cable Group Ω	max. \varnothing_a	Assembly code	Panel piercing	Weight (g)
----------	-------	-------------------------	-------------------------	---------------	----------------	------------

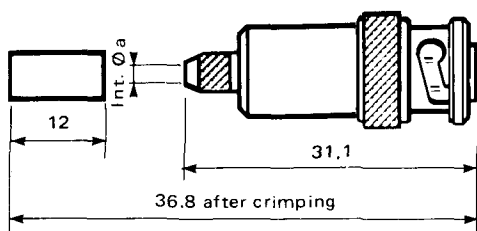
STRAIGHT PLUGS



R 316 004	Cable clamp	2,6/50	3	(not shown)		20
R 316 007	Cable clamp	5/50	5,4	K13-67		20
R 316 011	Cable clamp <i>Interchangeable with UG932/U</i>	6/75	6,5	K13-67		19

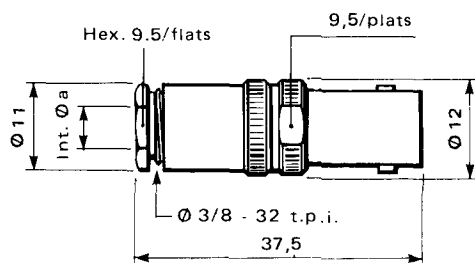


R 316 015*	Cable clamp	Filotex 17950	6,5	K13-67		19
------------	-------------	------------------	-----	--------	--	----



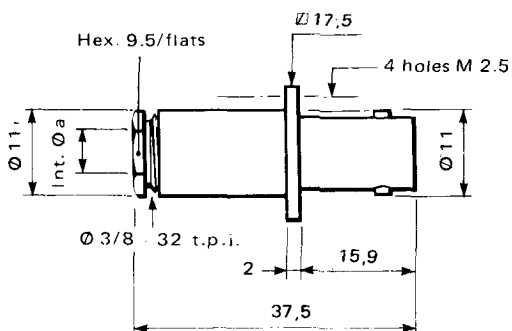
R 316 072	Crimp	RG. 58C/U KX.15 S.SCR.	3,2			15
-----------	-------	---------------------------------	-----	--	--	----

STRAIGHT JACKS



R 316 207	Cable clamp	5/50	5,4	K13-67		16
-----------	-------------	------	-----	--------	--	----

R 316 211	Cable clamp	6/75	6,5	K13-67		15
-----------	-------------	------	-----	--------	--	----



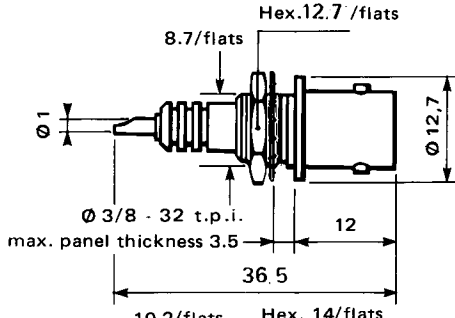
R 316 257	Square flange - cable clamp	5/50	5,4	K13-67	a 14	17,5
-----------	-----------------------------	------	-----	--------	------	------

R 316 261	Square flange - cable clamp	6/75	6,5	K13-67	a14	18,5
-----------	-----------------------------	------	-----	--------	-----	------

BNC.HT series

CODE No.	STYLE	Cable Group Ω	Assembly code	Panel Piercing	Weight (g)
----------	-------	-------------------------	---------------	----------------	------------

RECEPTACLES

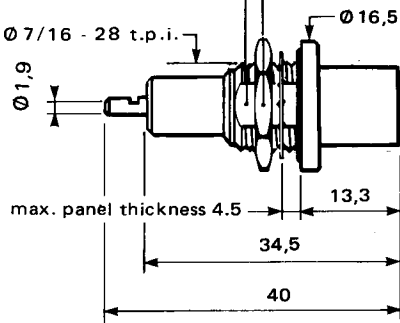


R 316 553

Bulkhead mounting

d 28

8,5



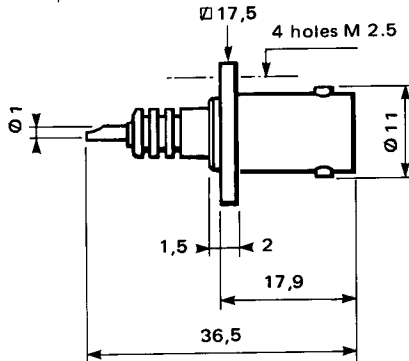
R 316 603

Bulkhead mounting
panel seal

- Watertight : $-40^{\circ}\text{C} + 70^{\circ}\text{C}$
- at pressure : 3.5 bar max.

d 29

15

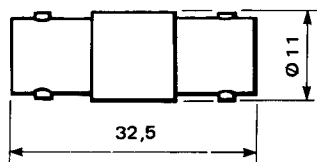


R 316 405

Square flange mounting
Interchangeable
with UG. 931/U

a 14

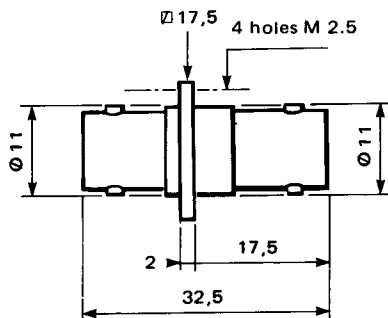
10



R 316 704

Straight
female - female

11



R 316 714

Square flange
female - female

a 14

19

ADAPTORS