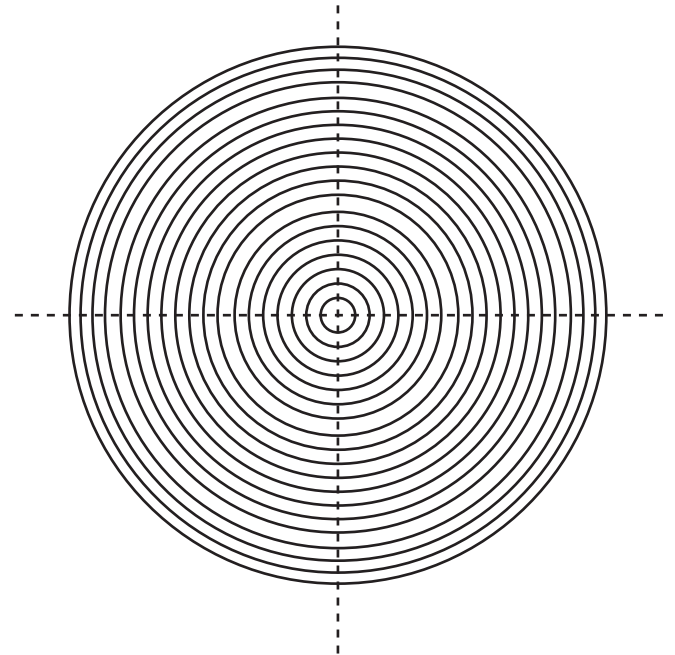
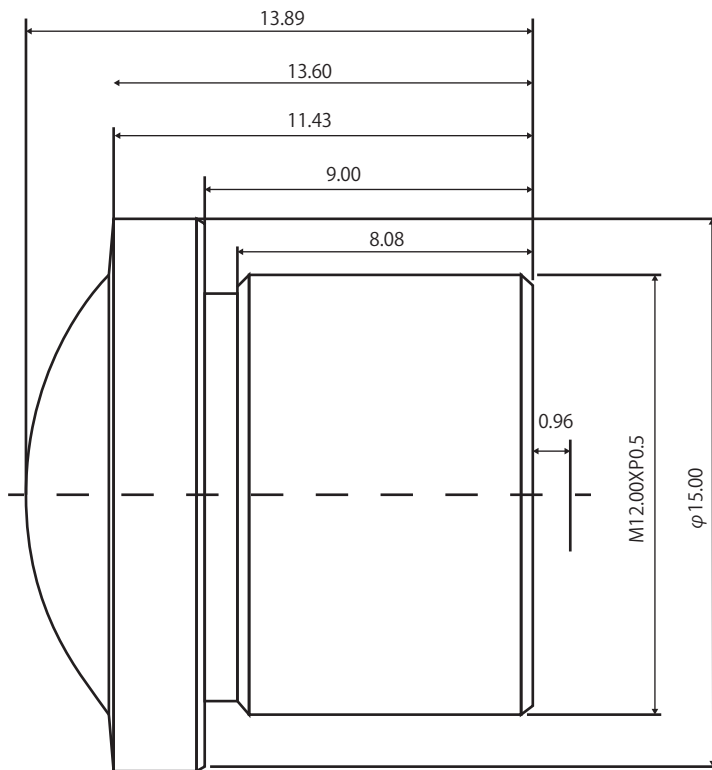


Entaniya Raspberry Pi RP-L195



Specification

Image Circle Size	φ 2.96mm
Focal Length	0.92mm
FOV	195°
F number	2.3
Back Focal length	0.96mm
Mount	M12 x P0.5
Lens Configuration	8 glasses

Image Hight

degree	image hight	degree	image hight
5.85	0.09364043	55.57	0.88130259
10.725	0.17163529	60.45	0.95663207
15.6	0.24956132	65.325	1.03125315
20.475	0.32738659	70.2	1.10495293
25.35	0.40507813	75.075	1.17742504
30.225	0.48260134	80.925	1.26213406
35.1	0.55991883	90.675	1.39457743
40.95	0.65236896	95.55	1.45439054
45.825	0.72907664	97.5	1.47665897
50.7	0.80541471		

1/3" sensor

