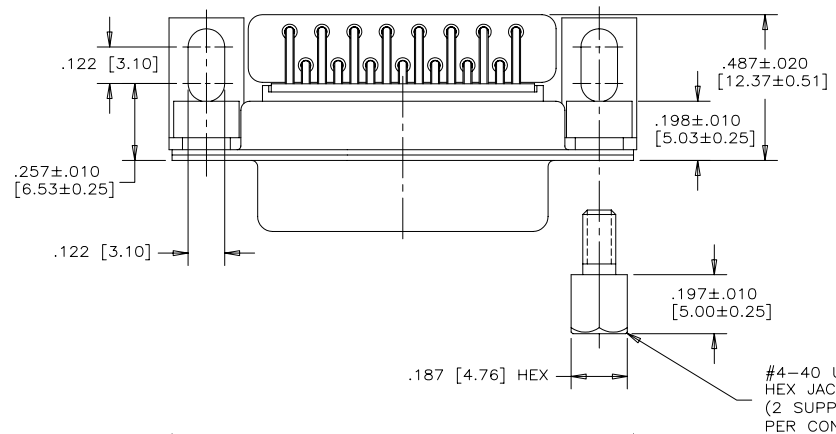


REVISIONS			
REV	ECN, ERN NO.	DATE	APPRD.
A	PROPOSAL DRAWING (EAR 13019)	JAN23/07	K.L.



ORDERING CODE: F C E 1 7 - A 1 5 S A - E E 1

SERIES
FCE17=FILTERED D-SUB, RoHS

SIZE/NUMBER OF CONTACTS
A15=A SIZE SHELL, 15 CONTACTS

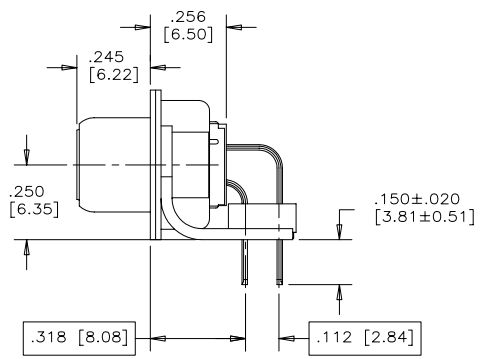
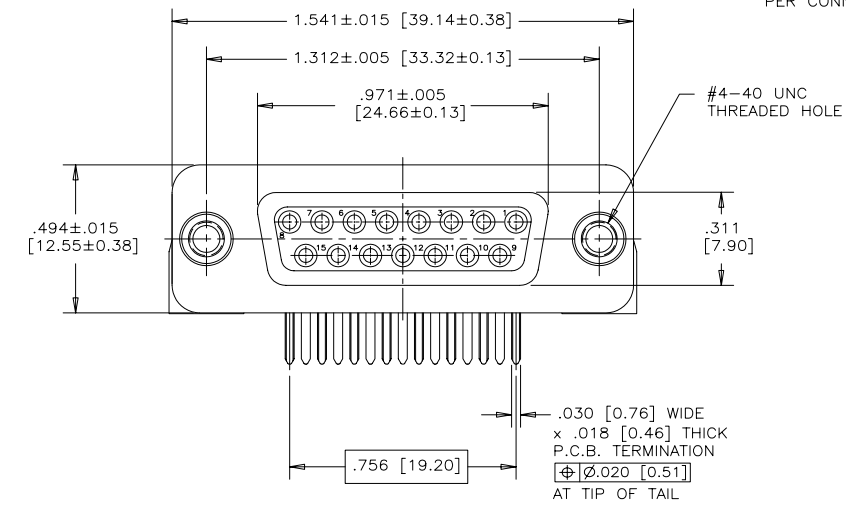
CONNECTOR STYLE
S=SOCKET

TERMINATION TYPE
A=.318" [8.08] FOOTPRINT

MODIFIER
1=SPECIAL 2500 pF CAPACITORS FOR 1000 VDC DWV CAPABILITY, WITH METAL MOUNTING BRACKETS

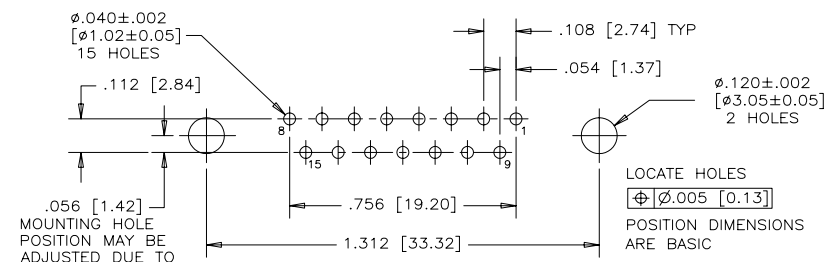
FILTER CAPACITANCE
E=2500 pF
REFER TO AMPHENOL CATALOGUE FOR FILTER PERFORMANCE CHARACTERISTICS

MOUNTING
E=#4-40 THREAD ON FLANGE WITH #4-40 HEX JACK SOCKETS SUPPLIED



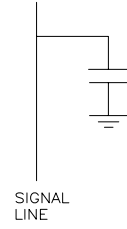
NOTES:

- MATERIALS: ALL MATERIALS ARE RoHS COMPLIANT.
 - SHELL: STEEL, TIN PLATED
 - CONTACTS: PHOSPHOR BRONZE, PLATED WITH 15μ" [0.38 MICRONS] GOLD OVER 50μ" [1.27 MICRONS] MINIMUM NICKEL IN THE MATING AREA AND 100μ" [2.54 MICRONS] MINIMUM MATTE TIN ON THE TAILS.
 - INSULATOR: ENGINEERING THERMOPLASTIC, GLASS REINFORCED, UL FLAMMABILITY RATING 94V-0, COLOUR: BLACK
 - MOUNTING HARDWARE, STEEL OR COPPER ALLOY, TIN OR NICKEL PLATED.
- CONTACT RESISTANCE: 15 MILLIOHMS MAXIMUM
- INSULATION RESISTANCE: 3000 MEGOHMS MINIMUM
- CURRENT RATING: 5 AMPS MAXIMUM
- CAPACITANCE: 2500 pF ±15%
- DIELECTRIC WITHSTANDING VOLTAGE: 1000 VDC
- OPERATING TEMPERATURE: -40°C TO 85°C
- TOLERANCE UNLESS INDICATED OTHERWISE: ±.005 [0.13]



RECOMMENDED P.C.B. LAYOUT
(COMPONENT SIDE OF BOARD)

CAPACITANCE SCHEMATIC FOR EACH POSITION



DRAWN K. LAMBIE	DATE JAN23/07
DESIGNED	
CHECKED	
I. E. APPRD.	
Q. A. APPRD.	
DWG. APPRD.	
ENG. REL. NO.	
REF. EAR #13019	
DIMENSIONS ARE IN INCHES [mm]	CODE ID. NO. 03554

Amphenol Canada Corp.	
FCE17 SERIES FILTERED D-SUB CONNECTOR, 15 SIZE SOCKET, RIGHT ANGLE .318" [8.08] F/P, JACK SOCKETS, METAL BRACKETS, SPECIAL 2500pF CAPACITANCE, 1000 VDC DWV, RoHS COMPLIANT	
DWG C	DRAWING NO. P-FCE17-A15SA-EE1
REV. A	
SCALE 3/1	WT. ----- SURF. ----- SHEET 1 of 1

THIS DOCUMENT CONTAINS PROPRIETARY INFORMATION AND SUCH INFORMATION MAY NOT BE DISCLOSED TO OTHERS FOR ANY PURPOSE OR USED FOR MANUFACTURING PURPOSES WITHOUT WRITTEN PERMISSION FROM AMPHENOL CANADA CORP.

Mouser Electronics

Authorized Distributor

Click to View Pricing, Inventory, Delivery & Lifecycle Information:

Amphenol:

[FCE17-C37PA-410](#) [FCE17-C37SA-410](#) [FCE17E09PAE10](#) [FCE17-A15SA-440](#) [FCE17-C37SA-440](#) [FCE17-E09PA-440](#) [FCE17-B25SA-410](#) [FCE17-A15PA-490](#) [FCE17-B25SA-490](#) [FCE17-E09PA-490](#) [FCE17-E09PM-490](#) [FCE17-A15SA-450](#) [FCE17-A15SM-210](#) [FCE17-B25PA-440](#) [FCE17-E09PA-410](#) [FCE17-C37PA-440](#) [FCE17-E09SA-440](#) [FCE17-A15PM-210](#) [FCE17-E09PM-240](#) [FCE17-B25PA-490](#) [FCE17-E09SA-450](#) [FCE17-E09SA-490](#) [FCE17-B25SA-440](#) [FCE17-E09SA-410](#) [FCE17-A15PA-440](#) [FCE17-C37PA-490](#) [FCE17-A15SA-EE1](#) [FCE17B25SA25B](#) [FCE17E09PA21B](#) [FCE17A15SA280](#) [FCE17A15PA6D0](#) [FCE17E09PA480](#) [FCE17B25SA280](#) [FCE17E09SA6D0](#) [FCE17C37SA60B](#) [FCE17E09SA210](#) [FCE17C37PA6E0](#) [FCE17C37PA600](#) [FCE17E09PA200](#) [FCE17E09PA6EB](#) [FCE17E09SA65B](#) [FCE17C37PA49B](#) [FCE17A15SA4EB](#) [FCE17B25PA48B](#) [FCE17A15PA690](#) [FCE17E09SA29B](#) [FCE17A15SA29B](#) [FCE17A15PA2DB](#) [FCE17C37PA24B](#) [FCE17C37PA61B](#) [FCE17E09PA44B](#) [FCE17A15PA480](#) [FCE17A15PA44B](#) [FCE17C37PA60B](#) [FCE17B25PA21B](#) [FCE17C37SA20B](#) [FCE17C37SA45B](#) [FCE17C37SA480](#) [FCE17A15SA4D0](#) [FCE17E09PA210](#) [FCE17B25SA64B](#) [FCE17E09SA6EB](#) [FCE17B25PA650](#) [FCE17C37SA2EB](#) [FCE17C37SA610](#) [FCE17C37SA25B](#) [FCE17C37PA6EB](#) [FCE17B25PA450](#) [FCE17A15PA4D0](#) [FCE17B25SA450](#) [FCE17B25SA240](#) [FCE17A15PA280](#) [FCE17B25PA2DB](#) [FCE17B25PA680](#) [FCE17B25SA610](#) [FCE17A15PA610](#) [FCE17A15PA25B](#) [FCE17C37PA44B](#) [FCE17B25SA4DB](#) [FCE17A15SA480](#) [FCE17A15SA21B](#) [FCE17A15SA210](#) [FCE17B25SA21B](#) [FCE17B25SA650](#) [FCE17B25PA4DB](#) [FCE17A15PA21B](#) [FCE17C37SA6DB](#) [FCE17C37SA250](#) [FCE17B25PA600](#) [FCE17E09SA60B](#) [FCE17A15PA250](#) [FCE17C37SA48B](#) [FCE17B25PA65B](#) [FCE17E09PA2D0](#) [FCE17E09PA610](#) [FCE17E09PA25B](#) [FCE17E09SA68B](#) [FCE17A15PA69B](#) [FCE17C37SA240](#) [FCE17B25SA640](#)