

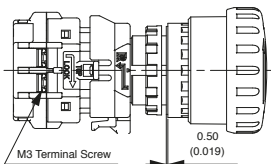
APEM



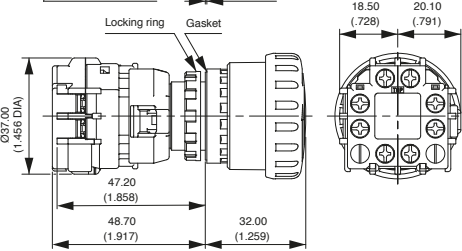
HIGH SECURITY INDUSTRIAL CONTROLS

Fail safe Emergency Stop switch including enclosure with or without illuminated halo

With Illuminated Halo

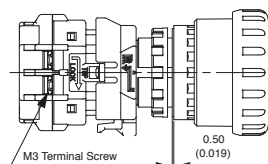


A02ESH3B112IX0
Double pole positive break
plus one normally open

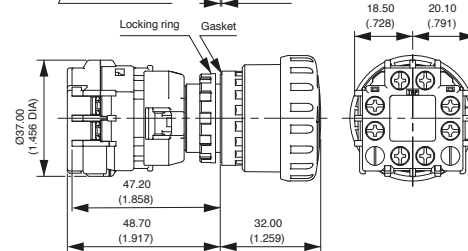


1

Without Illuminated Halo



A02ESH3B112IX0
Double pole positive break
plus one normally open

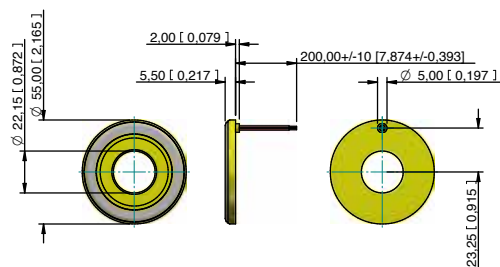


1

+

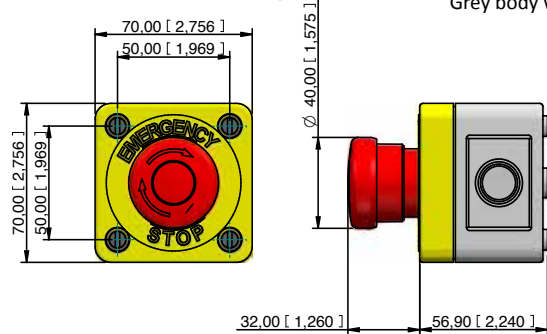
+

PEA01 Enclosure
Grey body with yellow lid

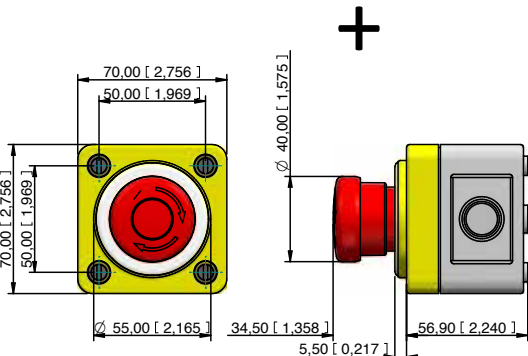


QH22L57YC
Yellow Halo 12/24VDC
Or
QH22L28RGC Red/Green
Bi-Colour Halo 12/24VDC

2



2



PEA01 Enclosure
Grey body with yellow lid

3

Please note Enclosure shown with items 1 fitted

Part Number Detail

High Security Emergency Stop Switch inc Enclosure
& Illuminated Yellow Halo Indicator, RS item number:- 1370017
APEM Part Number:- A02ESH3B112IX0+PEA01+QH22L57YC

High Security Emergency Stop Switch inc Enclosure
& Illuminated Red/Green Halo Indicator, RS item number:- 1370018
APEM Part Number:- A02ESH3B112IX0+PEA01+QH22L28RGC

High Security Emergency Stop Switch Inc Enclosure
& Yellow Label, RS item number:- 1370019
APEM Part Number:- A02ESH3B102IX0+PEA01+A01YL5

Please note Enclosure shown with items 1 and 2 fitted