

## DL Product Introduction

The Cannon DL Series of Zero Insertion Force (ZIF) connectors fill the need in the medical, commercial/industrial, computer and peripheral equipment market places for low-cost, high performance multiple-wire power and signal connectors.

DL connectors feature: a **minimum** rated life of 10,000 complete mating and unmating cycles with no performance loss; can be mated and unmated in less than two seconds even with as many as 2496 contacts; and they cost less (often as much as 25% less) per mated line than singular high-density rack-and-panel connectors.

Simple. Effective. Reliable. Durable.

Combining their special design with commercial-grade materials and low cost crimp, PCB and wrappable hermaphroditic contacts, that may be hand or machine terminated, makes the DL Series of ZIF connectors the finest low-cost-per-mated-line I/O connectors available today.



## Materials and Finishes

|                                |  |
|--------------------------------|--|
| DL1/2/3 Housing                | Glass filled thermoplastic, UL 94V-1 rated, Color: Black   |
| DL5 Housing                    | Glass filled thermoplastic, UL 94V-0 rated, Color: Black   |
| Crimp Contact*                 | Copper alloy, 50 $\mu$ inches gold over 50 $\mu$ inches nickel in mating area, gold flash on balance |
|                                | Copper alloy, 20 $\mu$ inches gold over 50 $\mu$ inches nickel in mating area, tin lead on balance   |
| Square Post Contact            | Copper alloy, 50 $\mu$ inches gold over 50 $\mu$ inches nickel in mating area, gold flash on balance |
|                                | Copper alloy, 20 $\mu$ inches gold over 50 $\mu$ inches nickel in mating area, gold flash on balance |
| Actuating Camshaft             | Stainless steel, Passivated  |
| Insulator Retainer (Plug Only) | Stainless steel, Passivated  |

\*Order crimp contacts separately, see pages 52-53.

DL1 — Plastic Body — 156 Pin Connectors — Crimp Contacts

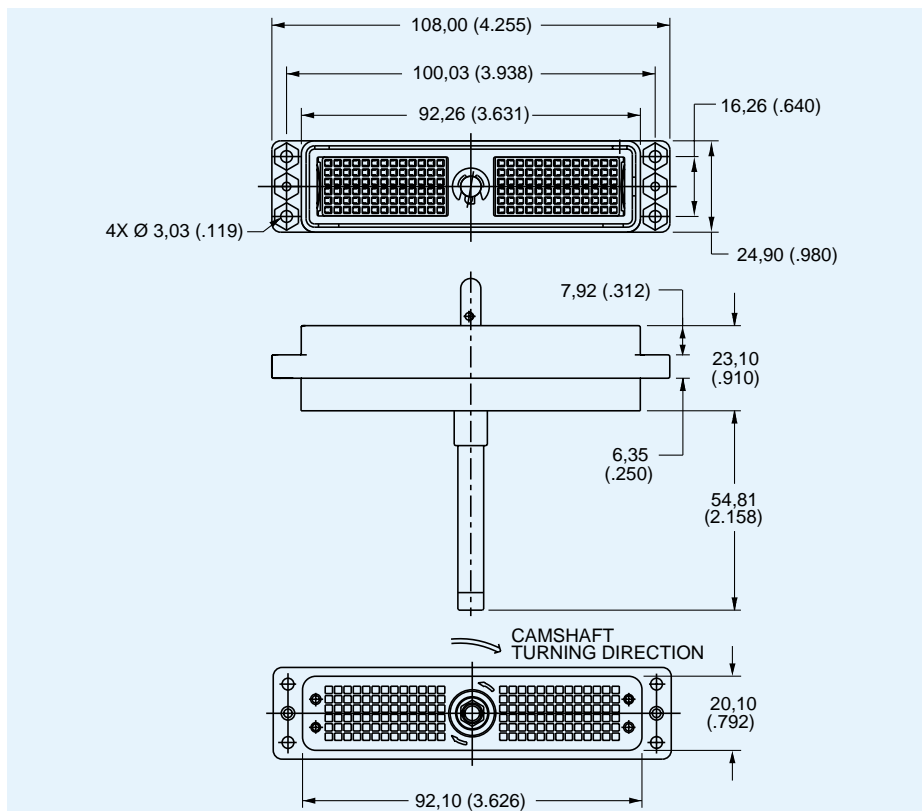
Plug

DL1, DL1M1, DL1D



- For contact cavity arrangement, see page 68.
- For panel cutout and mounting hole pattern, see page 65.
- Crimp contacts are to be ordered separately and installed by customer, see pages 52-53.
- Order actuating handle kit separately, see page 47.

| Part Number | Nomenclature |
|-------------|--------------|
| 110535-0000 | DL1-156P     |

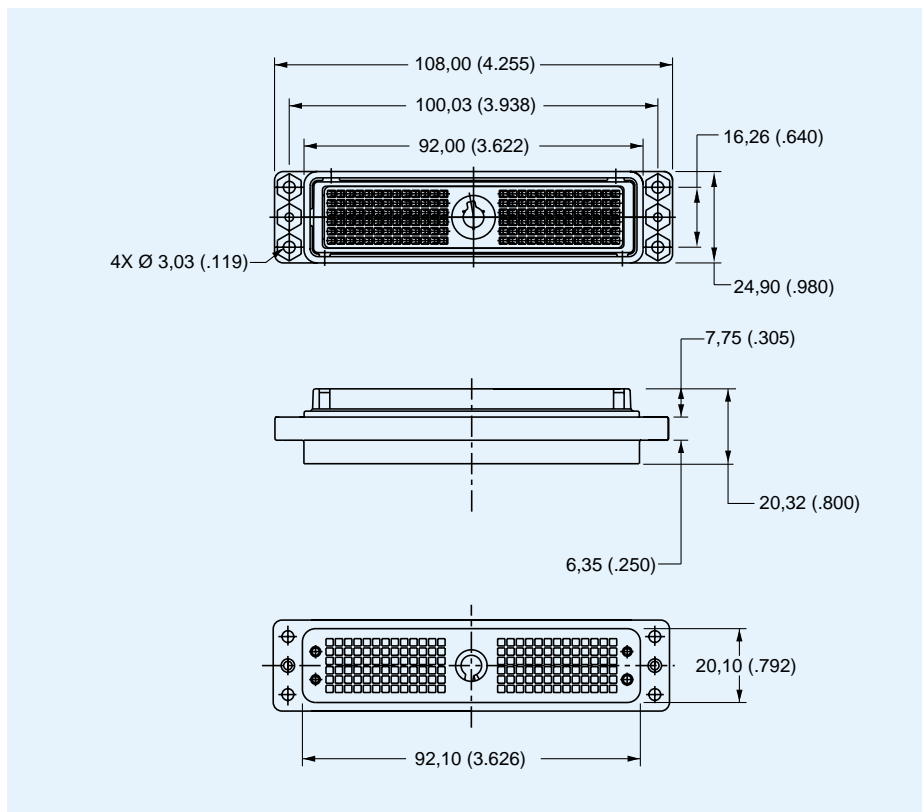


Receptacle



- For contact cavity arrangement, see page 68.
- For panel cutout and mounting hole pattern, see page 65.
- Crimp contacts are to be ordered separately and installed by customer, see pages 52-53.

| Part Number  | Nomenclature |
|--------------|--------------|
| 086-0030-000 | DL1-156R     |



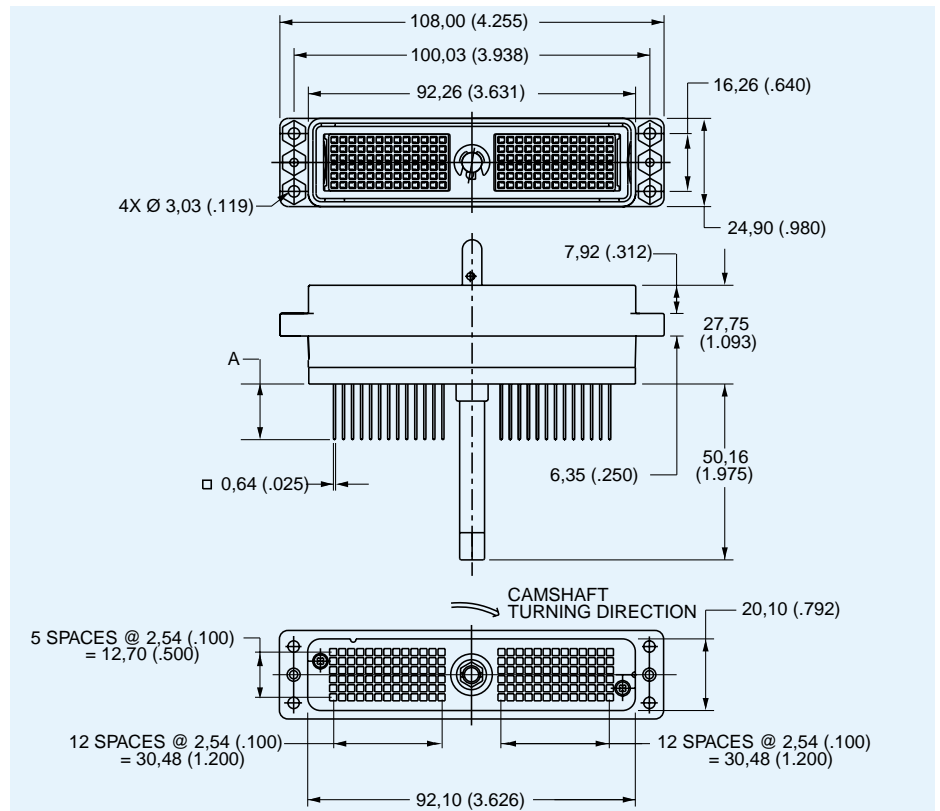
## DL1 — Plastic Body — 156 Pin Connectors — Square Post Contacts

### Plug



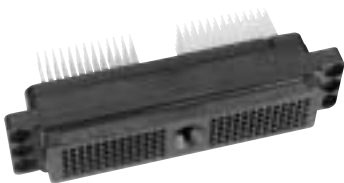
- For contact cavity arrangement, see page 68.
- For panel cutout and mounting hole pattern, see page 65.
- For PC hole pattern, see page 60.
- Front Removable 0,64 (.025) Square Posts 2,54 (.100) Centers.
- Order actuating handle kit separately, see page 47.

| Part Number | Nomenclature | A            |
|-------------|--------------|--------------|
| 110535-0012 | DL1-156PW4   | 15,37 (.605) |
| 110535-0025 | DL1-156PW4A  | 15,37 (.605) |
| 110535-0026 | DL1-156PW6   | 7,11 (.280)  |
| 110535-0030 | DL1-156PW6A  | 7,11 (.280)  |
| 110535-0040 | DL110535-40  | 3,18 (.125)  |



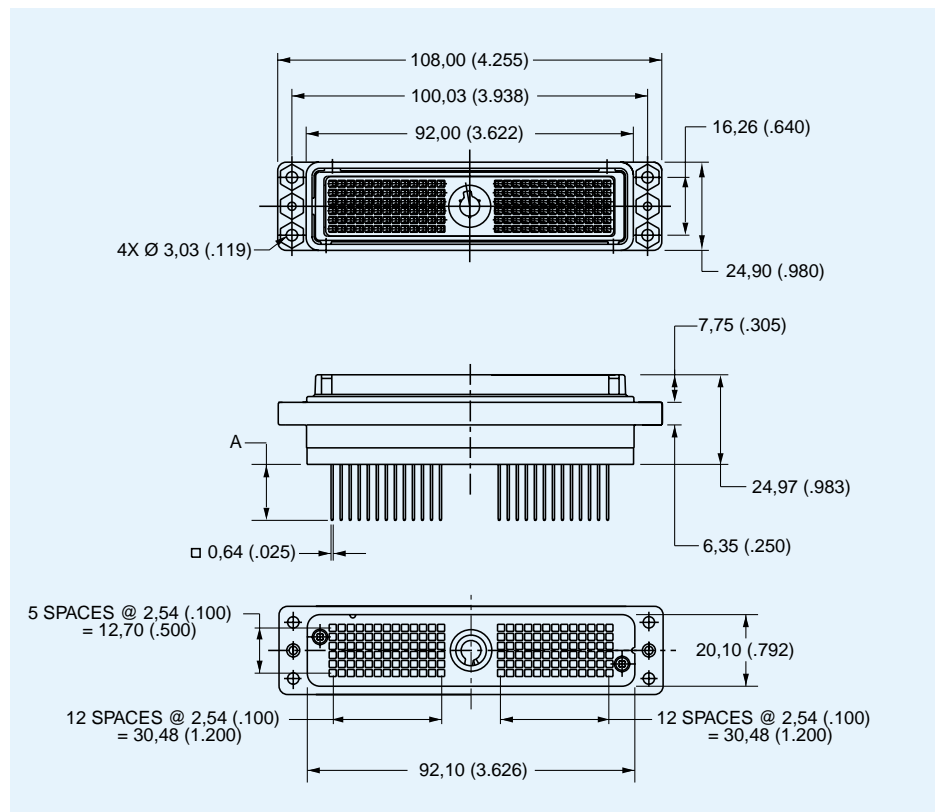
DL1, DL1M, DL1T

### Receptacle



- For contact cavity arrangement, see page 68.
- For panel cutout and mounting hole pattern, see page 65.
- For PC hole pattern, see page 60.
- Front Removable 0,64 (.025) Square Posts 2,54 (.100) Centers.

| Part Number | Nomenclature  | A            |
|-------------|---------------|--------------|
| 110536-1003 | DL1-156RW4    | 15,37 (.605) |
| 110536-1006 | DL1-156RW4B   | 15,37 (.605) |
| 110536-1009 | DL1-156RW6    | 7,11 (.280)  |
| 110536-1007 | DL1-156RW6B   | 7,11 (.280)  |
| 110536-1011 | DL110536-1011 | 3,18 (.125)  |

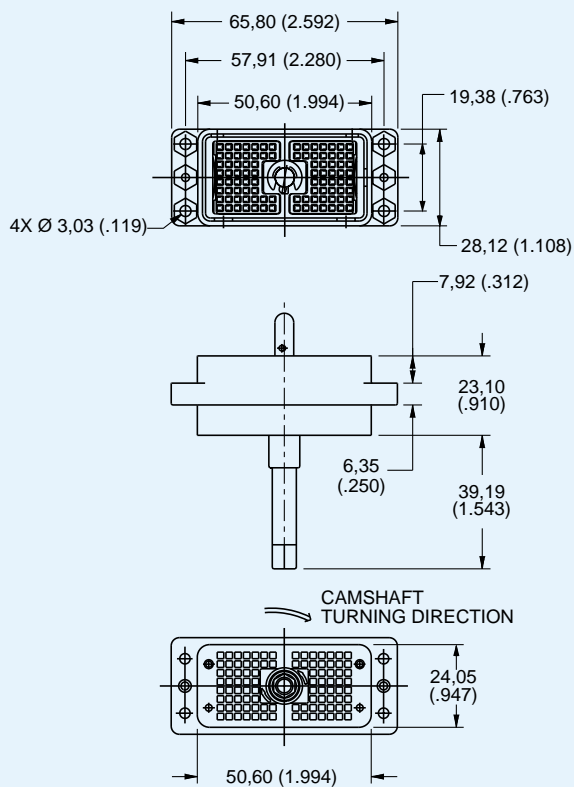


DL2 — Plastic Body — 96 Pin Connectors — Crimp Contacts

Plug



- For contact cavity arrangement, see page 68.
- For panel cutout and mounting hole pattern, see page 65.
- Crimp contacts are to be ordered separately and installed by customer, see pages 52-53.
- Order actuating handle kit separately, see page 47.

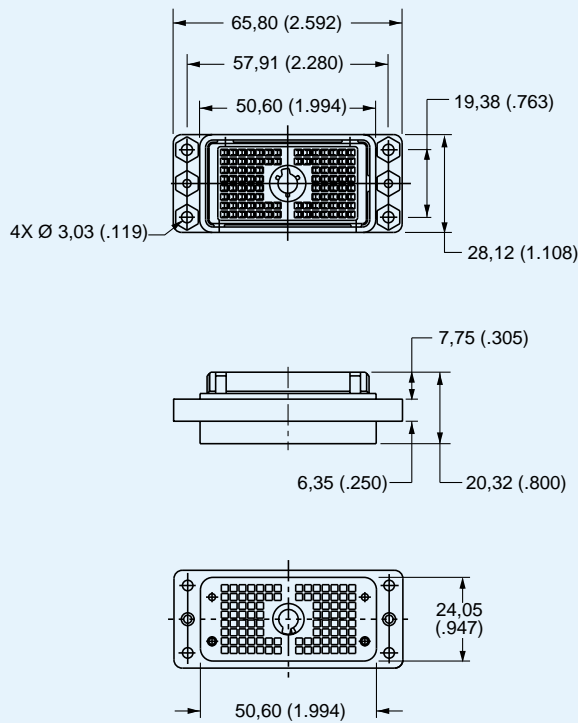


| Part Number | Nomenclature |
|-------------|--------------|
| 110777-0000 | DL2-96P      |

Receptacle



- For contact cavity arrangement, see page 68.
- For panel cutout and mounting hole pattern, see page 65.
- Crimp contacts are to be ordered separately and installed by customer, see pages 52-53.

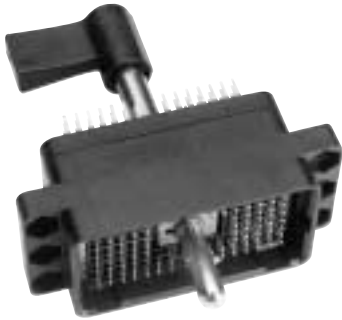


| Part Number  | Nomenclature |
|--------------|--------------|
| 086-0031-000 | DL2-96R      |

DL2, DLW2,  
DLD2

DL2 — Plastic Body — 96 Pin Connectors — Square Post Contacts

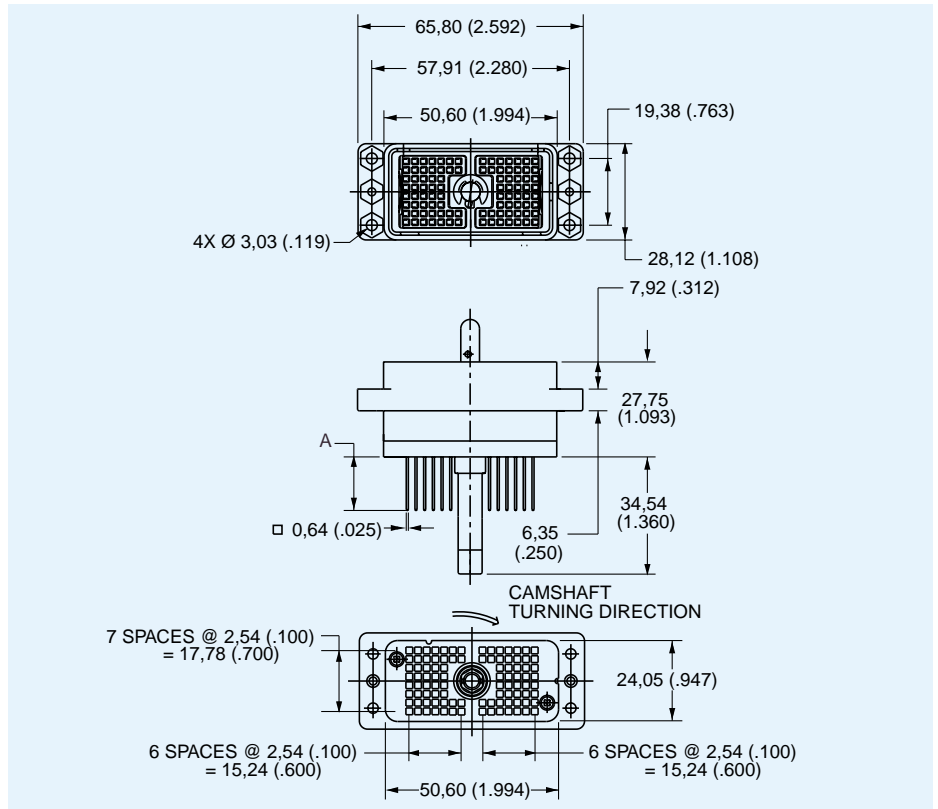
Plug



DL2, DL1M2, DL1D2

- For contact cavity arrangement, see page 68.
- For panel cutout and mounting hole pattern, see page 65.
- For PC hole pattern, see page 61.
- Front Removable 0,64 (.025) Square Posts 2,54 (.100) Centers.
- Order actuating handle kit separately, see page 47.

| Part Number | Nomenclature | A            |
|-------------|--------------|--------------|
| 110777-0008 | DL2-96PW4    | 15,37 (.605) |
| 110777-0022 | DL2-96PW4A   | 15,37 (.605) |
| 110777-0025 | DL2-96PW6A   | 7,11 (.280)  |

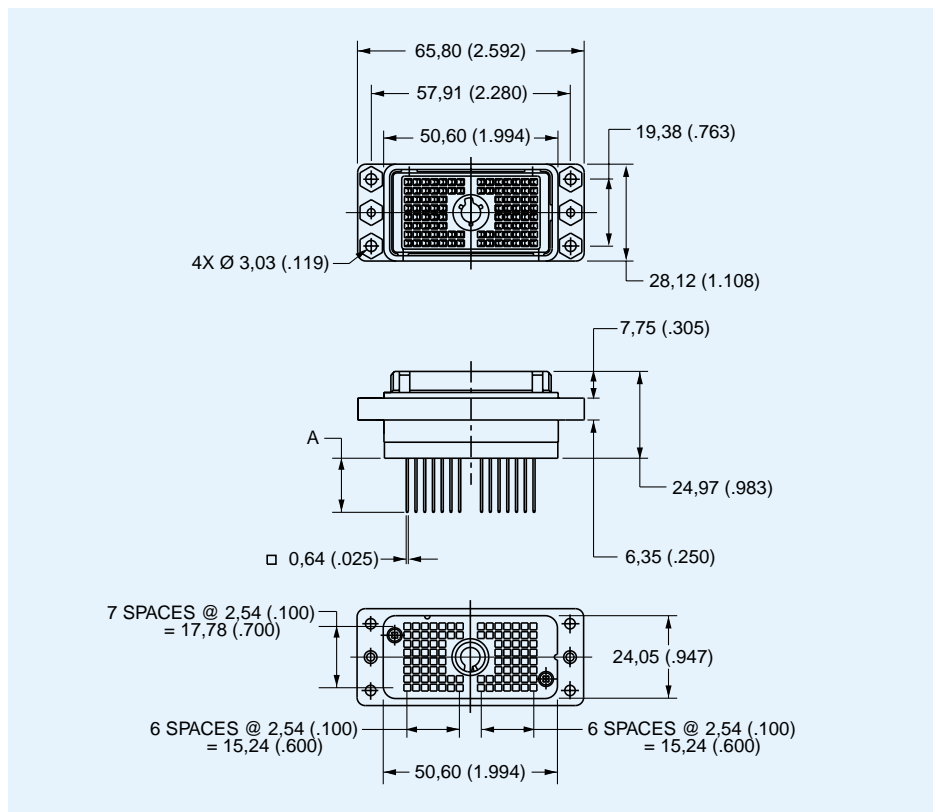


Receptacle



- For contact cavity arrangement, see page 68.
- For panel cutout and mounting hole pattern, see page 65.
- For PC hole pattern, see page 61.
- Front Removable 0,64 (.025) Square Posts 2,54 (.100) Centers.

| Part Number | Nomenclature | A            |
|-------------|--------------|--------------|
| 110855-0008 | DL2-96RW4    | 15,37 (.605) |
| 110855-0013 | DL2-96RW4B   | 15,37 (.605) |
| 110855-0014 | DL2-96RW6B   | 7,11 (.280)  |

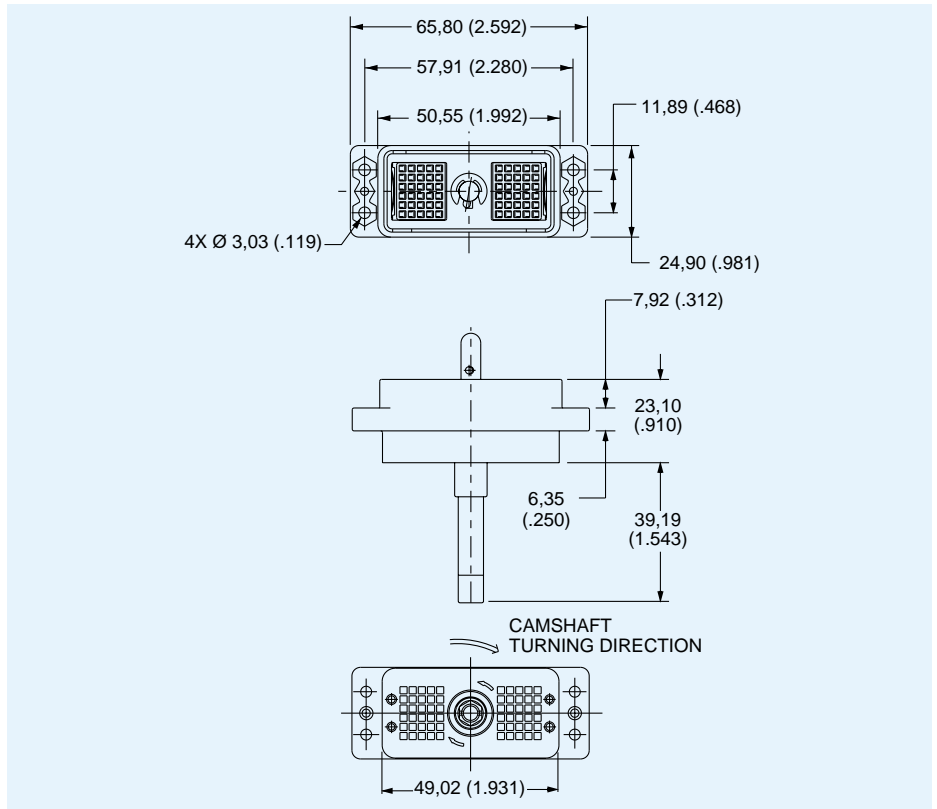


DL3 — Plastic Body — 60 Pin Connectors — Crimp Contacts

Plug



- For contact cavity arrangement, see page 68.
- For panel cutout and mounting hole pattern, see page 65.
- Crimp contacts are to be ordered separately and installed by customer, see pages 52-53.
- Order actuating handle kit separately, see page 47.

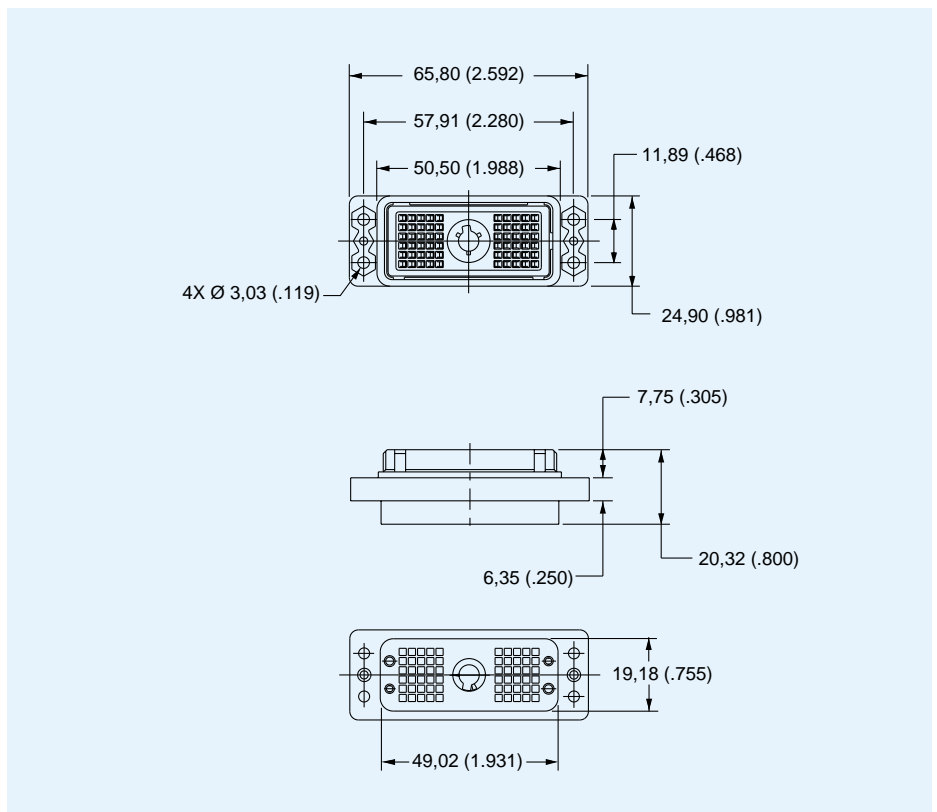


| Part Number | Nomenclature |
|-------------|--------------|
| 110900-0008 | DL3-60P      |

Receptacle



- For contact cavity arrangement, see page 68.
- For panel cutout and mounting hole pattern, see page 65.
- Crimp contacts are to be ordered separately and installed by customer, see pages 52-53.



| Part Number  | Nomenclature |
|--------------|--------------|
| 086-0032-000 | DL3-60R      |

DL3, DLMS

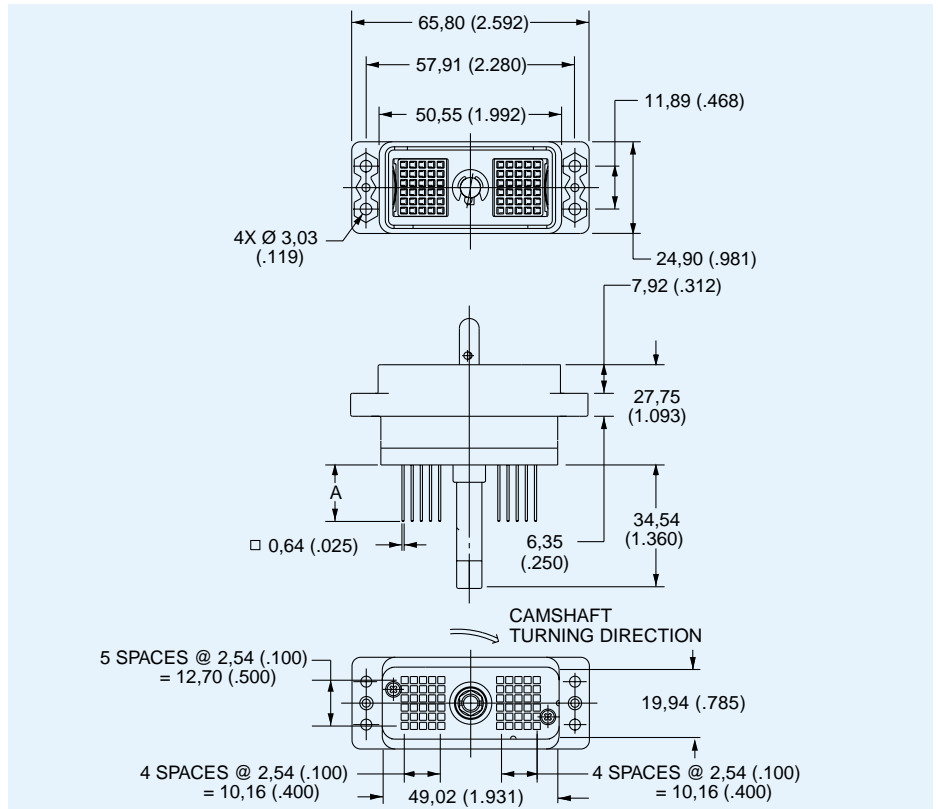
DL3 — Plastic Body — 60 Pin Connectors — Square Post Contacts

Plug



- For contact cavity arrangement, see page 68.
- For panel cutout and mounting hole pattern, see page 65.
- For PC hole pattern, see page 62.
- Front Removable 0,64 (.025) Square Posts 2,54 (.100) Centers.
- Order actuating handle kit separately, see page 47.

| Part Number | Nomenclature | A            |
|-------------|--------------|--------------|
| 110900-0006 | DL3-60PW4    | 15,37 (.605) |
| 110900-0013 | DL3-60PW4A   | 15,37 (.605) |
| 110900-0014 | DL3-60PW6A   | 7,11 (.280)  |

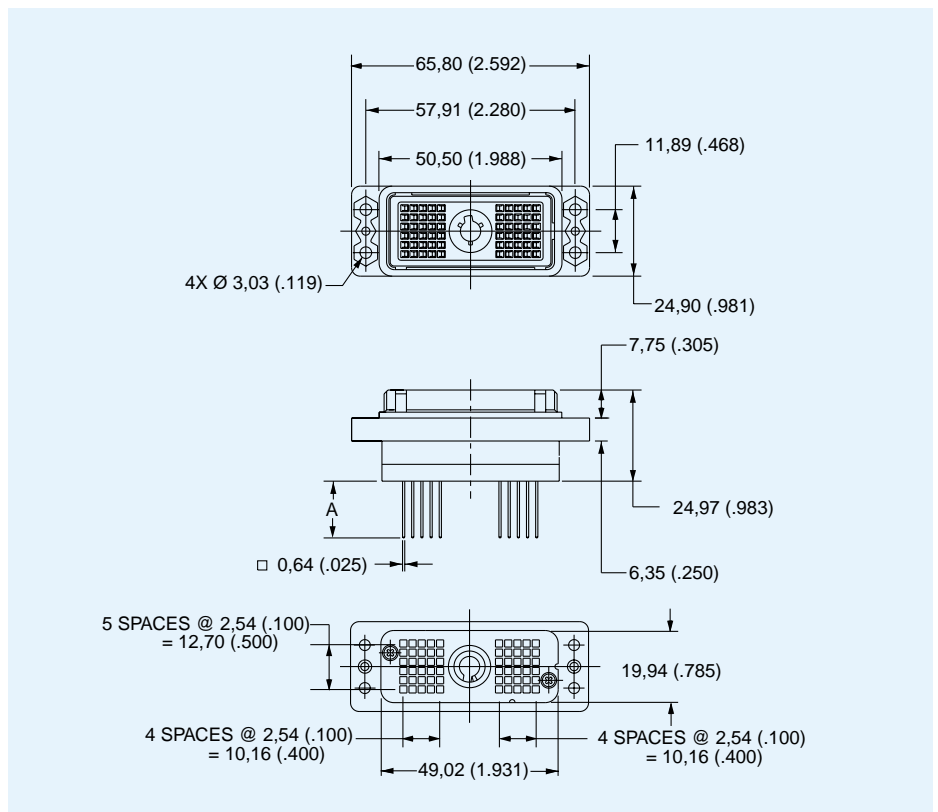


Receptacle



- For contact cavity arrangement, see page 68.
- For panel cutout and mounting hole pattern, see page 65.
- For PC hole pattern, see page 62.
- Front Removable 0,64 (.025) Square Posts 2,54 (.100) Centers.

| Part Number | Nomenclature | A            |
|-------------|--------------|--------------|
| 110901-0004 | DL3-60RW4    | 15,37 (.605) |
| 110901-0009 | DL3-60RW4B   | 15,37 (.605) |
| 110901-0010 | DL3-60RW6B   | 7,11 (.280)  |



DL3, DLMS

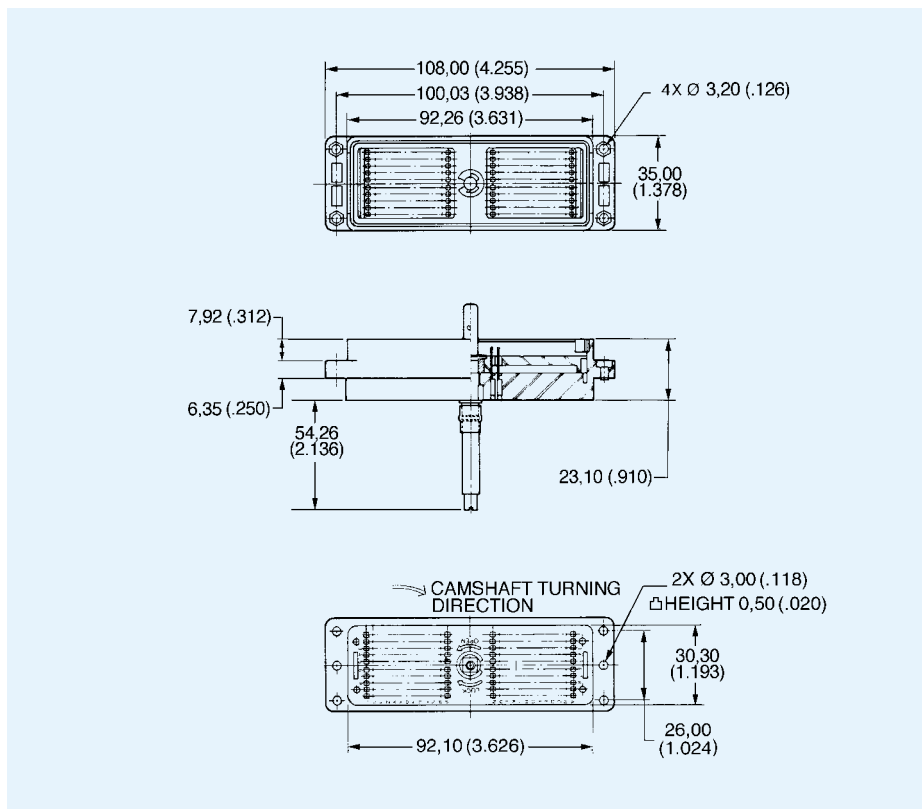
## DL5 — Plastic Body — 260 Pin Connectors — Crimp Contacts

### Plug



- For contact cavity arrangement, see page 69.
- For panel cutout and mounting hole pattern, see page 65.
- Crimp contacts are to be ordered separately and installed by customer, see pages 52-53.
- Order actuating handle kit separately, see page 47.

| Part Number | Nomenclature |
|-------------|--------------|
| 111986-0014 | DL5-260P     |

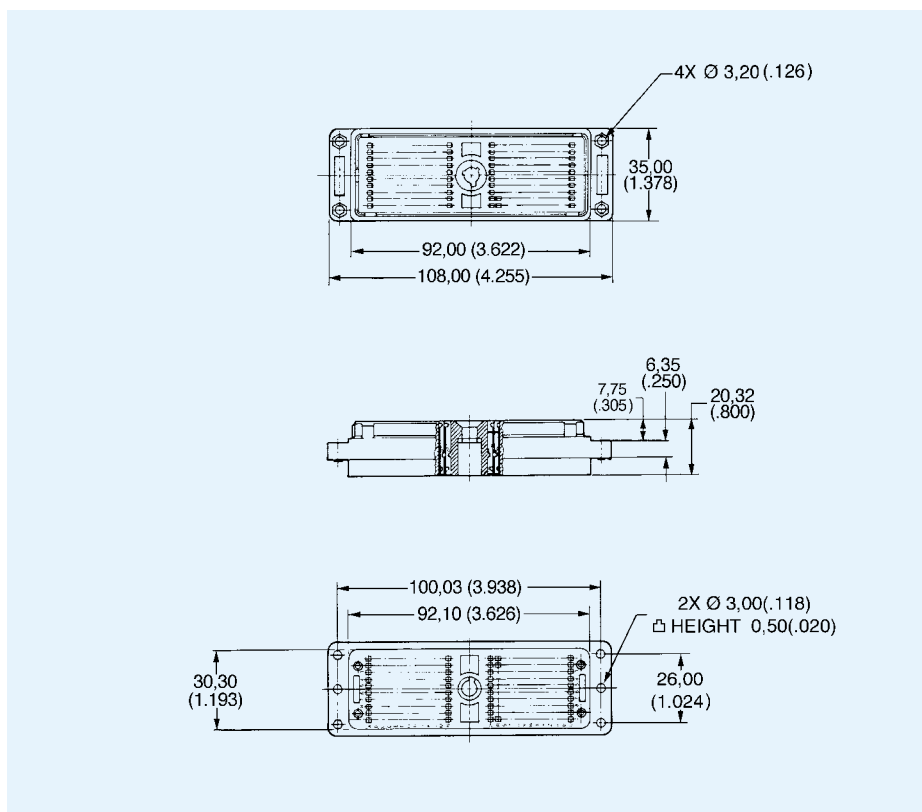


### Receptacle



- For contact cavity arrangement, see page 69.
- For panel cutout and mounting hole pattern, see page 65.
- Crimp contacts are to be ordered separately and installed by customer, see pages 52-53.

| Part Number  | Nomenclature |
|--------------|--------------|
| 086-4501-000 | DL5-260R     |

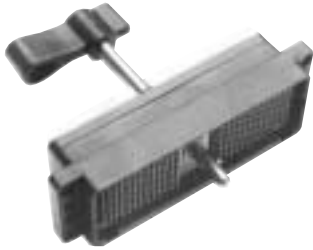


DL5, DLMS

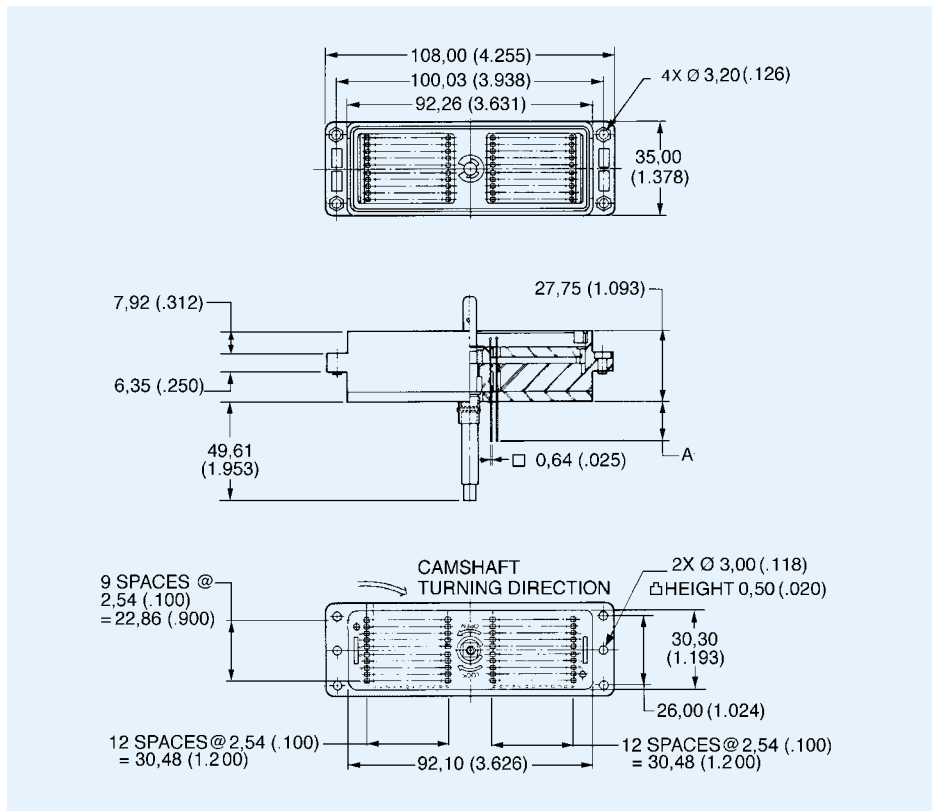


DL5 — Plastic Body — 260 Pin Connectors — Square Post Contacts

Plug

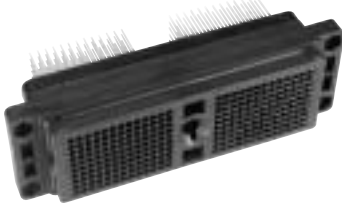


- For contact cavity arrangement, see page 69.
- For panel cutout and mounting hole pattern, see page 65.
- For PC hole pattern, see page 62.
- Front Removable 0,64 (.025) Square Posts 2,54 (.100) Centers.
- Order actuating handle kit separately, see page 47.

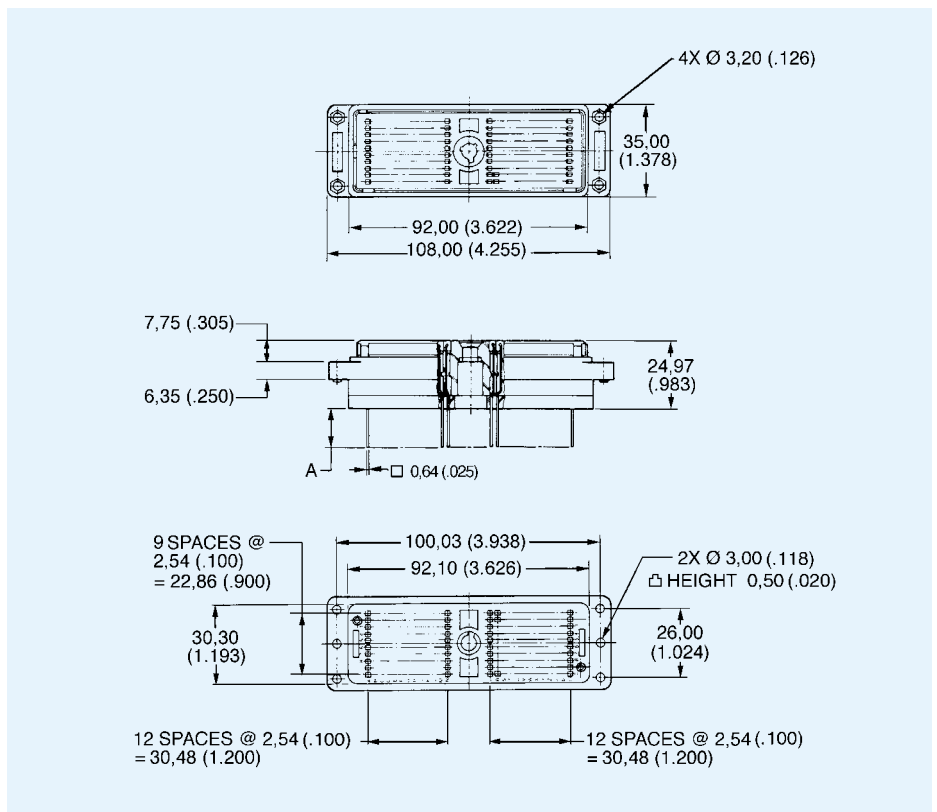


| Part Number | Nomenclature | A            |
|-------------|--------------|--------------|
| 111986-0003 | DL5-260PW4A  | 15,37 (.605) |
| 111986-0000 | DL5-260PW6A  | 7,11 (.280)  |

Receptacle



- For contact cavity arrangement, see page 69.
- For panel cutout and mounting hole pattern, see page 65.
- For PC hole pattern, see page 62.
- Front Removable 0,64 (.025) Square Posts 2,54 (.100) Centers.



| Part Number | Nomenclature | A            |
|-------------|--------------|--------------|
| 111987-0001 | DL5-260RW4B  | 15,37 (.605) |
| 111987-0000 | DL5-260RW6B  | 7,11 (.280)  |

DL5, DLMS