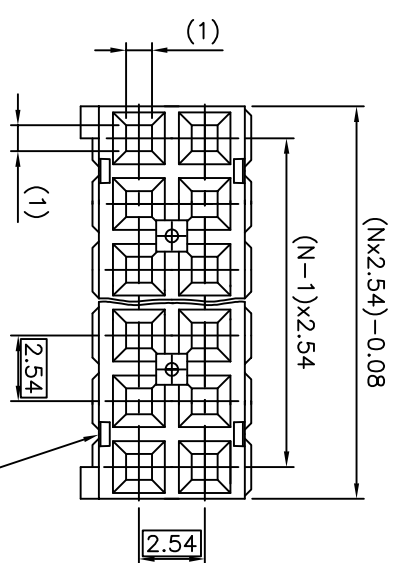
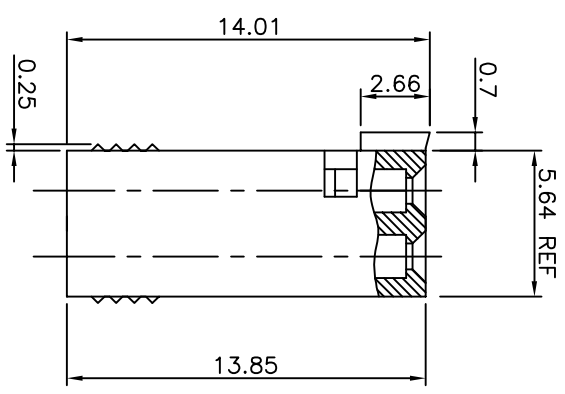


PRODUCT NUMBER
65239-YYXLF

WHEN NEEDED, SUFFIX LETTER "LF" INDICATES THE PRODUCT IS ROHS COMPLIANT, SEE NOTE 6
NUMBER OF CAVITIES PER ROW : 02 TO 36.
PLASTIC MATERIAL COLOR CODE.
0 = BLUE
1 = GREY
2 = BLACK, HALOGEN FREE



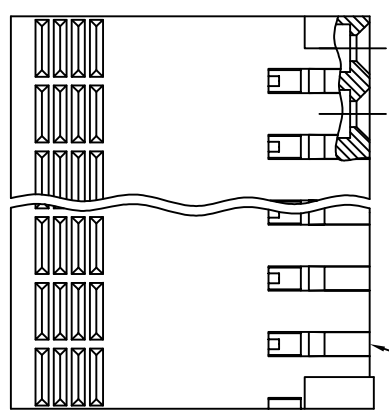
SEE NOTE 2



NOTES:

- 1 - HOUSING MAT'L.: THERMOPLASTIC GLASS FILLED FLAME RETARDANT PER UL 94 V-0.
- 2 - OVER DASH -007 ONLY FIRST AND LAST THREE POSITIONS MUST HAVE GROOVES ON TWO SIDES.
- 3 - PRODUCT PACKED IN PLASTIC BAG.
- 4 - TO DETERMINE DIMENSIONS:
N = NUMBER OF POSITIONS
EXAMPLE: 8 POS: (N x 2.54) - 0.08 = 20.24 mm.
- 5 - FOR TECHNICAL APPLICATION SEE TA317.
- 6 - ROHS COMPATIBLE PRODUCT SPECIFICATIONS

- a - LABELING:
- MEETS PACKAGING SPECS AS PER GS-14-920
- b - LEGAL STATEMENT: SEE GS-22-008
- THE PRODUCT IS NOT INTENDED TO BE EXPOSED TO A MANUFACTURING SOLDER PROCESS.



mat'l. code	surface	tolerance	projection	product family									
ISO 1302	ISO 406	ISO 101											
SEE NOTE	✓			DUBOX									
U#	ec#	no	dr	date	tolerances unless otherwise specified	angles	linear	±0.3	mm	scale	5:1	title	CTW HOUSING
M	F05-0236	DLE	05.08.24									DR	
N	F05-0286	DLE	05.11.07										
P	F06-0146	DLE	06.03.10										
R	F06-0225	DLE	06.07.07	dr	LWJUN								
T	F-34623	DDE	19.08.20	eng	P.NIZZI								
L	F05-0169	DLE	05.04.07	app	JF.MOTTEAU								
sheet	revision											dwg no	65239
index	sheet											sheet 1 of 1	A3
												size	A3
												type	CUSTOMER Drawing