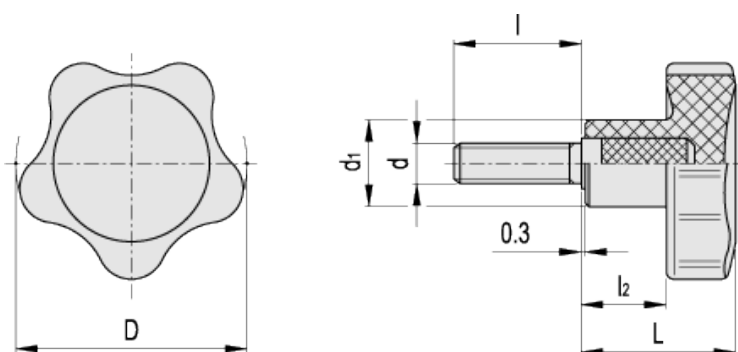


VC.692-SST-p

Lobe knobs



ELESA Original design



Elesa Standards		Main dimensions				Threaded stud		Weight
Code	Description	D	L	d ₁	l ₂	d _{6g}	l	g
166157	VC.692/25 SST-p-M4x6	25	20	12	10	M4	6	6
166158	VC.692/25 SST-p-M4x10	25	20	12	10	M4	10	7
166161	VC.692/25-SST-p-M5x10	25	20	12	10	M5	10	8
166162	VC.692/25-SST-p-M5x16	25	20	12	10	M5	16	9
166171	VC.692/25 SST-p-M6x10	25	20	12	10	M6	10	10
166172	VC.692/25 SST-p-M6x16	25	20	12	10	M6	16	11
166173	VC.692/25 SST-p-M6x20	25	20	12	10	M6	20	12
166175	VC.692/25 SST-p-M6x25	25	20	12	10	M6	25	13
166174	VC.692/25 SST-p-M6x30	25	20	12	10	M6	30	14
166176	VC.692/25 SST-p-M6x35	25	20	12	10	M6	35	15
166261	VC.692/32 SST-p-M6x10	32	22.5	14	12.5	M6	10	17
166262	VC.692/32-SST-p-M6x16	32	22.5	14	12.5	M6	16	15
166263	VC.692/32-SST-p-M6x20	32	22.5	14	12.5	M6	20	16
166264	VC.692/32-SST-p-M6x30	32	22.5	14	12.5	M6	30	19
166266	VC.692/32-SST-p-M6x35	32	22.5	14	12.5	M6	35	20
166274	VC.692/32-SST-p-M8x25	32	22.5	14	12.5	M8	25	21
166275	VC.692/32-SST-p-M8x30	32	22.5	14	12.5	M8	30	22

Elesa Standards		Main dimensions				Threaded stud		Weight
Code	Description	D	L	d ₁	l ₂	d _{6g}	l	g
166277	VC.692/32-SST-p-M8x40	32	22.5	14	12.5	M8	40	23
166370	VC.692/40 SST-p-M6x10	40	26	15	14	M6	10	20
166372	VC.692/40 SST-p-M6x20	40	26	15	14	M6	20	25
166374	VC.692/40 SST-p-M6x30	40	26	15	14	M6	30	27
166376	VC.692/40 SST-p-M6x40	40	26	15	14	M6	40	31
166379	VC.692/40 SST-p-M8x16	40	26	15	14	M8	16	26
166381	VC.692/40-SST-p-M8x20	40	26	15	14	M8	20	28
166382	VC.692/40 SST-p-M8x25	40	26	15	14	M8	25	30
166383	VC.692/40-SST-p-M8x30	40	26	15	14	M8	30	32
166384	VC.692/40-SST-p-M8x35	40	26	15	14	M8	35	34
166385	VC.692/40-SST-p-M8x40	40	26	15	14	M8	40	36
166386	VC.692/40-SST-p-M8x45	40	26	15	14	M8	45	38
166451	VC.692/50 SST-p-M8x16	50	31	18	17	M8	16	38
166452	VC.692/50 SST-p-M8x20	50	31	18	17	M8	20	40
166453	VC.692/50 SST-p-M8x25	50	31	18	17	M8	25	41
166454	VC.692/50 SST-p-M8x30	50	31	18	17	M8	30	42
166455	VC.692/50 SST-p-M8x35	50	31	18	17	M8	35	43
166456	VC.692/50 SST-p-M8x40	50	31	18	17	M8	40	45
166457	VC.692/50 SST-p-M8x50	50	31	18	17	M8	50	46
166491	VC.692/50-SST-p-M10x20	50	31	18	17	M10	20	47
166493	VC.692/50-SST-p-M10x30	50	31	18	17	M10	30	57
166495	VC.692/50-SST-p-M10x40	50	31	18	17	M10	40	67
166496	VC.692/50-SST-p-M10x50	50	31	18	17	M10	50	69
166562	VC.692/60 SST-p-M10x20	60	36.5	21	21	M10	20	70
166564	VC.692/60 SST-p-M10x30	60	36.5	21	21	M10	30	71
166566	VC.692/60 SST-p-M10x40	60	36.5	21	21	M10	40	73
166568	VC.692/60 SST-p-M10x50	60	36.5	21	21	M10	50	75
166591	VC.692/60-SST-p-M12x30	60	36.5	21	21	M12	30	70
166593	VC.692/60-SST-p-M12x40	60	36.5	21	21	M12	40	81
166595	VC.692/60-SST-p-M12x50	60	36.5	21	21	M12	50	92

Material

Glass-fibre reinforced polyamide based (PA) technopolymer. Resistant to solvents, oils, greases and other chemical agents.

Colour

Black, matte finish.

Standard execution

AISI 303 stainless steel threaded stud, chamfered flat end according to UNI 947 : ISO 4753 (see [Technical Data](#)).

Features and applications

The exclusive five-lobe shape (ELESA original design) offers the operator's fingers a proper grip and prevents unhealthy residues from depositing thanks to its solid shape without cavities.

This knob is particularly suitable for applications on machines and equipment whose parts, for hygienic reasons, must be frequently cleaned also using water or steam jets.



STANDAARD MACHINE ELEMENTS WORLDWIDE

ELESA models all rights reserved in accordance with the law. Always mention the source when reproducing our drawings.

