

## Multidial 10 Turns 30.6mm Dia Projecting Design

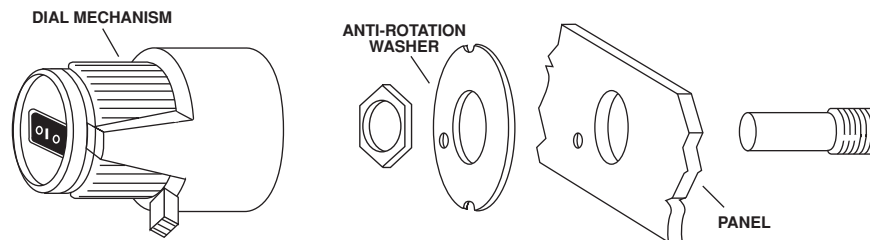
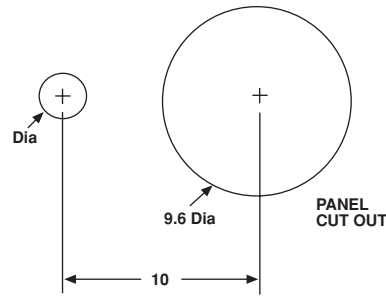


23-1-21 Projecting  
L. 31.5mm

### FEATURES

- Black body, satin face with chrome ring
- White three digit markings on black background
- Additional graduations for fine adjustment
- Protective window
- Locking lever for fixed position
- Suitable for 6.35mm shafts
- Supplied with locking key and mounting instructions

### DIMENSIONS in inches (millimeters)



### ORDERING INFORMATION

**23**  
MODEL

**1**  
1/4" SHAFT

**21**  
BLACK BODY  
Satin face with chrome ring

## Multidial 10 Turns 30.6mm Dia Recessed Design

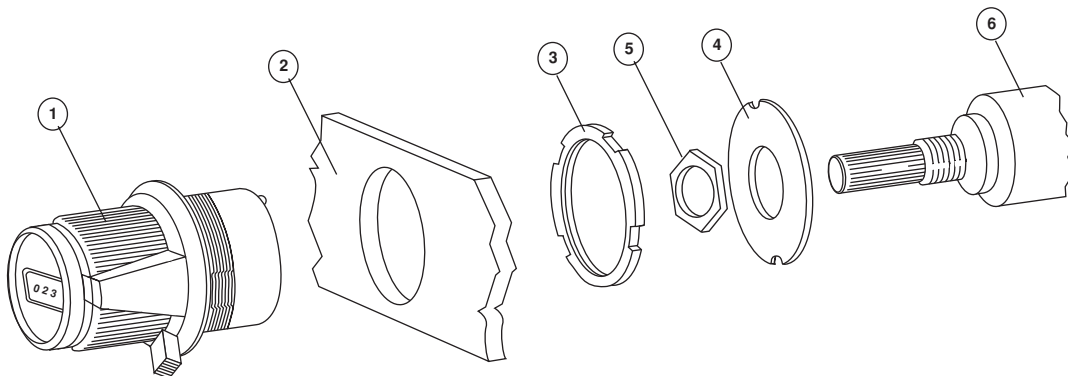
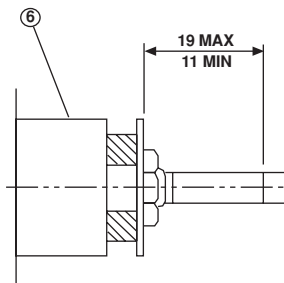


26-1-21 Recessed  
L. 15mm (from panel)  
L. 31.5mm (total)

### FEATURES

- Black body, satin face with chrome ring
- White three digit markings on black background
- Additional graduations for fine adjustment
- Protective window
- Locking lever for fixed position
- Suitable for 6.35mm shafts
- Supplied with locking key and mounting instructions

### DIMENSIONS in inches (millimeters)



### ORDERING INFORMATION

26  
MODEL

1  
1/4" SHAFT

21  
BLACK BODY  
Satin face with chrome ring