

# SELF SEAL FITTINGS SERIES KC

- ✓ One touch fitting (with built-in self-seal mechanism) to prevent air exhaust when tube removed
- ✓ Most suitable for rationalising and labour saving during piping work
- ✓ many options: 10 types available



## TECHNICAL SPECIFICATIONS

Fluid	Air	
Max operating pressure	1.0 MPa	
Ambient and fluid temperature	5-60°C	
Thread	Thread portion	JIB B0203 (Taper pipe thread)
	Nut	JIB B0211 class 2 (Metric fine thread)
Sealant (Thread portion)	With sealant (Standard)	
Applicable for copper free applications	Brass Component (Electroless nickel plated)	
Applicable tube*	Nylon, Soft nylon, Polyurethane	

\*Dimensions to BS5409 part 1

## SYMBOLS



## PRODUCT SELECTOR

KCT



## PRODUCT SELECTOR

KCJ



## PRODUCT SELECTOR

KCE



## PRODUCT SELECTOR

KCL



## PRODUCT SELECTOR

KCL



## PRODUCT SELECTOR

KCE



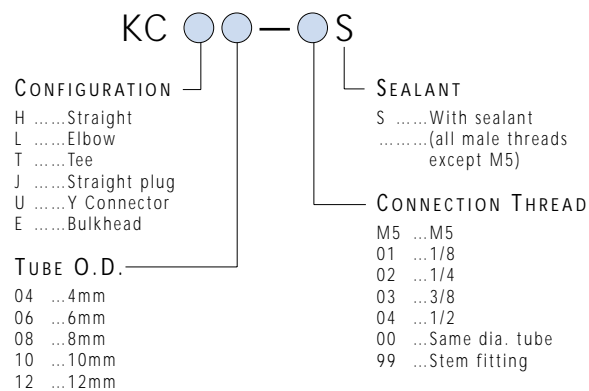
## PRODUCT SELECTOR

KCU



## HOW TO ORDER

UNI ONE TOUCH FITTINGS



## PRODUCT SELECTOR

KCH



## PRODUCT SELECTOR

KCH STRAIGHT PLUG FOR FREQUENT USE



**STOCKED PRODUCTS**  
FOR A LIST OF STOCKED PRODUCTS,  
PLEASE SEE THE CURRENT SMC PRICE LIST



SEE INSIDE FRONT COVER FOR  
DETAILS OF YOUR LOCAL SALES OFFICE



FOR FURTHER TECHNICAL  
DETAILS ON THIS  
PRODUCT REQUEST  
CATALOGUE REFERENCE  
E501