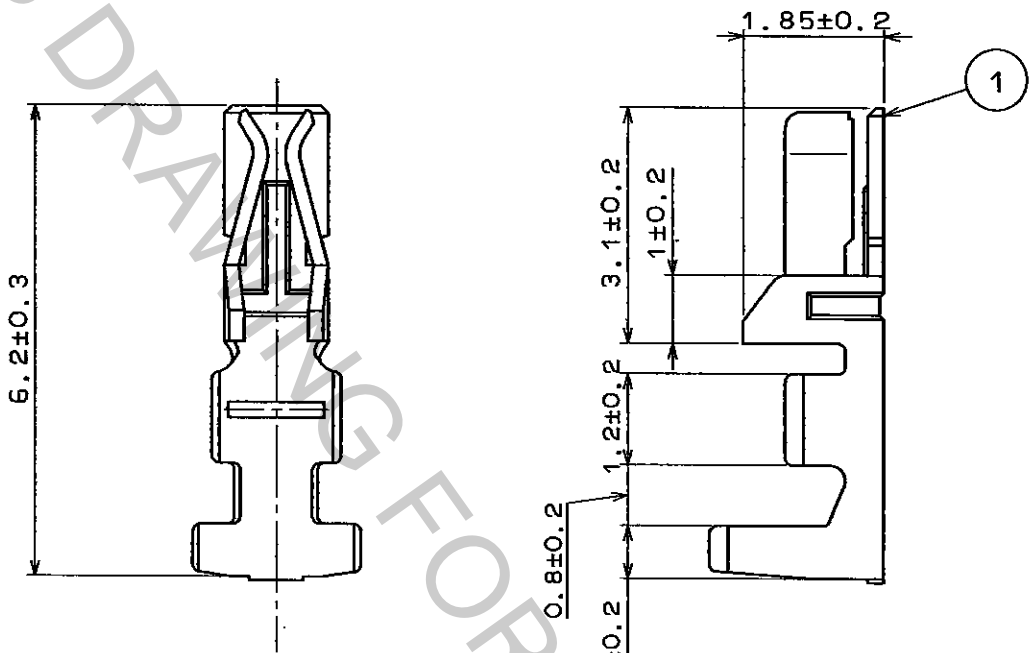
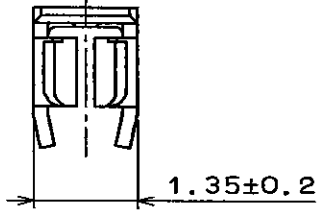


Oct.1.2018 Copyright 2018 HIROSE ELECTRIC CO., LTD. All Rights Reserved.
 In case that the application demands a high level of reliability, such as automotive,
 please contact a company representative for further information.

1					2					3					4				
COUNT	DESCRIPTION OF REVISIONS				BY	CHKD	DATE	COUNT	DESCRIPTION OF REVISIONS				BY	CHKD	DATE				
△							..	△							..				
△							..	△							..				
△							..	△							..				



NOTE 1. 100 CONNECTORS ARE IN ONE PACK.

NO.		MATERIAL		FINISH . REMARKS		1		PHOSPHOR BRONZE		TIN PLATED	
CODE NO. (OLD)		DRAWN		DESIGNED		CHECKED		APPROVED		RELEASED	
		<i>J. Miyazaki</i>		<i>J. Miyazaki</i>		<i>J. Onda</i>		<i>H. Yamamoto</i>			
		'96.1.22		'96.1.22		'96.1.22		'96.1.24			
DRAWING NO.		PART NO.		CODE NO.		1		1			
EDC4-020865		DF11-2428SC		CL543-0501-5							
UNITS		HIROSE ELECTRIC CO., LTD.									
mm		HRS									

TO

