

PRODUCT NUMBER

77313-YXX-XXLF

PLATING SEE SHEET 2

PIN STYLE SEE SHEET 2

RoHS COMPATIBLE
SEE NOTE 7

TOTAL NB OF POSITIONS 04 TO 72

OPTION LETTERS : NOTE 8

PRODUCT NUMBER (BERGSTRIK PACKAGING)

77313-YXX-00LF

PLATING

1= 0.76µm GOLD/GXT ON CONTACT
AREA, 2µm TIN MIN ON TAILS

8= 0.38µm GOLD/GXT ON CONTACT
AREA, 2µm TIN MIN ON TAILS

4= 2.0µm TIN MIN FULL PLATED

1.27µm NICKEL MIN UNDERLAYER FOR
ALL PLATING VERSIONS

INDICATES THE PRODUCT IS RoHS
COMPATIBLE, SEE NOTE 6

POSITIONS PER REEL : 00=45,000 (BERGSTRIK)

PIN STYLE	MATING	SOLDER	OAL
01	5.84	2.41	10.8
02	5.84	3.42	11.8
18	5.84	3.05	11.43
22	7.75	3.05	13.35
24	6.75	2.9	12.2
27	6.6	2.66	11.8

NOTES:

1. HOUSING MAT'L : HIGH TEMPERATURE
THERMOPLASTIC. UL94V-0 COLOR: BLACK

2. PIN MATERIAL : PHOSPHOR BRONZE

3. BERGSTIK PRODUCT PACKAGED IN POLY BAGS.
BERGSTRIK PRODUCT PACKAGED PER REELS.

4. 9N MIN RETENTION IN EITHER DIRECTION

5. TO DETERMINE DIMENSIONS :
N = NUMBER OF POSITIONS PER ROW
EXAMPLE : 8 POS N x 2.54 = 20.32mm

6. FOR PIN IN PASTE SOLDERING APPLICATION :
FINISHED PLATED HOLE Ø1.02-Ø1.06
LAND Ø1.45 MAX

7. RoHS COMPATIBLE PRODUCT SPECIFICATIONS

a - PLATING:

- "LF" MEANS THE PRODUCT IS LEAD-FREE, 2µm MINIMUM
MATTE TIN OVER 1.27µm MINIMUM NICKEL UNDERPLATE

b - MANUFACTURING PROCESS COMPATIBILITY

- THE HOUSING WILL WITHSTAND EXPOSURE TO 260°C ±5°C SOLDER BATH TEMPERATURE
FOR 5 SECONDS IN A WAVE SOLDER APPLICATION WITH A 1.6mm MIN THICK CIRCUIT BOARD
- REFLOW COMPATIBLE

c - LABELING:

- MEETS PACKAGING SPECS AS PER GS-14-920

d - LEGAL STATEMENT: SEE GS-47-0004

8. OPTIONS : - = POLYBAG PACK

"A" = TAPE & REEL WITH CAP, AS AVAILABLE

"T" = STANDARD TUBE PACKAGING

"V" = BLIBOX PACK FOR CUSTOMER DEDICATED PART

"AV" = TAPE & REEL WITH CAP FOR CUSTOMER DEDICATED PART

"KV" = TAPE & REEL WITHOUT CAP FOR CUSTOMER DEDICATED PART

"TV" = TUBE WITHOUT CAP FOR CUSTOMER DEDICATED PART

"R" = RETENTION FEATURE PAGE 2

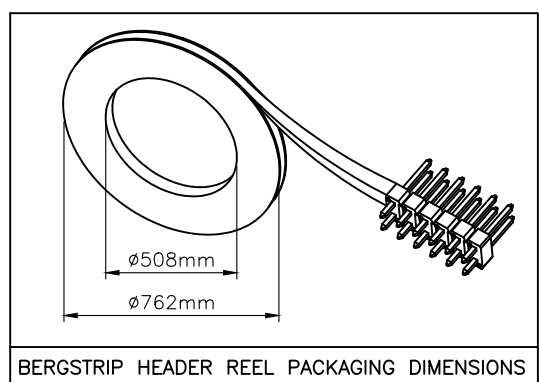
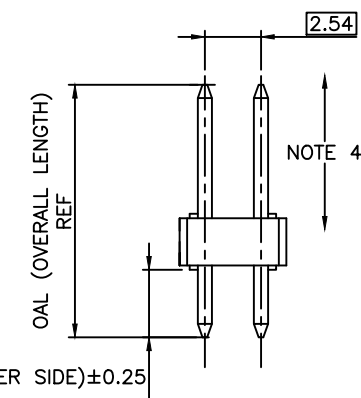
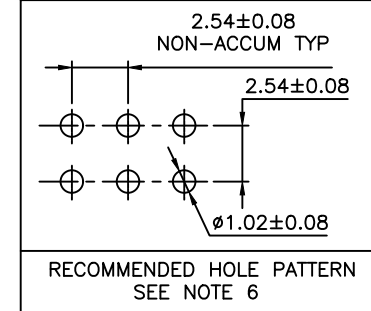
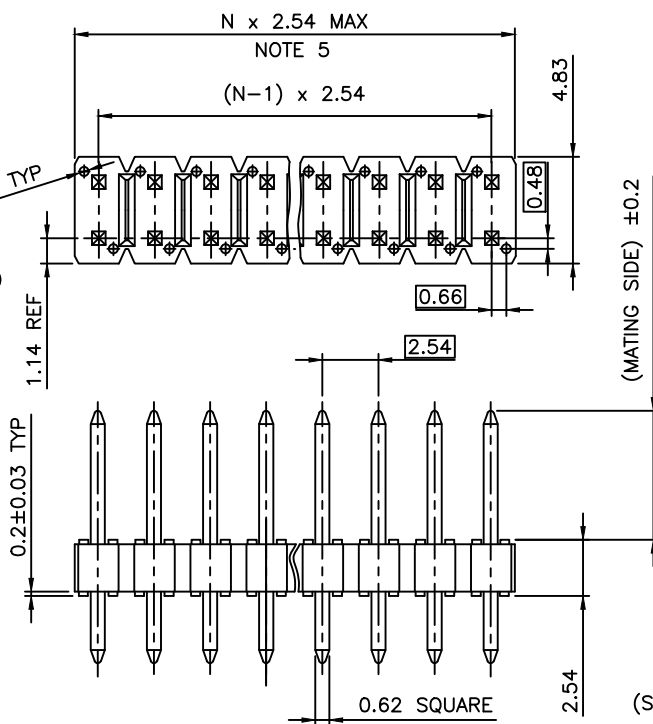
IF RETENTION FEATURE "R" AND TUBE PACKAGING "T" ARE BOTH REQUIRED
OPTIONAL LETTER "R" WILL APPEAR INSTEAD OF THE FIRST DASH

EXAMPLE : 77313R118T40LF

"KR" = T&R WITHOUT CAP WITH RETENTION FEATURE

Ø0.4±0.05 TYP

1.14 REF
0.2±0.03 TYP



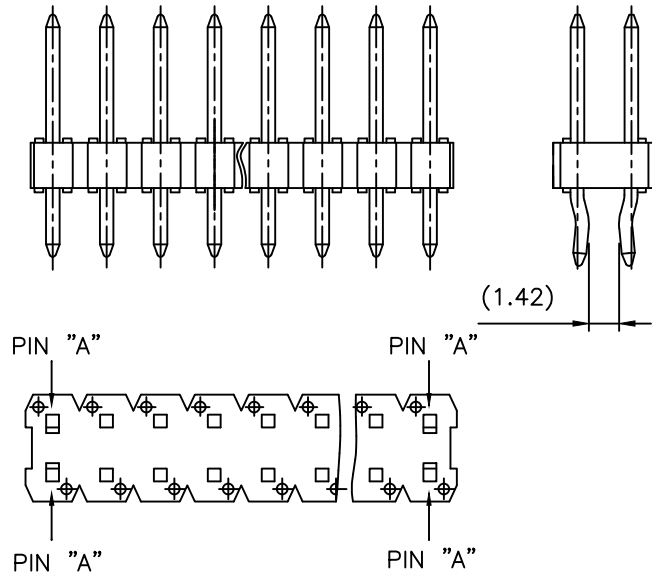
BERGSTRIK HEADER REEL PACKAGING DIMENSIONS

mat'l. code		surface		tolerance		projection		product family	
SEE NOTES		ISO 1302 ✓		ISO 406 ISO 1101		mm		BERGSTIK	
ltr	ecn no	dr	date	tolerances unless otherwise specified		mm		title	
BY	F-21455	AMA	15.07.20	.X ±0.3		mm		UNSHR.HEADER	
CA	F-22605	BVE	15.11.24	.XX ±0.15		mm		STR DR TMT	
CB	F-23186	AMA	16.02.01	.XXX ±0.05		scale 5:1		dwg no	
CC	F-23264	AMA	16.02.16	dr	D.LE	01.01.24		sheet 1 of 3	
CD	F-23581	AMA	16.03.22	engr	JM.C	01.01.24		size	
CE	F-24865	AMA	16.08.31	chr	JM.C	01.01.24		A3	
CF	B-26200	JCA	17.02.27	appd	JCO	01.01.24		type	
sheet	revision	CF	BK	C					
index	sheet	1	2	3					

PLATING

- 1 = 0.76µm GOLD/GXT ON CONTACT AREA, 2µm TIN MIN ON TAIL
- 4 = 2µm TIN MIN FULL PLATED
- 5 = 0.25µm GOLD/GXT ON CONTACT AREA, 2µm TIN MIN ON TAIL
- 8 = 0.38µm GOLD/GXT ON CONTACT AREA, 2µm TIN MIN ON TAIL
- G = 0.76µm FULL GXT
- S = 0.38µm FULL GXT
- T = 2µm TIN MIN FULL PLATED INCLUDED PIN TYP
 - 1.27µm NICKEL MIN UNDERLAYER FOR ALL PLATING VERSIONS

RETENTION OPTION



NOTES:

1. PART NUMBER 77313-YXXRXXLF
2. 4 PINS "A" USED FOR RETENTION
DIRECTION OF RETENTION SHOWN BY ARROWS
PIN "A" AT EACH END OF HEADER.
3. FOR RETENTION OPTION , SOLDER TAIL LENGTH TO BE
2.9 MIN UP TO 3.5 MAX.

PRODUCTS SPECIFICATIONS			
PIN STYLE	MATING	SOLDER	OAL
01	5.84	2.41	10.8
02	5.84	3.42	11.8
03	5.72	5.09	13.35
04	5.72	7.64	15.90
15	8.51	2.55	13.6
18	5.84	3.05	11.43
19	12.83	3.03	18.4
20	15.37	3.04	20.95
22	7.75	3.05	13.35
24	6.75	2.9	12.2
27	6.6	2.65	11.8
29	17.46	3.50	23.5
38	5.84	3.82	12.20
46	8.08	2.98	13.6
52	9.5	3.05	15.09
57	8.46	3.05	14.05
58	14.47	3.05	20.06
83	20.46	3.0	26.0
85	10.5	2.9	15.9
87	6.98	3.05	12.57

PRODUCTS SPECIFICATIONS			
PIN STYLE	MATING	SOLDER	OAL
89	6.93	5.00	14.47
90	6.75	4.05	13.34
91	5.60	10.21	18.4
92	5.65	12.76	20.95
93	6.00	4.81	13.35
94	9.65	2.90	15.09
95	8.90	3.60	15.09
96	20.83	3.05	26.42
97	14.70	3.70	20.95
98	6.00	6.00	14.47
99	8.05	2.25	12.8
AA	11.90	3.30	17.70
AB	7.00	1.50	11.00
AC	N/A		
AD	8.51	10.59	21.64
AE	3.30	3.30	9.14
AF	N/A		
AG	4.79	3.00	10.33
AH	2.67	3.43	8.64
AJ	8.00	8.00	18.54
AK	7.00	7.00	16.54
AL	5.90	1.60	10.05
AM	12.06	2.60	17.20
AN	11.50	1.90	15.94
AP	14.00	2.20	18.70
AR	8.96	2.10	13.60
AS	8.08	2.72	13.37

mat'l. code		surface <input checked="" type="checkbox"/> ISO 1302 <input type="checkbox"/> ISO 406 <input type="checkbox"/> ISO 1101		tolerance		projection		product family	
ltr		ecn no		dr		date		BERGSTIK	
BE		B-18917		LMU		14.09.26		title	
BF		B-19782		AMA		14.12.18		UNSHR.HEADER	
BG		B-20321		AMA		15.01.26		STR DR TMT	
BH		B-20596		AMA		15.03.30		dr	
BJ		F-21455		AMA		15.07.20		engr	
BK		F-22605		BVE		15.11.24		chr	
								appd	
sheet		revision							
index		sheet							
								product family	
								UNSHR.HEADER	
								STR DR TMT	
								dwg no	
								77313	
								sheet 2 of -	
								A3	
								type	
								CUSTOMER	
								Drawing	

1

2 3

4

5

6

PRODUCTS SPECIFICATIONS

PIN STYLE	MATING	SOLDER	OAL
AT	5.84	7.20	15.57
AU	10.95	3.05	16.55
AV	8.08	4.32	14.96
AW	8.08	3.81	14.43
AX	6.40	3.09	12.05
AY	5.08	2.79	10.40
BA	8.97	2.79	14.05
BB	6.48	3.05	12.05
BC	11.85	4.04	18.40
BD	26.00	3.05	31.55
BE	9.08	1.90	13.52

A

B

C

D

A

B

C

D



Copyright FCI

mat'l. code				surface		tolerance		projection		product family			
				ISO 1302 <input checked="" type="checkbox"/>		ISO 406 ISO 1101				BERGSTIK			
ltr ecn no dr date				tolerances unless otherwise specified						title			
A F-22605 BVE 15.11.24				angles		linear		mm		UNSHR.HEADER			
B F-23264 AMA 16.02.16										STR DR TMT			
C B-26200 JCA 17.02.27								scale N/A		dwg no sheet 3 of - size			
				dr		D.LE		01.01.24		77313 A3			
				enr		JM.C		01.01.24		FCI			
				chr		JM.C		01.01.24		type CUSTOMER Drawing			
				appd		JF.N		01.01.24					
sheet index		revision sheet											

1

2

5

6

Mouser Electronics

Authorized Distributor

Click to View Pricing, Inventory, Delivery & Lifecycle Information:

FCI / Amphenol:

[77313-101-44LF](#) [77313-101-68LF](#) [77313-102-44LF](#) [77313-102-46LF](#) [77313-102-52LF](#) [77313-102-54LF](#) [77313-102-56LF](#) [77313-102-58LF](#) [77313-102-60LF](#) [77313-102-62LF](#) [77313-102-66LF](#) [77313-102-68LF](#) [77313-102-70LF](#) [77313-122-18LF](#) [77313-122-28LF](#) [77313-122-38LF](#) [77313-122-42LF](#) [77313-122-46LF](#) [77313-122-48LF](#) [77313-122-52LF](#) [77313-122-54LF](#) [77313-122-56LF](#) [77313-122-58LF](#) [77313-122-62LF](#) [77313-122-66LF](#) [77313-122-68LF](#) [77313-122-70LF](#) [77313-124-38LF](#) [77313-124-42LF](#) [77313-124-48LF](#) [77313-124-54LF](#) [77313-124-56LF](#) [77313-124-58LF](#) [77313-124-62LF](#) [77313-124-66LF](#) [77313-124-68LF](#) [77313-124-70LF](#) [77313-127-36LF](#) [77313-127-42LF](#) [77313-127-44LF](#) [77313-127-48LF](#) [77313-127-50LF](#) [77313-127-52LF](#) [77313-127-56LF](#) [77313-127-58LF](#) [77313-127-60LF](#) [77313-127-62LF](#) [77313-127-66LF](#) [77313-127-68LF](#) [77313-127-70LF](#) [77313-158-56LF](#) [77313-190-08LF](#) [77313-401-36LF](#) [77313-402-16LF](#) [77313-427-08LF](#) [77313-427-10LF](#) [77313-427-14LF](#) [77313-427-16LF](#) [77313-801-32LF](#) [77313-801-36LF](#) [77313-801-38LF](#) [77313-801-44LF](#) [77313-801-52LF](#) [77313-801-54LF](#) [77313-801-56LF](#) [77313-801-58LF](#) [77313-801-60LF](#) [77313-801-62LF](#) [77313-801-64LF](#) [77313-801-68LF](#) [77313-801-70LF](#) [77313-802-18LF](#) [77313-802-38LF](#) [77313-802-40LF](#) [77313-802-42LF](#) [77313-802-46LF](#) [77313-802-48LF](#) [77313-802-50LF](#) [77313-802-54LF](#) [77313-802-56LF](#) [77313-802-58LF](#) [77313-802-62LF](#) [77313-802-64LF](#) [77313-802-68LF](#) [77313-802-70LF](#) [77313-818-18LF](#) [77313-818-22LF](#) [77313-818-28LF](#) [77313-818-34LF](#) [77313-818-38LF](#) [77313-818-42LF](#) [77313-818-44LF](#) [77313-818-48LF](#) [77313-818-52LF](#) [77313-818-54LF](#) [77313-818-56LF](#) [77313-818-58LF](#) [77313-818-60LF](#) [77313-818-62LF](#) [77313-818-66LF](#)