

Type of Screw and Gasket
see sheet 2, PN KEY

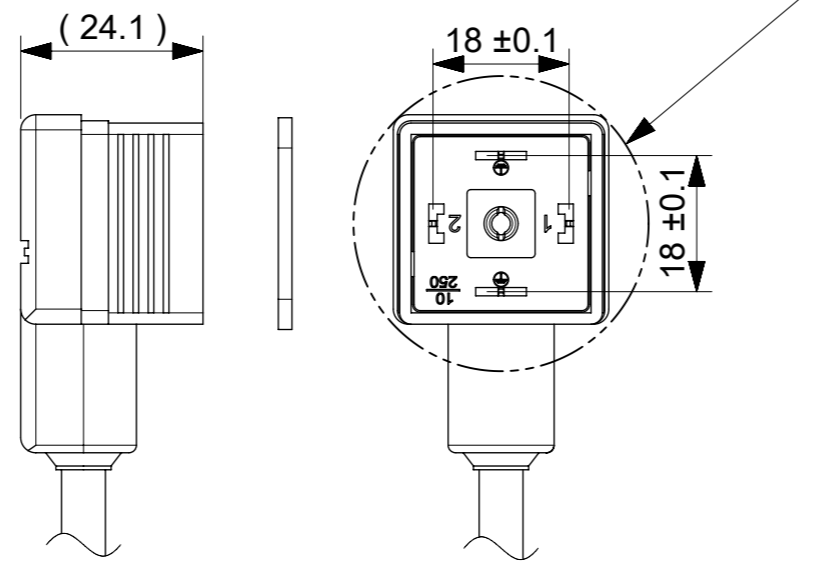
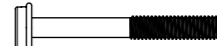


TABLE OF LENGTH TOLERANCES [mm]		
Over	Up to and Including	TOLERANCE
0	1000	±20
1000	3000	±30
3000	5000	±40
5000	10000	±50
10000	15000	±100
15000	20000	±150
20000		±L/100

INSERT ORIENTATION	
Housing 2 Poles + 2 Earths	Housing 3 Poles + 1 Earth
Earth H6/H12 E152XXXXXX1X	Earth H12 E152XXXXXX2X PIN 3 Not Used
Earth H3/H9 E152XXXXXX4X	Earth H3 E152XXXXXX3X PIN 3 Not Used
	Earth H6 E152XXXXXX6X PIN 3 Not Used
	Earth H9 E152XXXXXX9X PIN 3 Not Used

WIRING CONFIGURATION	
Housing 2 Poles + 2 Earths	Housing 3 Poles + 1 Earth
Brown(or Black 1) ○ ———— < 1	Brown(or Black 1) ○ ———— < 1
Blue(or Black 2) ○ ———— < 2	Blue(or Black 2) ○ ———— < 2
Green/Yellow ○ ———— < ⊕	Green/Yellow ○ ———— < ⊕
(or Black 3)	(or Black 3)
	Not Used ○ ———— < 3

Type of Screws and Gaskets

Profiled Gasket	Flat Gasket	Integrated Gasket	Screw M3x25
			Screw M3x27 + Washer
			NBR Washer

THIS DRAWING CONTAINS INFORMATION THAT IS PROPRIETARY TO MOLEX ELECTRONIC TECHNOLOGIES, LLC AND SHOULD NOT BE USED WITHOUT WRITTEN PERMISSION

QUALITY SYMBOLS	EC NO: 113606	DRWN: APAWLAK01	CHK'D: MIWASIECZKO	APPR: MIWASIECZKO	DATE: 2017/02/20	DATE: 2017/02/20	DIMENSION UNITS: MM	SCALE: 1:1		
FA = 0	GENERAL TOLERANCES (UNLESS SPECIFIED)			DRWN BY: APAWLAK01	DATE: 2017/02/07	DATE: 2017/02/07	DRWN BY: APAWLAK01	DATE: 2017/02/07		STANDARD E152 DIN FORM A EN 175301-803
FE = 0	ANGULAR TOL ± °			CHK'D BY:	DATE:	CHK'D BY:	DATE:	PRODUCT CUSTOMER DRAWING		
FF = 0	4 PLACES ±			APPR BY: MIWASIECZKO	DATE: 2017/02/20	APPR BY: MIWASIECZKO	DATE: 2017/02/20			
▼ = 0	3 PLACES ±			DRAFT WHERE APPLICABLE MUST REMAIN WITHIN DIMENSIONS		DRAWING SIZE: A3			MATERIAL NUMBER: SEE 1210400050 PDP	
∇ = 0	2 PLACES ±					THIRD ANGLE PROJECTION		CUSTOMER: GENERAL MARKET		
∇ = 0	1 PLACE ±							DOCUMENT NUMBER: 1210400050		
⊗ = 0	0 PLACES ±							DOC TYPE: PSD		
■ = 0								DOC PART: 000		
▽ = 0								SHEET NUMBER: 1 OF 2		

FORMAT: master-b-prod-A3
REVISION: 15
DATE: 2015/12/14

PN KEY - NUMERICAL CODE (Available parts see PART LIST table. Others parts available upon request).

E 1 5 2 X X X X X X X X

E - Packing without bags
W - Single Packing

Number of wires:
2 - 2 Wires + Earth

Cable type:
See Table

Head Colour:
G - Grey
N - Black
A - CSA-UL Black
B - CSA-UL Grey

Cable Length in [cm]
Examples:
050 = 50cm
300 = 300cm
10K = 1000cm


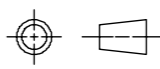
Earth PIN location (see insert orientation table):
1 = Double Earth on H6 & H12
2 = Earth on H12
3 = Earth on H3
4 = Double Earth on H3 & H9
6 = Earth on H6
9 = Earth on H9

Type of Gasket and Screw (see sheet 1):
1 = NBR Profile Gasket + Fixing Screw M3x25mm
2 = NBR Flat Gasket + Fixing Screw M3x25mm
3 = Silicone Profile Gasket + Fixing Screw M3x25mm
4 = Silicone Flat Gasket + Fixing Screw M3x25mm
P = NBR Integrated Gasket + Fixing Screw with Washer M3x27mm Assembled on Connector
R = NBR Integrated Gasket + Fixing Screw with Washer M3x27mm NOT Assembled on Connector
T = NBR Profile Gasket + Fixing Screw with Washer M3x27mm

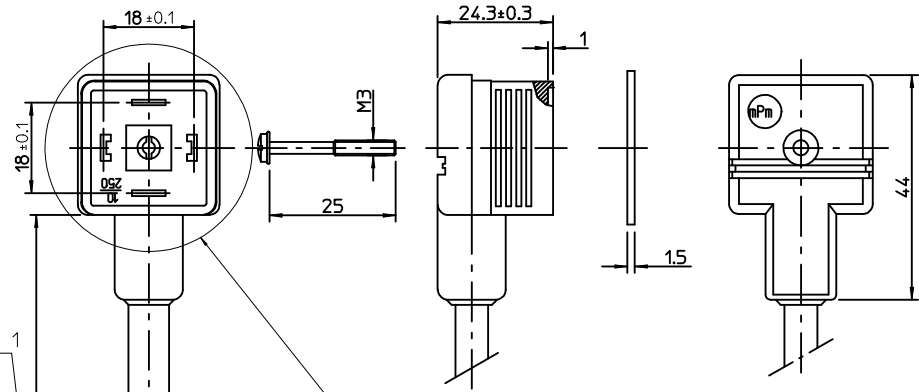
CABLE TYPE	NO. OF WIRES	CROSS SECTION	CABLE O.D.	CABLE JACKET	UL	CSA	STATIC: TEMP. / BENDING RADIUS	DYNAMIC: TEMP. / BENDING RADIUS	SHIELD
A2	3	AWG 20	5.6mm±0.2	PVC BLACK	UL 2661	CSA C22.2	-30°C to +105°C, 10xO.D.	-5°C to +105°C, 15xO.D.	-
A3	3	AWG 18	6.5mm±0.25	PVC BLACK	UL 2661	CSA C22.2	-30°C to +105°C, 10xO.D.	-5°C to +105°C, 15xO.D.	-
B2	3	AWG 20	5.6mm±0.2	PUR BLACK	UL 20668	CSA C22.2	-40°C to +90°C, 5xO.D.	-25°C to +90°C, 10xO.D.	-
B3	3	AWG 18	6.5mm±0.2	PUR BLACK	UL 20668	CSA C22.2	-40°C to +90°C, 5xO.D.	-25°C to +90°C, 10xO.D.	-
I0	3	1mm ²	7.6mm±0.2	PVC GREY	-	-	-25°C to +70°C, 10xO.D.	-5°C to +70°C, 15xO.D.	YES
I2	3	0.5mm ²	5.5mm+0.3	PVC GREY	-	-	-25°C to +70°C, 10xO.D.	-5°C to +70°C, 15xO.D.	-
I4	3	1mm ²	7.1mm+0.2	PVC GREY	-	-	-25°C to +70°C, 10xO.D.	-5°C to +70°C, 15xO.D.	-
N2	3	0.5mm ²	5.6mm±0.7	PVC BLACK	-	-	-20°C to +70°C, 3xO.D.	-15°C to +70°C, 5xO.D.	-
N3	3	0.75mm ²	6.8mm±0.8	PVC BLACK	-	-	-20°C to +70°C, 3xO.D.	-15°C to +70°C, 5xO.D.	-
N4	3	1mm ²	7.15mm±0.85	PVC BLACK	-	-	-20°C to +70°C, 3xO.D.	-15°C to +70°C, 5xO.D.	-
N5	3	1.5mm ²	8.4mm±1	PVC BLACK	-	-	-20°C to +70°C, 3xO.D.	-15°C to +70°C, 5xO.D.	-
P2	3	0.5mm ²	5.5mm+0.3	PUR BLACK	-	-	-40°C to +90°C, 7.5xO.D.	-15°C to +90°C, 12.5xO.D.	-
P3	3	0.75mm ²	6.5mm±0.2	PUR BLACK	-	-	-40°C to +90°C, 7.5xO.D.	-15°C to +90°C, 12.5xO.D.	-
R4	3	1mm ²	7.1mm±0.2	TPR HF BLACK	-	-	-	-	-
Y3	3	0.75mm ²	6.5mm±0.2	SILICONE RED	-	-	-60°C to +180°C, 15xO.D.	-	-

Notes:

1. Please see excel sheet 1210400050_PDP for currently configured part numbers.

<p>QUALITY SYMBOLS</p> <p>FA = 0</p> <p>FE = 0</p> <p>FB = 0</p> <p>▼ = 0</p> <p>∇ = 0</p> <p>⊗ = 0</p> <p>■ = 0</p> <p>▽ = 0</p>	THIS DRAWING CONTAINS INFORMATION THAT IS PROPRIETARY TO MOLEX ELECTRONIC TECHNOLOGIES, LLC AND SHOULD NOT BE USED WITHOUT WRITTEN PERMISSION										
	<p>2017/02/07</p> <p>2017/02/20</p> <p>EC NO: 113606</p> <p>DRWN: APAWLAK01</p> <p>CHK'D: MIWASIECZKO</p> <p>APP'R: MIWASIECZKO</p>	GENERAL TOLERANCES (UNLESS SPECIFIED)		DIMENSION UNITS	SCALE	 <p>STANDARD E152 DIN FORM A EN 175301-803</p>					
		ANGULAR TOL ± °		MM	1:1						
		4 PLACES ±	APAWLAK01		DATE						2017/02/07
		3 PLACES ±	CHK'D BY		DATE						
		2 PLACES ±	APPR BY		DATE						
	1 PLACE ±	MIWASIECZKO		DATE	2017/02/20	PRODUCT CUSTOMER DRAWING					
	0 PLACES ±	DRAFT WHERE APPLICABLE MUST REMAIN WITHIN DIMENSIONS		DRAWING SIZE	THIRD ANGLE PROJECTION	SERIES	MATERIAL NUMBER	CUSTOMER			
	A3				121040	SEE 1210400050 PDP	GENERAL MARKET				
					DOCUMENT NUMBER	DOC TYPE	DOC PART	SHEET NUMBER			
				1210400050	PSD	000	2 OF 2				

10 9 8 7 6 5 4 3 2 1



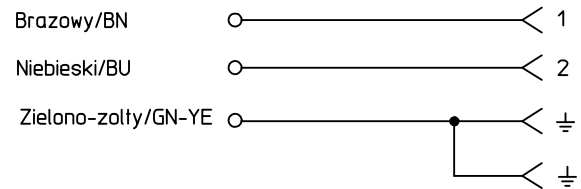
PATRZ UWAGA 1
SEE NOTE 1

Patrz Orientacja obudowy/See insert orientation

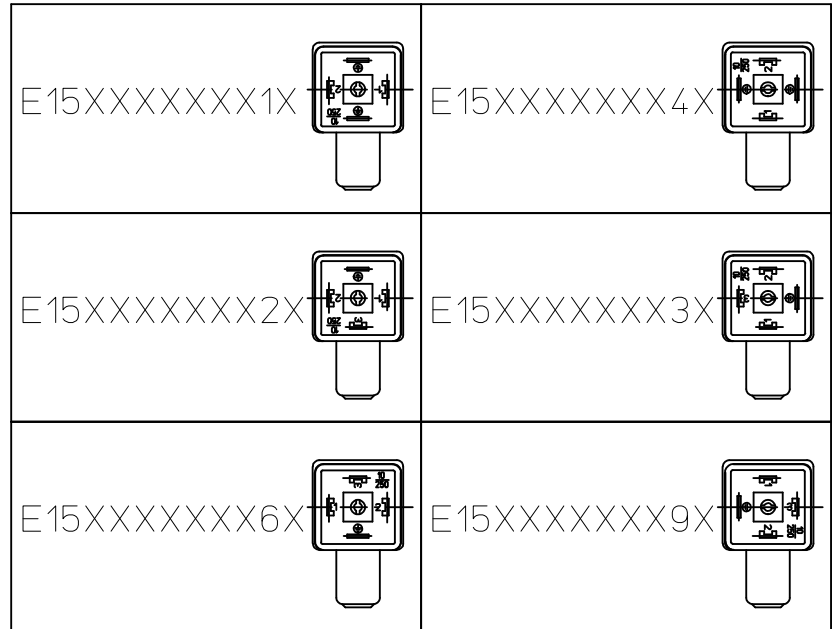
CYNOWAC
TINNED

Table of length tolerances/ Tablica tolerancji dlugosci mm		
Over/Od	Up to and including/ Do-wlacznie	Tolerance/Tolerancja
100	1000	±20
1000	3000	±30
3000	5000	±40
5000	10000	±50
10000	15000	±100
15000	20000	±150
20000		±L/100

SCHEMAT POLACZEN/WIRING CONFIGURATION



Orientacja obudowy/Insert orientation



UWAGI:

1. DLUGOSC PATRZ ARKUSZ 2.

NOTES:

1. LENGTH SEE SHEET 2.

REMOVING LABEL EC NO: WEU2009-0464 DRWIN: MWOLSZCZAK 2009/06/24 CHYKD: MDABROWSKA 2009/06/25 APPR: GOGRODNIK 2009/08/04	QUALITY SYMBOLS ▽=0 ◻=0	GENERAL TOLERANCES (UNLESS SPECIFIED) mm INCH 4 PLACES ± --- ± --- 3 PLACES ± --- ± --- 2 PLACES ± --- ± --- 1 PLACE ± --- ± --- ANGULAR ± ---°	DIMENSION STYLE MM ONLY DRAWN BY DATE MLEVYTSKY 2009/01/21 CHECKED BY DATE MDABROWSKA 2009/01/21 APPROVED BY DATE MWOLSZCZAK 2009/01/21	SCALE --- DESIGN UNITS METRIC FIRST ANGLE PROJECTION	TITLE MPM E152XXXXXXXXX	
	DRAFT WHERE APPLICABLE MUST REMAIN WITHIN DIMENSIONS		SEE DRAWING	MATERIAL NO. MOLEX INCORPORATED	DOCUMENT NO. E152XXXXXXXXX	SHEET NO. 1 OF 4
	THIS DRAWING CONTAINS INFORMATION THAT IS PROPRIETARY TO MOLEX INCORPORATED AND SHOULD NOT BE USED WITHOUT WRITTEN PERMISSION					
	SIZE A3					

9 8 7 6 5 4 3 2 1