

Tous droits strictement réservés. Reproduction ou communication à des tiers interdite sous quelque forme que ce soit sans autorisation écrite du propriétaire. Propriété de c.FCI. Droits de reproduction FCI.

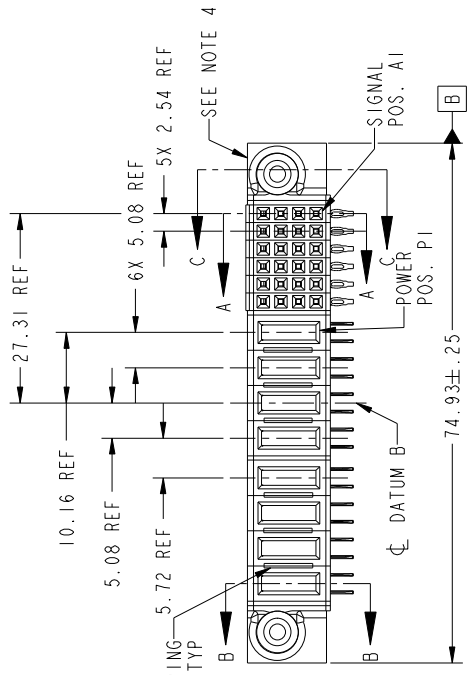
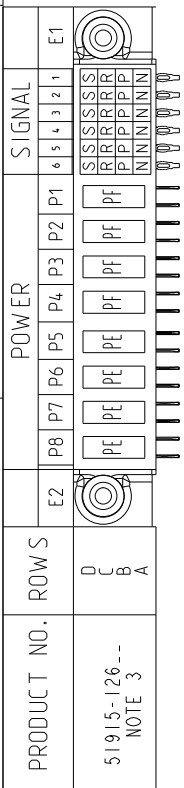


All rights strictly reserved. Reproduction or issue to third parties in any form whatsoever is not permitted without written authority from the proprietor. Property of FCI. Copyright FCI.

1 | 2

3

4



A

B

CODE	DIM "M" MATING LENGTH	CONTACT TYPE
S	[N/A]	SIGNAL
R	[N/A]	SIGNAL
P	[N/A]	SIGNAL
N	[N/A]	SIGNAL
PF	[2.34]	POWER
PE	[1.07]	POWER

mat'l code		SEE NOTE 2		tolerances unless otherwise specified		CUSTOMER		FCI	
ltr	ecn no.	dr	date			projection	copy	title	www.fciconnect.com
A	D607-0120	JMG	03/30/07	linear	0.X ± 0.3	⊕	COPY	R/A PRESS-FIT RECEPTACLE	
				angles	0.XX ± 0.13			product family	24S + 8P
					0.XXX ± 0.051			size	R/A PRESS-FIT RECEPTACLE
					0° ± 2°			product family	PwrBI code
								dwg no	213
								scale	1:1
								sheet	1 of 4
sheet index	revision	A	A	A	A	A	A	code	22526
	sheet	1	2	3	4			code	22526

1 | 2

3

4

Pro/E

PRODUCT NUMBER
51915-126--
NOTE 3

Tous droits strictement réservés. Reproduction ou communication a des tiers interdite sous quelque forme que ce soit sans autorisation écrite du propriétaire. Propriete de c.FCI. Droits de reproduction FCI.

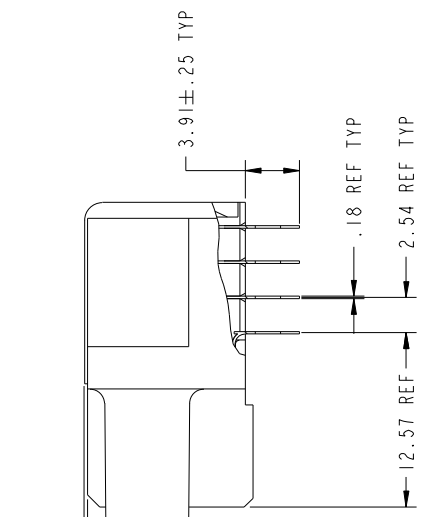


All rights strictly reserved. Reproduction or issue to third parties in any form whatever is not permitted. Copyright FCI.

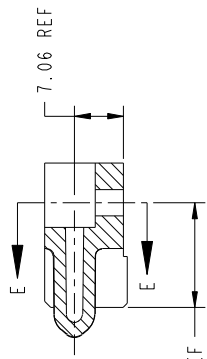
1 | 2

3 |

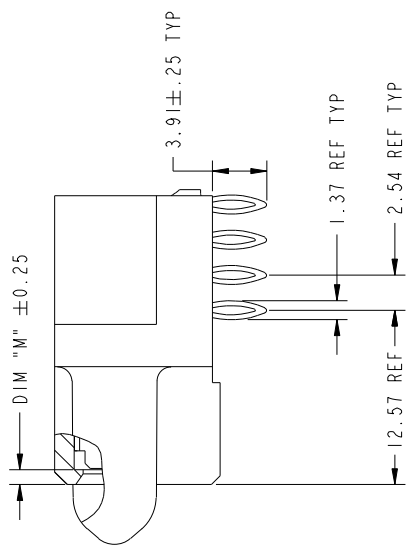
4



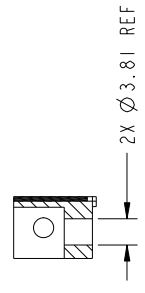
BROKEN-OUT SECTION A-A
SCALE 2:1



SECTION C-C



BROKEN-OUT SECTION B-B
SCALE 2:1



PARTIAL SECTION E-E

mat'l code		SEE NOTE 2		tolerances unless otherwise specified		CUSTOMER		FCI		www.fciconnect.com	
lir	ecn no.	dr	date	linear	angles	dr	engr	chr	appd	projection	title
A				0.X ± 0.3	0° ± 2°	JM GUO	RYAN YUAN	GARY HSIEH	JOSEPH HSIA	⊕	24S + 8P R/A PRESS-FIT RECEPTACLE
						03/30/07	03/30/07	03/30/07	03/30/07	MM	product family
											PwrBl code
											size
											213
											sheet
											2 of 4
sheet index	revision	sheet									A
											51915-126
											22526
											cage code
											4

1 | 2

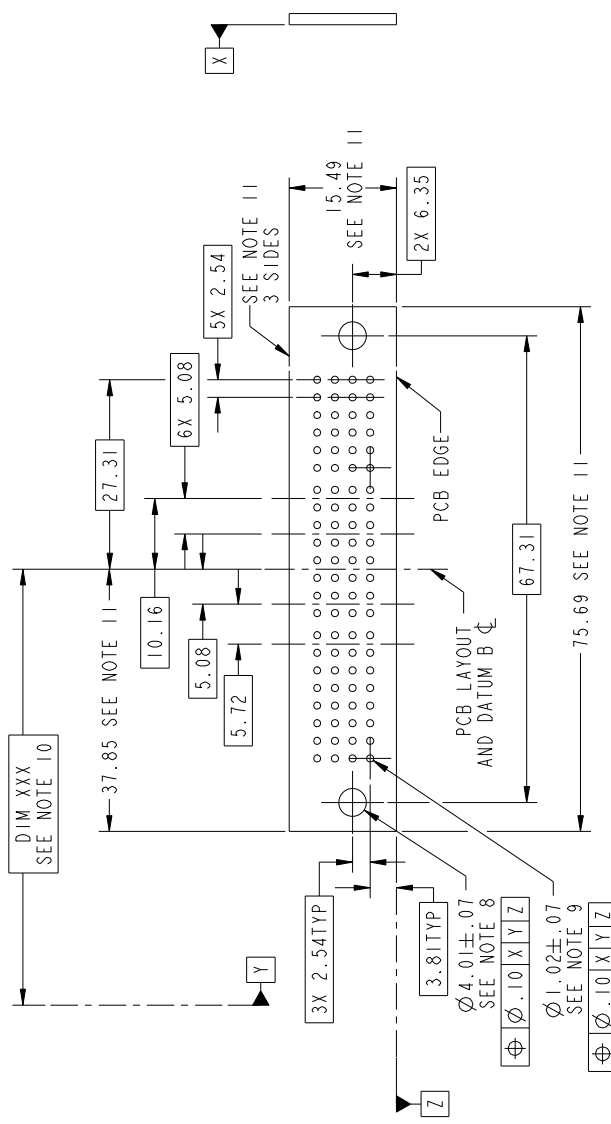
3 |

4

Pro/E

PRODUCT NUMBER
51915-126--
NOTE 3

Tous droits strictement réservés. Reproduction ou communication à des tiers interdite sous quelque forme que ce soit sans autorisation écrite du propriétaire. Property of FCI. Copyright FCI. All rights reserved. Reproduction or issue to third parties in any form whatever is not permitted without written authority from the proprietor.



mat'l code		SEE NOTE		tolerances unless otherwise specified		CUSTOMER		FCI	
ltr	ecrn no.	dr	date	linear	angles	projection	copy	title	www.fciconnect.com
A				0.X ±0.13	0° ±2°	MM	CPY	R/A PRESS-FIT RECEPTACLE	
				JM GUO 03/30/07	enr	RYAN YUAN 03/30/07		product family	24S + 8P
				GARY HSIEH 03/30/07	chr	JOSEPH HSIA 03/30/07		dwg no	51915-126
					appd			size	A
								product family	PwrBlade
								code	213
								sheet	3 of 4
								scale	1:1
sheet index	revision	sheet						code	22526
								code	22526

Pro/E 3 4

1 | 2

3

4

PRODUCT NUMBER
51915-126--
NOTE 3

NOTES:

1. DIMENSIONS AND TOLERANCES ARE IN ACCORDANCE WITH ASME Y14.5M, 1994 UNLESS OTHERWISE SPECIFIED.

CONNECTOR NOTES:

2. HOUSING MATERIAL: UL 94 V-0 GLASS FILLED HIGH-TEMP THERMOPLASTIC
 POWER CONTACT MATERIAL: COPPER ALLOY
 SIGNAL PIN MATERIAL: COPPER ALLOY

3. PLATING: 51915-126, 51915-126LF PLATING SPEC. WAS SHOWN IN THE PRINT OF 10064183.

4. MANUFACTURER'S NAME, P/N, AND DATE CODE TO APPEAR ON THIS SURFACE.

5. PRODUCT SPECIFICATION GS-12-149 APPLICATION SPECIFICATION BUS-20-067.

6. PACKAGED IN TRAYS.

PCB NOTES:

7. ALL HOLE DIAMETERS ARE FINISHED HOLE SIZE.

8. MOUNTING HOLES, WHERE APPLICABLE, ARE UNPLATED.

9. $\varnothing 1.151 \pm 0.025$ DRILLED HOLES PLATED WITH 0.008 MIN SnPb OR Sn OVER 0.03 TO 0.08 Cu PLATING TO ACHIEVE $\varnothing 1.02 \pm 0.07$ HOLE.

10. "DIM XXX" TO BE DETERMINED BY THE CUSTOMER.

11. CONNECTOR KEEP-OUT ZONE.

12. USE FCI CAM TOOL 430140-XXX TO APPLY CONNECTOR TO PCB.

Tous droits strictement réservés. Reproduction ou communication à des tiers interdite sous quelque forme que ce soit sans autorisation écrite du propriétaire.



All rights strictly reserved. Reproduction or issue to third parties in any form whatever is not permitted without written authority from the proprietor.

mat'l code		SEE NOTE 2		tolerances unless otherwise specified		CUSTOMER		FCI		www.fciconnect.com	
ltr	ecn no.	dr	date	linear	angles	projection	copy	title	product family	PwrBl code	code
A				0.X ± 0.3	0° ± 2°	MM		R/A PRESS-FIT RECEPTACLE	24S + 8P		213
				0.XXX ± 0.13					size		sheet
									A	51915-126	4 of 4
									scale	1:1	
									sheet		
									revision		
									sheet		
									index		
									Pro/E		
									3		
									cage code	22526	4

1 | 2

3

4