

# CR Series Round Single Pole Specialty Rocker Switches

## Features/Benefits

- Round actuator and body
- Nice styling
- Multiple illuminated versions available
- IP65 splash proof rubber boot option

## Typical Applications

- Appliances, small and large
- Office equipment
- Computers and peripherals
- Audio/Video equipment
- RoHS compliant



**UL** US UL 61058-1

## Specifications

### CONTACT RATING:

16 AMPS @ 125 VAC, 10 AMPS @ 250 VAC.

16 AMPS @ 125 VAC, 10 AMPS @ 250 VAC.

ELECTRICAL LIFE: 10,000 make and break cycles at full load.

INSULATION RESISTANCE:  $10^8 \Omega$  min.

DIELECTRIC STRENGTH: 1,500 VRMS @ sea level.

OPERATING TEMPERATURE: -20°C to + 85°C

## Materials

HOUSING AND ACTUATOR: 6/6 nylon (UL94V-2), matte finish.

ILLUMINATED ACTUATOR: Polycarbonate, matte finish.

CENTER CONTACTS: Silver plated, copper alloy.

END CONTACTS: Silver plated AgSnO<sub>2</sub>InO<sub>3</sub>.

ALL TERMINALS: Silver plated, copper alloy.

**NOTE:** Specifications and materials listed above are for switches with standard options. For information on specific and custom switches, consult Customer Service Center.

## Build-A-Switch

To order, simply select desired option from each category and place in the appropriate box. Available options are shown and described on pages G-78 through G-80. For additional options not shown in catalog, consult Customer Service Center.

<b>Switch Function</b>							
<b>CR101</b> SPDT On-None-On							
<b>CR102</b> SPST On-None-Off							
<b>Actuator</b>							
<b>J1</b> Rocker							
<b>J2*</b> Two-tone rocker							
<b>J3</b> Illuminated rocker							
<b>J4**</b> Circle, illuminated rocker							
<b>J5</b> Oval, illuminated rocker							
<b>JN</b> Paddle, rocker							
<b>JP</b> Paddle, illuminated rocker							
<b>Actuator Color</b>							
<b>2</b> Black							
<b>1</b> White							
<b>3</b> Red							
<b>R</b> Red, illuminated							
<b>A</b> Amber, illuminated							
<b>G</b> Green, illuminated							
<b>Mounting Style/Color</b>							
<b>S2</b> Snap-in, black							
<b>S1</b> Snap-in, white							
<b>Termination</b>							
<b>15</b> .187" quick connect							
<b>Contact Rating</b>							
<b>QF</b> Silver							
<b>Lamp Rating</b>							
<b>(NONE)</b> No lamp							
<b>6</b> LED							
<b>7</b> 125 VAC neon							
<b>8</b> 250 VAC neon							

\* Refer to table on page G-79 for actuator options.

Rocker



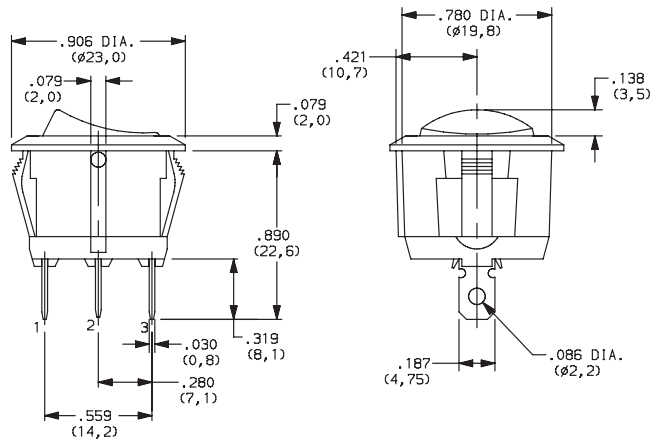
Dimensions are shown: Inches (mm)  
Specifications and dimensions subject to change

# CR Series Round Single Pole Specialty Rocker Switches

## SWITCH FUNCTION



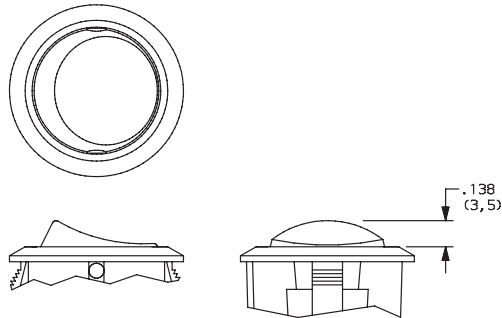
NO. POLES	MODEL NO.	SWITCH FUNCTION			CONNECTED TERMINALS			SCHEMATIC
		Pos. 1	Pos. 2	Pos. 3	Pos. 1	Pos. 2	Pos. 3	
	<b>CR101</b>	ON	NONE	ON	2-3		2-1	
	<b>CR102</b>	ON	NONE	OFF		N/A		 For 7 & 8 Illuminated Versions



## ACTUATOR

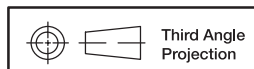
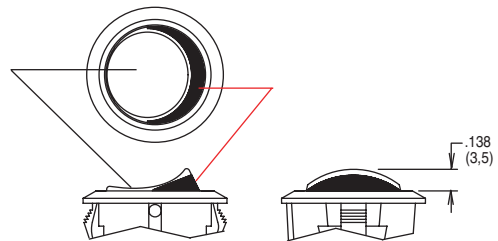


- J1** ROCKER
- J3** ILLUMINATED ROCKER



**NOTE:** J3 actuator available with the combination of 7 & 8 lamp ratings and CR102 switch function only.

- J2** TWO-TONE ROCKER



Dimensions are shown: Inches (mm)  
Specifications and dimensions subject to change

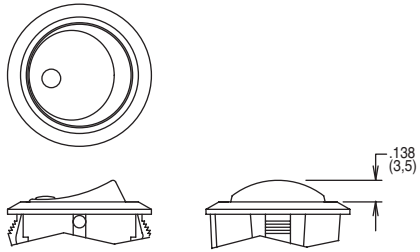


# Round Single Pole Specialty Rocker Switches

## ACTUATOR

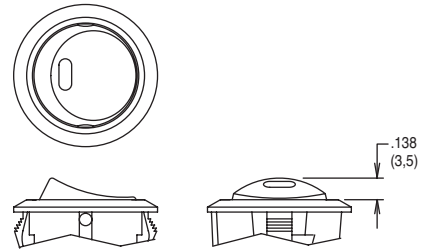


**J4** CIRCLE, ILLUMINATED ROCKER



**NOTE:** Available with the combination of CR102 switch function and 7 & 8 lamp ratings only.

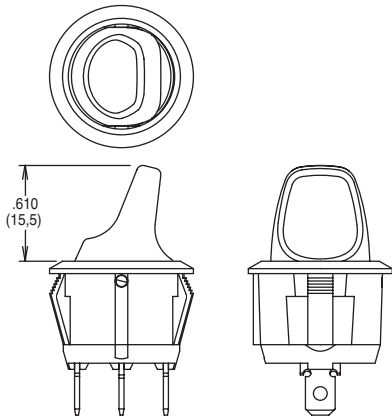
**J5** OVAL, ILLUMINATED ROCKER



**NOTE:** Available with the combination of CR102 switch function and 6 lamp rating only.

**JN** PADDLE, ROCKER

**JP** PADDLE, ILLUMINATED ROCKER



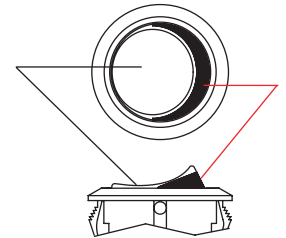
**NOTE:** JP actuator available with the combination of CR102 switch function and 7 & 8 lamp ratings only.

## ACTUATOR COLOR



ACTUATOR	OPTION CODE	ACTUATOR COLOR
<b>J1</b>	<b>2</b>	BLACK
	<b>1</b>	WHITE
	<b>3</b>	RED
<b>J3, J4, J5, JP</b>	<b>R</b>	RED, ILLUMINATED
	<b>A</b>	AMBER, ILLUMINATED
	<b>G</b>	GREEN, ILLUMINATED

ACTUATOR	OPTION CODE	ACTUATOR COLOR	
		TOP	BOTTOM
<b>J2</b>	<b>1</b>	WHITE	RED
	<b>2</b>	WHITE	BLACK
	<b>3</b>	RED	WHITE
	<b>4</b>	BLACK	WHITE
	<b>5</b>	BLACK	RED



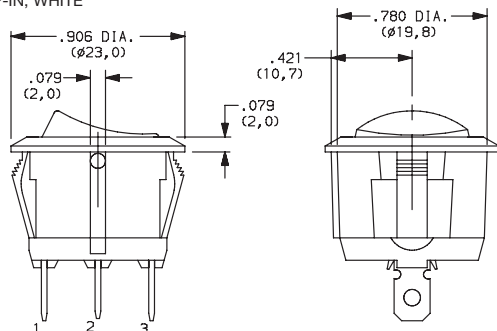
J2 actuator only

## MOUNTING STYLE/COLOR

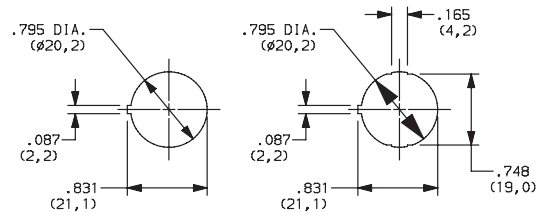


**S2** SNAP-IN, BLACK

**S1** SNAP-IN, WHITE



### PANEL MOUNTING



Panel thickness:  
2.0 - 3.0 mm

Panel thickness:  
0.7 - 3.0 mm



Dimensions are shown: Inches (mm)

Specifications and dimensions subject to change

Rocker

G

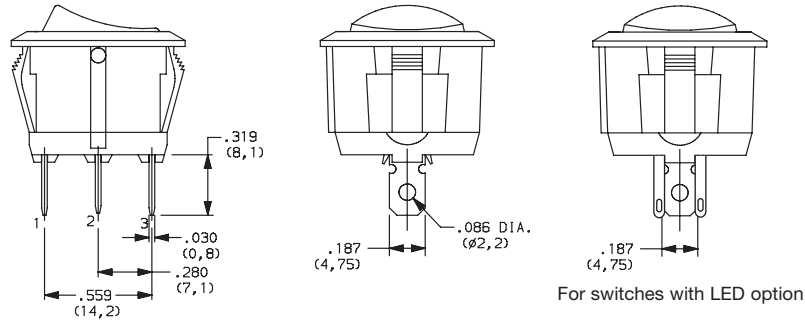


# CR Series Round Single Pole Specialty Rocker Switches

## TERMINATION



**15** .187" QUICK CONNECT



## CONTACT MATERIAL



OPTION CODE	CONTACT AND TERMINAL MATERIAL	RATINGS	
		<b>QF</b>	SILVER

\* Note: See Technical Data section of this catalog for RoHS compliant and compatible definitions and specifications.

## LAMP RATING



**(NONE)** NO LAMP

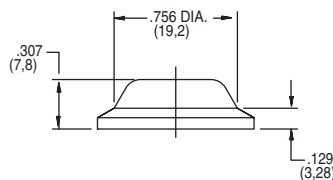
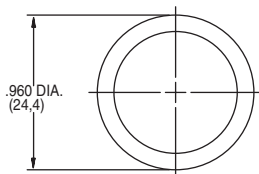
**6** LED RATING @ 10 mA  $V_f=1.85V$

**7** 125 VAC 33kΩ NEON

**8** 250 VAC 150kΩ NEON

## ACCESSORIES

**377C00000** IP65 SPLASH PROOF RUBBER BOOT



Dimensions are shown: Inches (mm)  
Specifications and dimensions subject to change

