

Data sheet

Art.No.: 92.933.0053.1

Connector GST18I3F B2 ZR1 SW

GST18i3 connector, 3 pole, female with spring force connection, coding mains 250 V, 20 A, coding color black, strain relief color black



Art.No.	92.933.0053.1
EAN	4015573402546
Order Unit	1

Certificates / Approvals



Technical data

General

Rated current	20 A
Rated voltage	250 V
Rated impulse voltage	4 kV
strain relief	Yes
Pollution degree	2
Mechanical coding	Code 1
Lockable	self-locking (unlocking by tool)
Color of coding/ contact carrier	black
Marking of poles	L, N, PE
Color of housing inclusive strain relief	black

Connection Data

Cable diameter max.	10.3 mm
Cable diameter min.	7.8 mm
Connection cross section solid mm ² max.	2.5 mm ²
Connection cross section solid mm ² min.	0.75 mm ²
Connection cross section fine stranded mm ² max.	1.5 mm ²
Connection cross section fine stranded mm ² min.	0.75 mm ²
Terminations per pole	2
sheath strip length	45 mm
Wire strip length	9 mm

Model

Model	female
Connection type	Spring clamp connection
Degree of protection (IP)	IP20
Remark to type of connection	fine- and multi stranded wires require a ferrule or a ultra sonically compacting

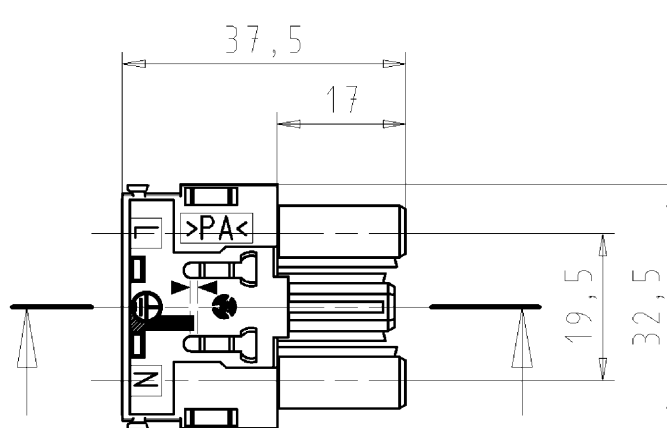
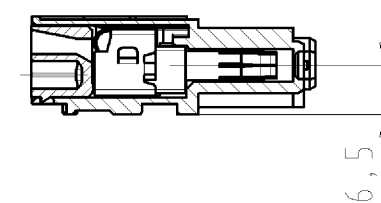
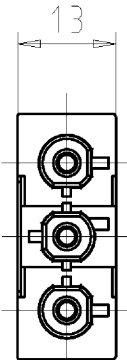
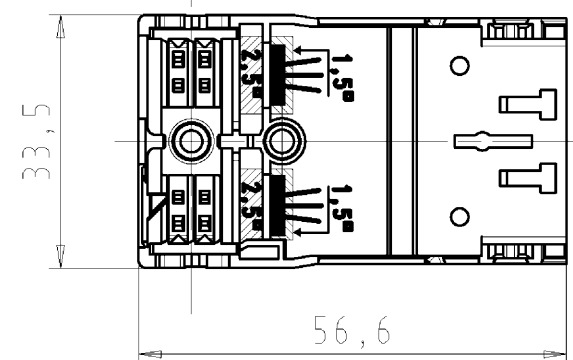
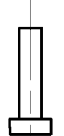
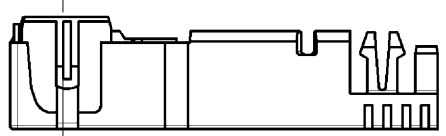
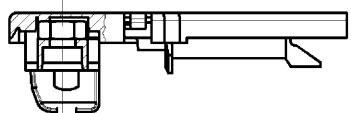
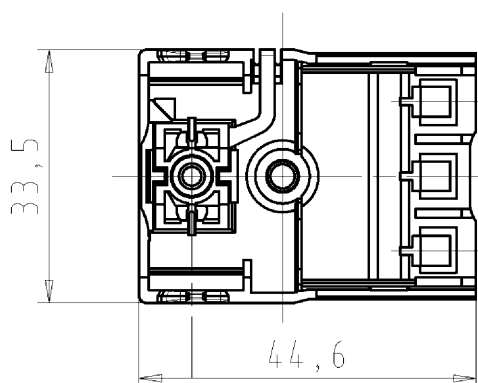
Housing material	Polyamide
halogen free	Yes
Contact material	CuZn
Fire load	0.12 kWh
Insulation components continuous temperature	100 °C
Surface finish	Tin-plated

Dimensions

Length	75 mm
Width	32.5 mm
Height	15.5 mm

Classification

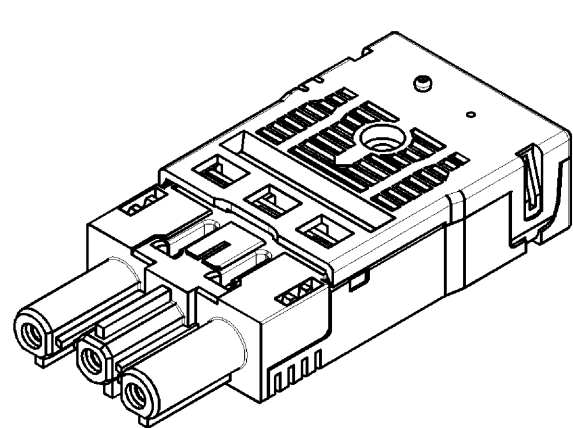
ECLASS 8.1	27440605
ETIM 7.0	EC002560
ETIM 6.0	EC002560
ETIM 5.0	EC002560
ETIM 4.0	EC002560



Weitere Daten siehe Katalog
further data see catalog

Typ / type: GST18I3F B2 ZR1 WS/SW/TR

Teile - Nr. part no.	Farbe colour
92.933.0053.0	weiß / white
92.933.0053.1	schwarz / black
92.933.0053.5	tomatenrot / tomato red



Tolerierung Size ISO 14405/Tolerance system Size ISO 14405. (This ISO-standard describes the envelope principle. According to the envelope principle the deviations of form and parallelism are limited by the size tolerances).		ja/yes <input checked="" type="checkbox"/> Stoffverbots- und Deklarationsliste nach UU-TOM-05/03 ist einzuhalten. Conformity with Wieland document UU-TOM-05/03 (list of prohibited / declarable hazardous substances) to be declared!	
Freitoleranz nach - General tolerance		CAD - Zeichnung, keine manuellen Änderungen CAD - drawing, no manual modifications allowed	1. Verwendung: - First Use:
Blatt: 1 von 1 Sheet: of		Zeichnung Nr./Drawing No. Index	
T 92.933.0053.0 01K a		Maße in mm/Dimensions are in mm	
Ersatz für/Replacement for: - gleiche Zchnng. / some drawing v. 08.12.98 m. Index c v. 16.07.99		Type	
Benennung/Tittle female connector with strain relief		BUCHSENTE IL MIT ZUGENTLASTUNG	
m. Federkraftanschl./ with spring clamp connection		ⓐ 250V AC, 20A, 2,5qmm	

These dimensions will be especially checked at delivery
Only inspection dimensions
With /E marked dimensions are only valid for internal use

Diese Maße werden bei Abnahme besonders geprüft
Ausschließlich Prüfmaße
Mit /E gekennzeichnete Maße sind nur für interne Zwecke gültig

Weitergabe sowie Vervielfältigung dieses Dokuments, Verwertung und Mitteilung seines Inhalts sind verboten, soweit nicht ausdrücklich gestattet.
The reproduction, distribution and utilization of this document as well as the communication of its contents to others without express authorization is prohibited.

929330053001K_2 CADW5027 Duesch 2014-02-03T08:41:13 1.000