



# BAS21WS

## High Voltage Switching Diode

### Features

- Halogen free available upon request by adding suffix "-HF"
- For Surface Mount Application.
- Device Marking: JS
- Epoxy meets UL 94 V-0 flammability rating
- Moisture Sensitivity Level 1
- For Surface Mount Application.
- Lead Free Finish/RoHS Compliant("P" Suffix designates RoHS Compliant. See ordering information)

### Maximum Ratings

Symbol	Rating	Value	Unit
$V_R$	Continuous Reverse Voltage	250	Vdc
$I_F$	Peak Forward Current	200	mAdc
$I_{FM(surge)}$	Peak Forward Surge Current	625	mAdc

### Thermal Characteristics

Symbol	Characteristic	Max	Unit
$P_D$	Total Device Dissipation FR-5 Board *, $T_A=25^\circ\text{C}$ Derate above $25^\circ\text{C}$	200 1.57	mW mW/ $^\circ\text{C}$
$R_{JA}$	Thermal Resistance Junction to Ambient	635	$^\circ\text{C}/\text{W}$
$T_J, T_{STG}$	Junction and Storage Temperature Range	-55 to +155	$^\circ\text{C}$

### Electrical Characteristics @ 25°C Unless Otherwise Specified

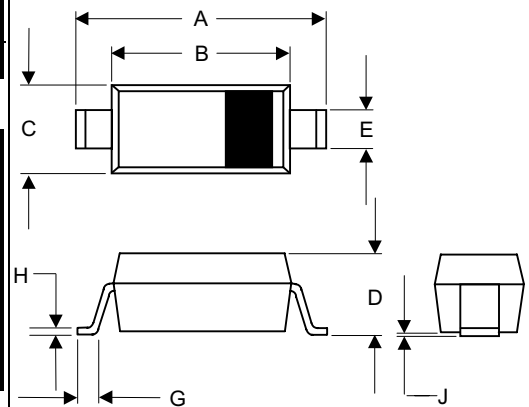
Symbol	Characteristic	Min	Max	Unit
--------	----------------	-----	-----	------

### Off Characteristics

$I_R$	Reverse Voltage Leakage Current ( $V_R=200\text{Vdc}$ ) ( $V_R=200\text{Vdc}, T_J=150^\circ\text{C}$ )	---	0.1 100	$\mu\text{Adc}$
$V_{(BR)}$	Reverse Breakdown Voltage ( $I_{BR}=100\mu\text{Adc}$ )	250	---	Vdc
$V_F$	Forward Voltage ( $I_F=100\text{mAdc}$ ) ( $I_F=200\text{mAdc}$ )	---	1000 1250	mVdc
$C_D$	Diode Capacitance ( $V_R=0, f=1.0\text{MHz}$ )	---	5.0	pF
trr	Reverse Recovery Time ( $I_F=I_R=30\text{mAdc}, R_L=100\text{OHM}$ )	---	50	ns

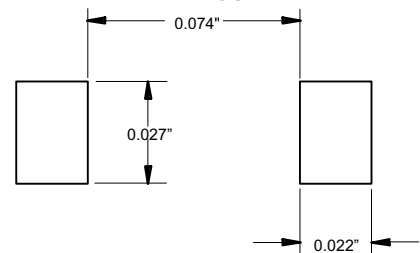
\*FR-5 Minimum Pad

### SOD-323



DIM	DIMENSIONS				NOTE
	INCHES		MM		
	MIN	MAX	MIN	MAX	
A	.090	.107	2.30	2.70	
B	.063	.071	1.60	1.80	
C	.045	.053	1.15	1.35	
D	.031	.045	0.80	1.15	
E	.010	.016	0.25	0.40	
G	.004	.018	0.10	0.45	
H	.004	.010	0.10	0.25	
J	----	.006	----	0.15	

### SUGGESTED SOLDER PAD LAYOUT





Micro Commercial Components

### Ordering Information :

Device	Packing
Part Number-TP	Tape&Reel: 3Kpcs/Reel

Note : Adding "-HF" suffix for halogen free, eg. Part Number-TP-HF

#### \*\*\*IMPORTANT NOTICE\*\*\*

**Micro Commercial Components Corp.** reserves the right to make changes without further notice to any product herein to make corrections, modifications , enhancements , improvements , or other changes . **Micro Commercial Components Corp .** does not assume any liability arising out of the application or use of any product described herein; neither does it convey any license under its patent rights ,nor the rights of others . The user of products in such applications shall assume all risks of such use and will agree to hold **Micro Commercial Components Corp .** and all the companies whose products are represented on our website, harmless against all damages.

#### \*\*\*LIFE SUPPORT\*\*\*

MCC's products are not authorized for use as critical components in life support devices or systems without the express written approval of Micro Commercial Components Corporation.

#### \*\*\*CUSTOMER AWARENESS\*\*\*

Counterfeiting of semiconductor parts is a growing problem in the industry. Micro Commercial Components (MCC) is taking strong measures to protect ourselves and our customers from the proliferation of counterfeit parts. MCC strongly encourages customers to purchase MCC parts either directly from MCC or from Authorized MCC Distributors who are listed by country on our web page cited below. Products customers buy either from MCC directly or from Authorized MCC Distributors are genuine parts, have full traceability, meet MCC's quality standards for handling and storage. **MCC will not provide any warranty coverage or other assistance for parts bought from Unauthorized Sources.** MCC is committed to combat this global problem and encourage our customers to do their part in stopping this practice by buying direct or from authorized distributors.