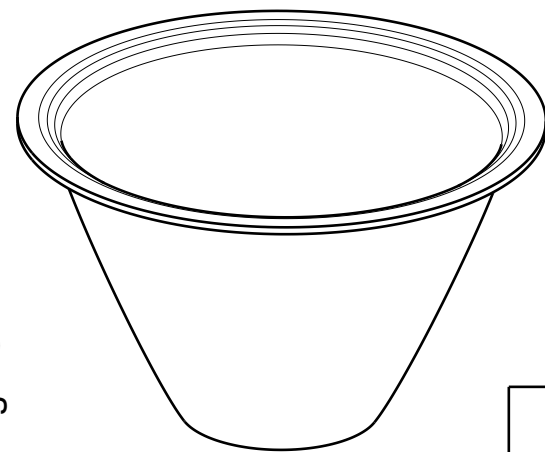
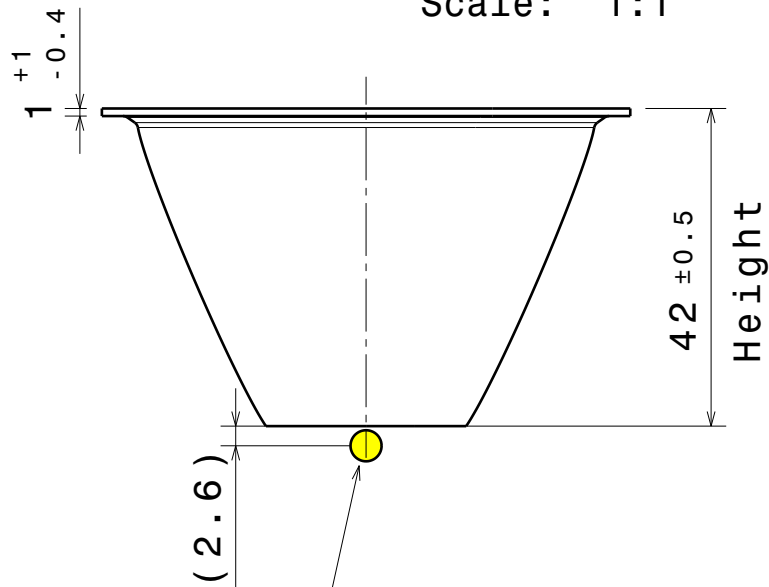


Isometric view  
Scale: 1:1

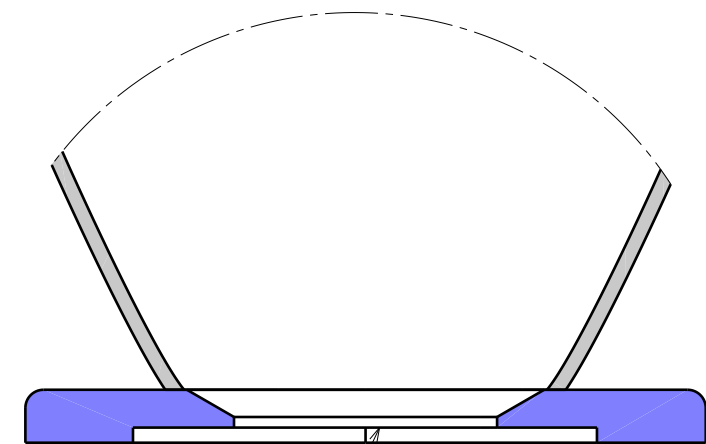
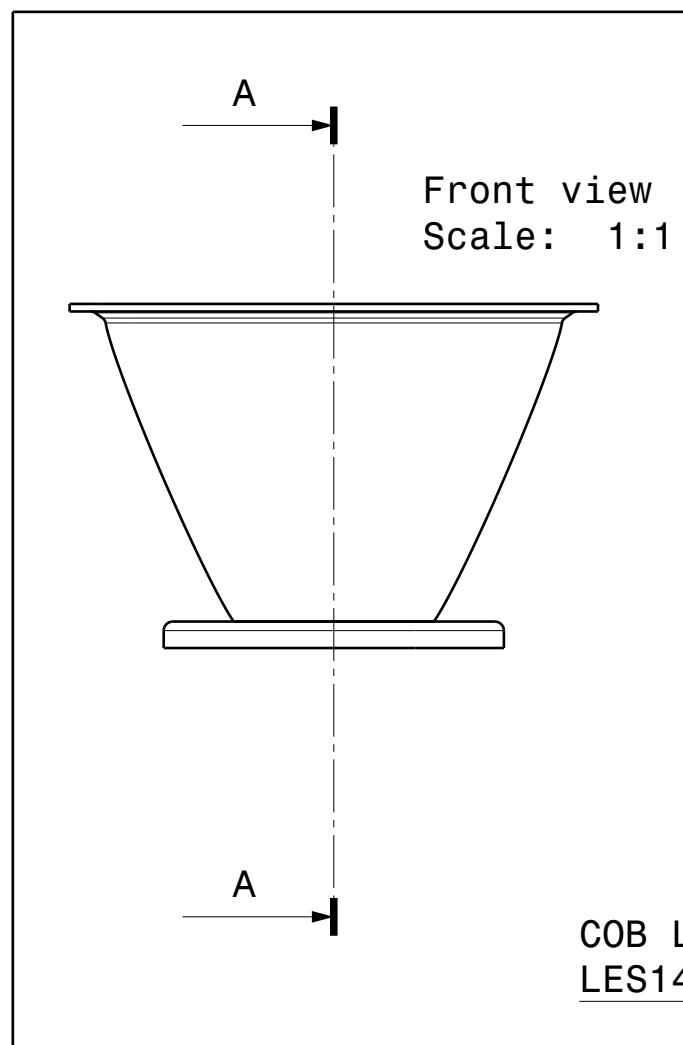
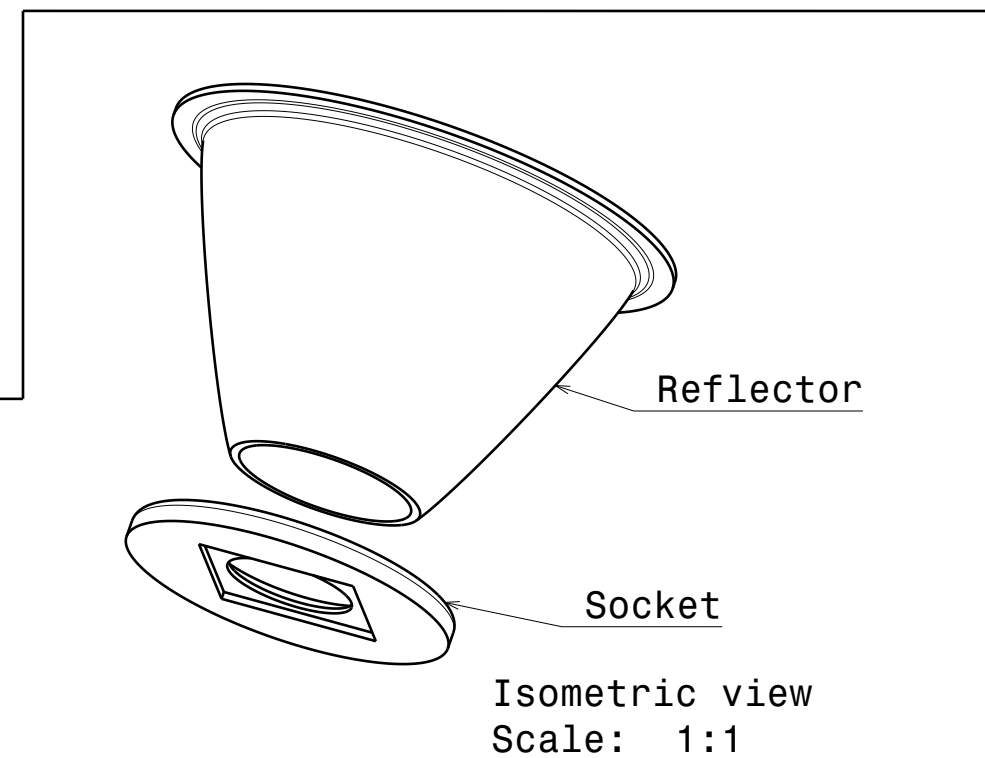
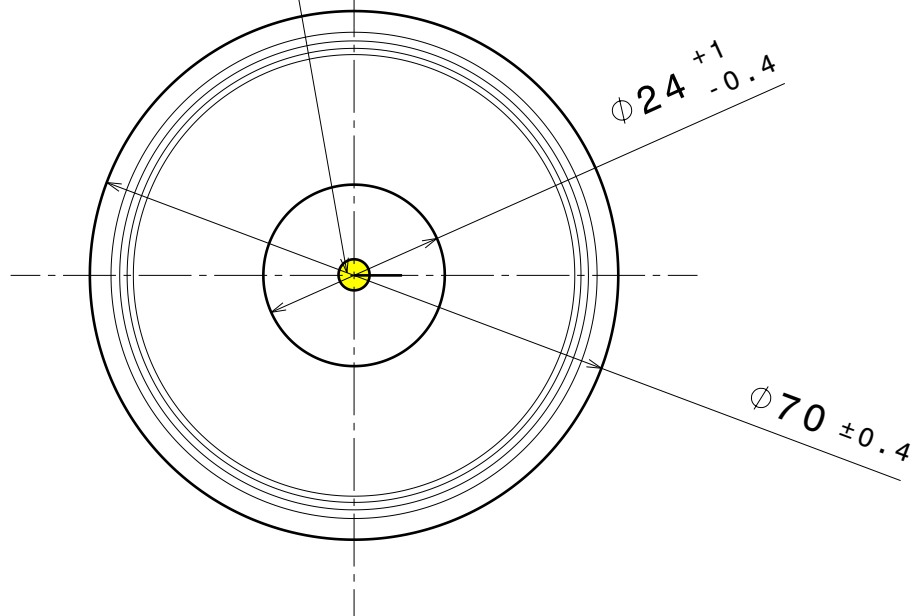


Front View  
Scale: 1:1



Optical center

Top view  
Scale: 1:1



COB LED  
LES14.5mm Range(10-14.5mm)

Detail  
Scale: 2:1

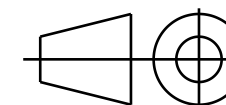
PART	TYPE	MATERIAL
C16903/C16904/C16905/C1696_ALISE-70	Reflector	Aluminium

**MECHANICAL DRAWING**

PRODUCT  
**ALISE**

Plastic moulding general tolerances according to DIN 16901-130 and applies if not otherwise shown in the drawing. Silicone moulding general tolerances according to ISO 3302-1 Class M3 and applies if not otherwise shown in the drawing.

FIRST ANGLE PROJECTION:



**LEDiL**®

This drawing is the property of LEDiL Oy. It may not be copied or otherwise distributed without prior written permission from LEDiL Oy.

SCALE	1:1	WEIGHT	A3	SHEET 1/1
-------	-----	--------	----	-----------

**Notes**

	PCB or heatsink level.
	LED location
	Ensure LED fitting from a product specific 3D model available from <a href="http://www.ledil.com">www.ledil.com</a>
	For more details about installation please see LEDiL Installation Guide on <a href="http://www.ledil.com">www.ledil.com</a>