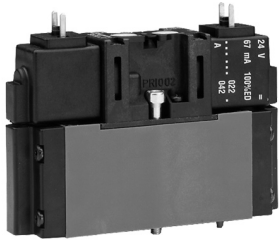


Valve terminal systems → Valve terminal systems according to standard

5/3-way valve, Series CD01-PA

- Qn = 650 - 750 l/min ► plate connection ► compressed air connection output: base plate DIN ISO 15407-1
 ► Electr. connection: Plug, EN 175301-803, form C ► free of substances that impair surface wetting in the coating process ► manual override: with detent, without detent



P576_504

Standards	ISO 15407-1, 26 mm
Version	Spool valve, zero overlap
Sealing principle	soft sealing
Working pressure min./max.	See table below
Ambient temperature min./max.	-15 °C / +50 °C
Medium temperature min./max.	-15 °C / +50 °C
Medium	Compressed air
Max. particle size	50 μm
Oil content of compressed air	0 mg/m ³ - 1 mg/m ³
Pneumatic ports	base plate DIN ISO 15407-1
version pneumatic port	according to ISO 15407-1 With collective pilot air exhaust
Connector standard	EN 175301-803, form C
Protection class according to EN 60529:2000, with electrical connector/plug	IP 65
Duty cycle	100 %
Mounting screw	M4 with hexagon socket
mounting screw tightening torque	2.5 Nm
Materials:	
Housing	Polyamide; Polyoxymethylene
Seals	Acrylonitrile Butadiene Rubber

Technical Remarks

- The pressure dew point must be at least 15 °C under ambient and medium temperature and may not exceed 3 °C.
- The oil content of air pressure must remain constant during the life cycle.
- Use only the approved oils from Bosch Rexroth, see chapter „Technical information“.
- Versions with voltage of less than 50 V DC do not have a protective ground

Operating voltage			Voltage tolerance			Power consumption	Switch-on power		Holding power	
DC	AC 50 Hz	AC 60 Hz	DC	AC 50 Hz	AC 60 Hz	DC	AC 50 Hz	AC 60 Hz	AC 50 Hz	AC 60 Hz
						W	VA	VA	VA	VA
24 V	-	-	-10% / +10%	-	-	1.6	-	-	-	-
24 V	-	-	-10% / +10%	-	-	2.06	-	-	-	-
-	110 V	110 V	-	-15% / +10%	-10% / +15%	-	4.2	3.4	3	2.4
-	24 V	24 V	-	-15% / +10%	-10% / +15%	-	3	2.6	2.2	1.85
-	230 V	230 V	-	-15% / +10%	-10% / +15%	-	3.2	2.8	2.3	2
12 V	-	-	-10% / +10%	-	-	1.6	-	-	-	-

Valve terminal systems → Valve terminal systems according to standard

5/3-way valve, Series CD01-PA

- Qn = 650 - 750 l/min ► plate connection ► compressed air connection output: base plate DIN ISO 15407-1
 ► Electr. connection: Plug, EN 175301-803, form C ► free of substances that impair surface wetting in the coating process ► manual override: with detent, without detent

	MO	Operating voltage			Qn		Working pressure min./max.	Control pressure min./max.	Switch-on time	Switch-off time		Note	Part No.	
		DC	AC 50 Hz	AC 60 Hz	1►2	2►3								
					[l/min]	[bar]	[bar]	[ms]	[ms]	[kg]				
		24 V	-	-	-	750	650	3 / 10	3 / 10	27	55	0.27	1)	5763800220
		24 V	-	-	-	750	650	3 / 10	3 / 10	27	55	0.27	1)	5763800620
	-	24 V	-	-	-	750	650	3 / 16	3 / 16	27	55	0.27	1); 3)	5763800920
		-	110 V	110 V	-	750	650	3 / 10	3 / 10	27	55	0.27	1)	5763805270
		-	110 V	110 V	-	750	650	3 / 10	3 / 10	27	55	0.27	1)	5763805670
		24 V	-	-	-	750	650	-0.95 / 16	3 / 10	27	55	0.27	2)	5763850220
		24 V	-	-	-	750	650	-0.95 / 16	3 / 10	27	55	0.27	2)	5763850620
		-	110 V	110 V	-	750	650	-0.95 / 16	3 / 10	27	55	0.27	2)	5763855270
		-	110 V	110 V	-	750	650	-0.95 / 16	3 / 10	27	55	0.27	2)	5763855670
		24 V	-	-	-	650	750	3 / 10	3 / 10	24	58	0.27	1)	5763810220
		24 V	-	-	-	650	750	3 / 10	3 / 10	24	58	0.27	1)	5763810620
	-	24 V	-	-	-	650	750	3 / 16	3 / 16	24	58	0.27	1); 3)	5763810920
		-	24 V 110 V	24 V 110 V	-	650	750	3 / 10	3 / 10	24	58	0.27	1)	5763815220 5763815270
		-	110 V	110 V	-	650	750	3 / 10	3 / 10	24	58	0.27	1)	5763815670
		-	230 V	230 V	-	650	750	3 / 10	3 / 10	24	58	0.27	1)	5763815280
		24 V	-	-	-	650	750	-0.95 / 16	3 / 10	24	58	0.27	2)	5763860220
		24 V	-	-	-	650	750	-0.95 / 16	3 / 10	24	58	0.27	2)	5763860620
		-	110 V	110 V	-	650	750	-0.95 / 16	3 / 10	24	58	0.27	2)	5763865270
		-	110 V	110 V	-	650	750	-0.95 / 16	3 / 10	24	58	0.27	2)	5763865670
		12 V 24 V	-	-	650	650	650	3 / 10	3 / 10	24	49	0.27	1)	5763820210 5763820220
		24 V	-	-	650	650	650	3 / 10	3 / 10	24	49	0.27	1)	5763820620

1) Pilot: internal

2) Pilot: external

3) Low power consumption

Nominal flow Qn at 6 bar and Δp = 1 bar

MO = Manual override

Valve terminal systems → Valve terminal systems according to standard

5/3-way valve, Series CD01-PA

- Qn = 650 - 750 l/min ► plate connection ► compressed air connection output: base plate DIN ISO 15407-1
 ► Electr. connection: Plug, EN 175301-803, form C ► free of substances that impair surface wetting in the coating process ► manual override: with detent, without detent

	MO	Operating voltage			Qn			Working pressure min./max.	Control pressure min./max.	Switch-on time	Switch-off time		Note	Part No.
		DC	AC 50 Hz	AC 60 Hz		1►2	2►3							
					[l/min]									
		-	110 V	110 V	650	650	650	3 / 10	3 / 10	24	49	0.27	1)	5763825270
		-	110 V	110 V	650	650	650	3 / 10	3 / 10	24	49	0.27	1)	5763825670
		-	230 V	230 V	650	650	650	3 / 10	3 / 10	24	49	0.27	1)	5763825280
		24 V	-	-	650	650	650	-0.95 / 16	3 / 10	24	49	0.27	2)	5763870220
		24 V	-	-	650	650	650	-0.95 / 16	3 / 10	24	49	0.27	2)	5763870620
		-	110 V	110 V	650	650	650	-0.95 / 16	3 / 10	24	49	0.27	2)	5763875270
		-	110 V	110 V	650	650	650	-0.95 / 16	3 / 10	24	49	0.27	2)	5763875670

1) Pilot: internal

2) Pilot: external

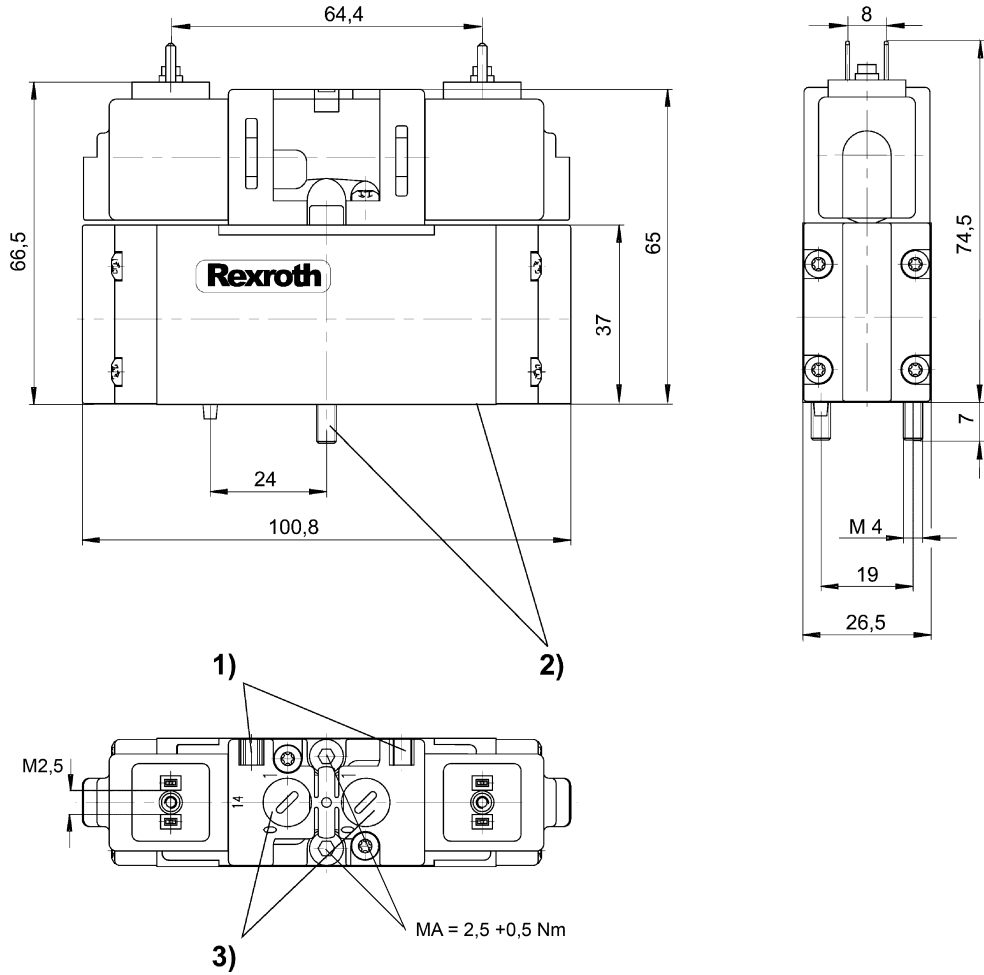
3) Low power consumption

Nominal flow Qn at 6 bar and $\Delta p = 1$ bar

MO = Manual override

Valve terminal systems → Valve terminal systems according to standard
5/3-way valve, Series CD01-PA

- ▶ $Q_n = 650 - 750 \text{ l/min}$ ▶ plate connection ▶ compressed air connection output: base plate DIN ISO 15407-1
- ▶ Electr. connection: Plug, EN 175301-803, form C ▶ free of substances that impair surface wetting in the coating process ▶ manual override: with detent, without detent

Dimensions


D576_399

1) mounting space for name plate 2) screws and seals captive 3) manual override