

Directional valves → Electrically operated

5/3-way valve, Series TC08

► Qn = 700 l/min ► pipe connection ► compressed air connection output: G 1/8 ► Electr. connection: Plug, M8, 3-pin ► manual override: with detent



00120255

Version	Spool valve, zero overlap
Sealing principle	soft sealing
Mounting on manifold strip	P-strip
Working pressure min./max.	See table below
Control pressure min./max.	3 bar / 10 bar
Ambient temperature min./max.	-10 °C / +50 °C
Medium temperature min./max.	-10 °C / +50 °C
Medium	Compressed air
Max. particle size	5 µm
Oil content of compressed air	0 mg/m³ - 5 mg/m³
Connector standard	EN 61076-2-101
Protection class according to EN 60529:2000 with electrical connector/plug	IP 65
Status display LED	Yellow
Duty cycle	100 %
Switch-on time	11 ms
Switch-off time	11 ms
mounting screw tightening torque	2 Nm
Materials:	
Housing	Polyamide, fiber-glass reinforced
Seals	Acrylonitrile Butadiene Rubber; Polyurethane
Front plate	Polyamide, fiber-glass reinforced

Technical Remarks

- The pressure dew point must be at least 15 °C under ambient and medium temperature and may not exceed 3 °C.
- The oil content of air pressure must remain constant during the life cycle.
- Use only the approved oils from Bosch Rexroth, see chapter „Technical information“.

Operating voltage	Voltage tolerance	Power consumption
DC	DC	DC
		W
24 V	-10% / +10%	2.2

	MO	Compressed air connection			Operating voltage	Flow conductance		Flow rate value	Working pressure min./max.	Weight	Part No.
		Input	Output	Exhaust		b	C				
					DC	[l/(s*bar)]	[l/min]	[bar]	[kg]		
		G 1/8	G 1/8	G 1/8	24 V	0.34	3	700	3 / 10	0.178	R422100974
		G 1/8	G 1/8	G 1/8	24 V	0.34	3	700	-0.9 / 10	0.178	R422100975
		G 1/8	G 1/8	G 1/8	24 V	0.34	3	700	3 / 10	0.178	R422100976
		G 1/8	G 1/8	G 1/8	24 V	0.34	3	700	-0.9 / 10	0.178	R422100977

Directional valves → Electrically operated**5/3-way valve, Series TC08**

► Qn = 700 l/min ► pipe connection ► compressed air connection output: G 1/8 ► Electr. connection: Plug, M8, 3-pin ► manual override: with detent

	MO	Compressed air connection			Operating voltage	Flow conductance		Flow rate value	Working pressure min./max.	Weight	Part No.	
		Input	Output	Exhaust		DC	b					C
							[l/(s*bar)]					[l/min]
		G 1/8	G 1/8	G 1/8	24 V	0.34	3	700	3 / 10	0.178	R422100978	
		G 1/8	G 1/8	G 1/8	24 V	0.34	3	700	-0.9 / 10	0.178	R422100979	
Part No.	Note											
R422100974	1)											
R422100975	2)											
R422100976	1)											
R422100977	2)											
R422100978	1)											
R422100979	2)											

MO = Manual override

1) Pilot: internal

2) Pilot: external

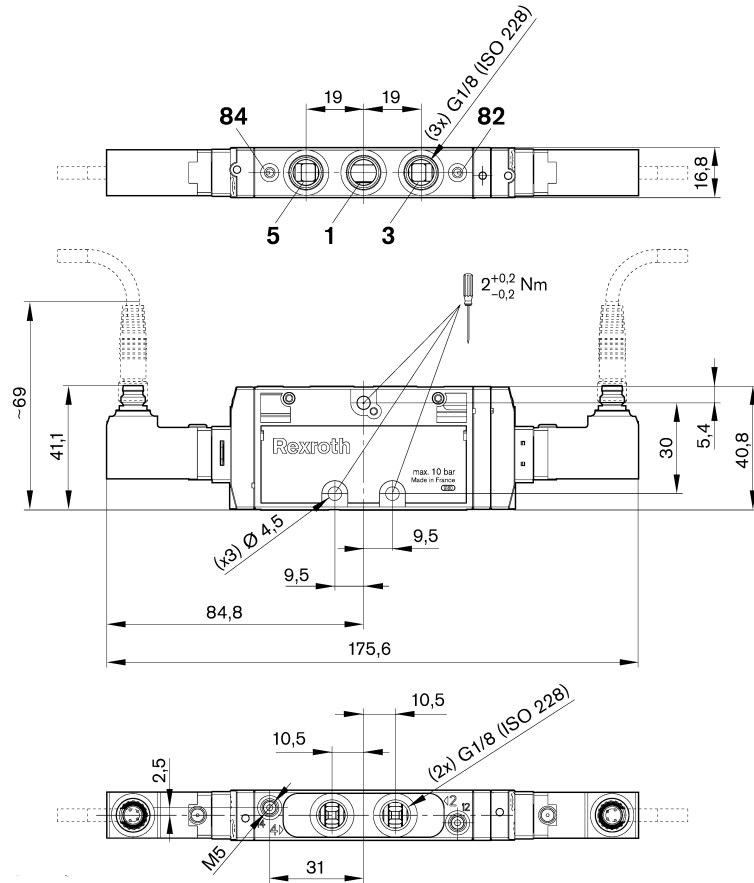
Nominal flow Qn at 6 bar and $\Delta p = 1$ bar

Directional valves → Electrically operated

5/3-way valve, Series TC08

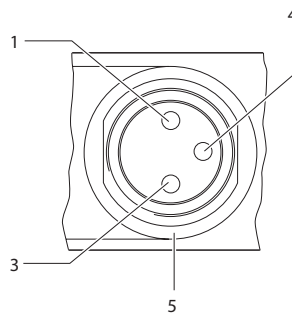
► $Q_n = 700 \text{ l/min}$ ► pipe connection ► compressed air connection output: G 1/8 ► Electr. connection: Plug, M8, 3-pin ► manual override: with detent

Dimensions



00111979_b

PIN assignment for electrical connector



00125554

Pin assignment:

- 1) Pin not assigned
- 3) 0 V
- 4) 24 V
- 5) LED

Note: Bi-polar protective circuit to prevent overvoltage