

Directional valves → Electrically operated

5/2-way valve, Series TC08

► Qn = 800 l/min ► pipe connection ► compressed air connection output: G 1/8 ► Electr. connection: Plug, M8, 3-pin ► manual override: with detent ► single solenoid, double solenoid



00120252

Version	Spool valve, zero overlap
Sealing principle	soft sealing
Mounting on manifold strip	P-strip
Working pressure min./max.	See table below
Control pressure min./max.	See table below
Ambient temperature min./max.	-10 °C / +50 °C
Medium temperature min./max.	-10 °C / +50 °C
Medium	Compressed air
Max. particle size	5 µm
Oil content of compressed air	0 mg/m³ - 5 mg/m³
Connector standard	EN 61076-2-101
Protection class according to EN 60529:2000 with electrical connector/plug	IP 65
Status display LED	Yellow
Duty cycle	100 %
mounting screw tightening torque	2 Nm
Materials:	
Housing	Polyamide, fiber-glass reinforced
Seals	Acrylonitrile Butadiene Rubber; Polyurethane
Front plate	Polyamide, fiber-glass reinforced

Technical Remarks

- The pressure dew point must be at least 15 °C under ambient and medium temperature and may not exceed 3 °C.
- The oil content of air pressure must remain constant during the life cycle.
- Use only the approved oils from Bosch Rexroth, see chapter „Technical information“.

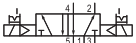
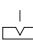
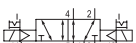

Operating voltage	Voltage tolerance	Power consumption	
		DC	W
DC	DC	DC	
24 V	-10% / +10%		2.2

	MO	Compressed air connection			Operating voltage	Flow conductance		Flow rate value	Working pressure min./max.	Control pressure min./max.	Part No.
		Input	Output	Exhaust		b	C				
							[l/(s*bar)]				
		G 1/8	G 1/8	G 1/8	24 V	0.36	3.5	800	2.5 / 10	2.5 / 10	R422100968
		G 1/8	G 1/8	G 1/8	24 V	0.36	3.5	800	-0.9 / 10	2.5 / 10	R422100969
		G 1/8	G 1/8	G 1/8	24 V	0.36	3.5	800	3 / 10	3 / 10	R422100970
		G 1/8	G 1/8	G 1/8	24 V	0.36	3.5	800	-0.9 / 10	3 / 10	R422100971

Directional valves → Electrically operated

5/2-way valve, Series TC08

► $Q_n = 800$ l/min ► pipe connection ► compressed air connection output: G 1/8 ► Electr. connection: Plug, M8, 3-pin ► manual override: with detent ► single solenoid, double solenoid

	MO	Compressed air connection			Operating voltage	Flow conductance		Flow rate value	Working pressure min./max.	Control pressure min./max.	Part No.	
		Input	Output	Exhaust		DC	b					C
												[l/(s*bar)]
		G 1/8	G 1/8	G 1/8	24 V	0.36	3.5	800	2 / 10	2 / 10	R422100972	
		G 1/8	G 1/8	G 1/8	24 V	0.36	3.5	800	-0.9 / 10	2 / 10	R422100973	
Part No.	Switch-on time		Switch-off time		Weight		Note					
	[ms]		[ms]		[kg]							
R422100968	17		22		0.14		1)					
R422100969	17		22		0.14		2)					
R422100970	12		16		0.14		1)					
R422100971	12		16		0.14		2)					
R422100972	9		9		0.172		1)					
R422100973	9		9		0.172		2)					

MO = Manual override

1) Pilot: internal

2) Pilot: external

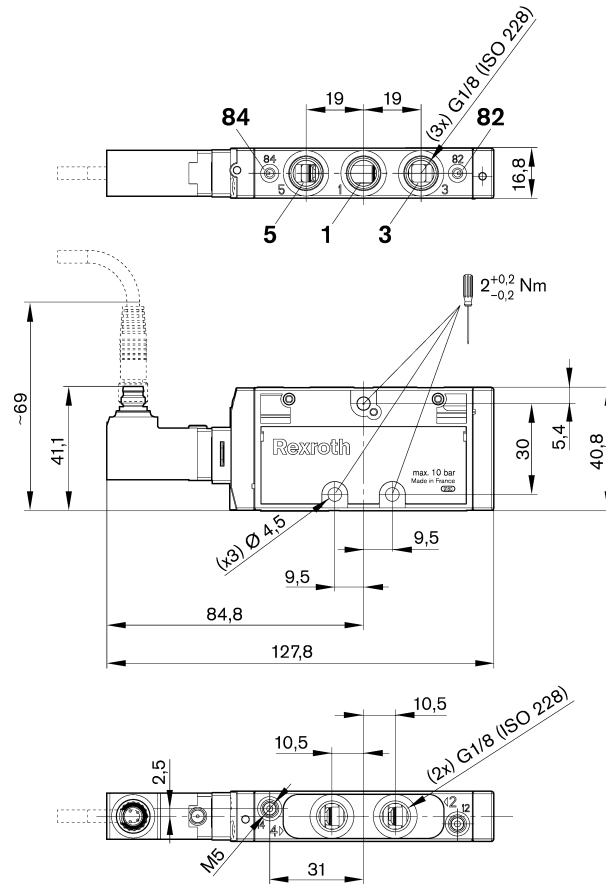
Nominal flow Q_n at 6 bar and $\Delta p = 1$ bar

Directional valves → Electrically operated

5/2-way valve, Series TC08

► $Q_n = 800 \text{ l/min}$ ► pipe connection ► compressed air connection output: G 1/8 ► Electr. connection: Plug, M8, 3-pin ► manual override: with detent ► single solenoid, double solenoid

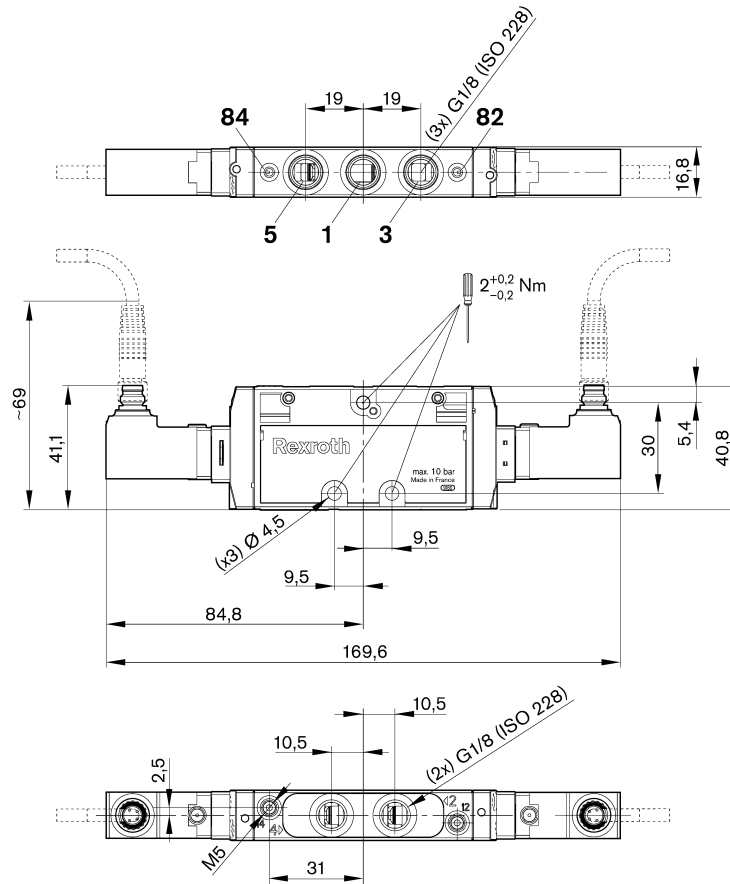
Dimensions, single solenoid



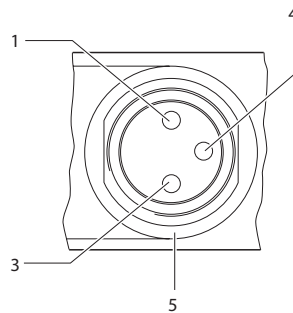
00111977_a

Directional valves → Electrically operated
5/2-way valve, Series TC08

► $Q_n = 800 \text{ l/min}$ ► pipe connection ► compressed air connection output: G 1/8 ► Electr. connection: Plug, M8, 3-pin ► manual override: with detent ► single solenoid, double solenoid

Dimensions, double solenoid


00111978_a

PIN assignment for electrical connector


00125554

Pin assignment:
 1) Pin not assigned
 3) 0 V
 4) 24 V
 5) LED

Note: Bi-polar protective circuit to prevent overvoltage