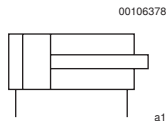


## Piston rod cylinders → Standard cylinders

**Mini cylinder, ISO 6432, series MNI**

► Ø 10 - 25 mm ► Ports: M5 - G 1/8 ► double-acting ► cushioning: elastic ► with integrated rear eye ► piston rod: external thread ► ATEX optional



Standards	ISO 6432
Compressed air connection	internal thread
Working pressure min./max.	1 bar / 10 bar
Ambient temperature min./max.	-25 °C / +80 °C
Medium temperature min./max.	-25 °C / +80 °C
Medium	Compressed air
Max. particle size	5 µm
Oil content of compressed air	0 mg/m <sup>3</sup> - 5 mg/m <sup>3</sup>
Pressure for determining piston forces	6,3 bar

Materials:	
Cylinder tube	Stainless steel
Piston rod	Stainless steel
Piston	Brass
Front cover	Aluminum, anodized
End cover	Aluminum anodized
Seal	Acrylonitrile Butadiene Rubber; Polyurethane
Nut for cylinder mounting	Steel, galvanized
Nut for piston rod	Steel, galvanized
Scraper	Acrylonitrile Butadiene Rubber

**Technical Remarks**

- The pressure dew point must be at least 15 °C under ambient and medium temperature and may not exceed 3 °C.
- The oil content of air pressure must remain constant during the life cycle.
- Use only the approved oils from Bosch Rexroth, see chapter „Technical information“.
- ATEX-certified cylinders are available at Bosch Rexroth sales centres
- ATEX ID: II 2G2D c IIB T4 X -25 °C ≤ Ta ≤ 50 °C
- For ATEX-certified cylinders, the temperature range specified in the header does not apply. See the ATEX ID.

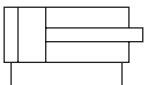
Piston Ø		[mm]	10	12	16	20	25
Retracting piston force		[N]	41	53	108	165	255
Extending piston force		[N]	49	71	126	195	305
Weight	0 mm stroke	[kg]	0.034	0.063	0.082	0.135	0.233
	+10 mm stroke	[kg]	0.0024	0.0046	0.0055	0.009	0.013
Stroke max.		[mm]	250	600	800	1300	1500
Note			1)	1)	1)	1)	1)

1) Material front cover: Aluminum

## Piston rod cylinders → Standard cylinders

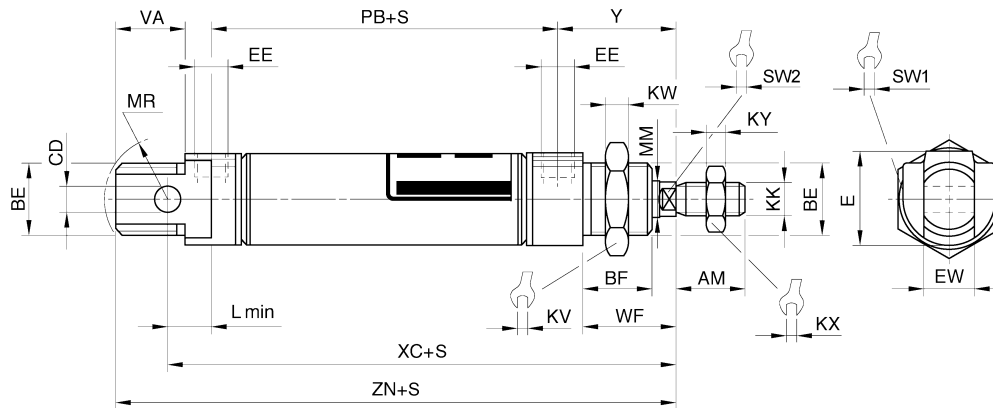
## Mini cylinder, ISO 6432, series MNI

► Ø 10 - 25 mm ► Ports: M5 - G 1/8 ► double-acting ► cushioning: elastic ► with integrated rear eye ► piston rod: external thread ► ATEX optional

Piston Ø Piston rod thread Ports Piston rod Ø Cylinder outer thread	10	12	16	20	25	
	M4 M5 4 M12x1,25	M6 M5 6 M16x1,5	M6 M5 6 M16x1,5	M8 G 1/8 8 M22x1,5	M10x1,25 G 1/8 10 M22x1,5	
	Stroke 10	<b>0822030201</b>	<b>0822031201</b>	<b>0822032201</b>	<b>0822033201</b>	<b>0822034201</b>
	25	<b>0822030202</b>	<b>0822031202</b>	<b>0822032202</b>	<b>0822033202</b>	<b>0822034202</b>
	50	<b>0822030203</b>	<b>0822031203</b>	<b>0822032203</b>	<b>0822033203</b>	<b>0822034203</b>
	80	<b>0822030204</b>	<b>0822031204</b>	<b>0822032204</b>	<b>0822033204</b>	<b>0822034204</b>
	100	<b>0822030205</b>	<b>0822031205</b>	<b>0822032205</b>	<b>0822033205</b>	<b>0822034205</b>
	125	-	<b>0822031206</b>	<b>0822032206</b>	<b>0822033206</b>	<b>0822034206</b>
	160	-	<b>0822031207</b>	<b>0822032207</b>	<b>0822033207</b>	<b>0822034207</b>
	200	-	-	<b>0822032208</b>	<b>0822033208</b>	<b>0822034208</b>
	250	-	-	-	<b>0822033209</b>	<b>0822034209</b>
	320	-	-	-	<b>0822033210</b>	<b>0822034210</b>
	400	-	-	-	-	<b>0822034211</b>
	500	-	-	-	-	<b>0822034212</b>

other versions can be ordered from Bosch Rexroth sales offices

## Dimensions



00106425\_b

S = stroke

Piston Ø	AM -2	BE	BF	CD H9	E	EE	EW d13	KK	KV	KW	KX	KY
10	12	M12x1,25	11	4	14	M5 t=5	8	M4	17	5.5	7	2.2
12	16	M16x1,5	16	6	19	M5 t=5	12	M6	22	6	10	3.2
16	16	M16x1,5	16	6	19	M5 t=5	12	M6	22	6	10	3.2
20	20	M22x1,5	18	8	28	G 1/8 t=8	16	M8	30	7	13	4
25	22	M22x1,5	21	8	28	G 1/8 t=8	16	M10x1,25	30	7	17	6

Piston Ø	L	MM f8	MR	PB ±1	VA	WF ±1,2	XC ±1	Y ±1	ZN ±1,4	SW 1	SW 2
10	6	4	12	37	11	16	64	21	73.5	13	3
12	9	6	16	41	16	22	75	27	88.5	19	5
16	9	6	16	47	17	22	82	27	95.5	19	5
20	12	8	18	51	19	24	95	32	109.5	28	6
25	12	10	19	55	21	28	104	36	119.5	28	8

t = depth of thread